

# DC Cross Flow Fans MFD Series Impeller Length 150 mm



### With Alarm

- Operating Ambient Temperature:  $-10 \sim +60^{\circ}\text{C}$
- Operating Voltage Range:  $\pm 10\%$  (Applies to each voltage)
- Materials
  - Motor Case: Die cast aluminum
  - Casing: Steel
  - Impeller: Aluminum
- Overheat Protection: Built-in overheat protection circuit
- Bearings: Ball bearings

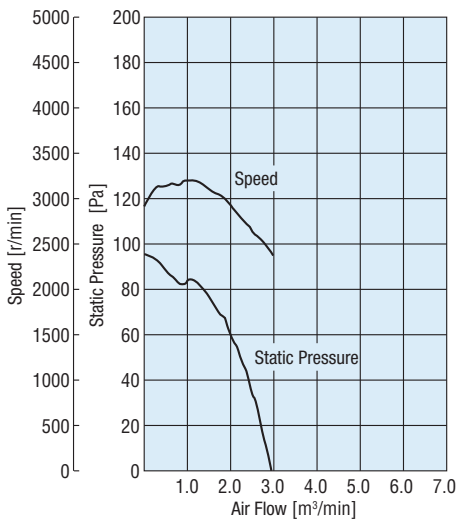
## Specifications (RoHS)

Product Name	Voltage VDC	Current A	Speed r/min	Maximum Air Flow $\text{m}^3/\text{min}$	Maximum Static Pressure Pa	Noise Level dB (A)
Standard Type	24	1.0	2500	3.0	98	60
	48	0.7	2500	3.0	98	60
Low-Speed Alarm, Contact Alarm Type <Alarm Specifications: (7)>	24	1.0	2500	3.0	98	60
<b>MFD915B-48</b>						
<b>MFD915-24A</b>						
<b>MFD915B-24A</b>						

Alarm specifications (7) → Page F-17

The following items are included in each product.  
Fan, Operating Manual

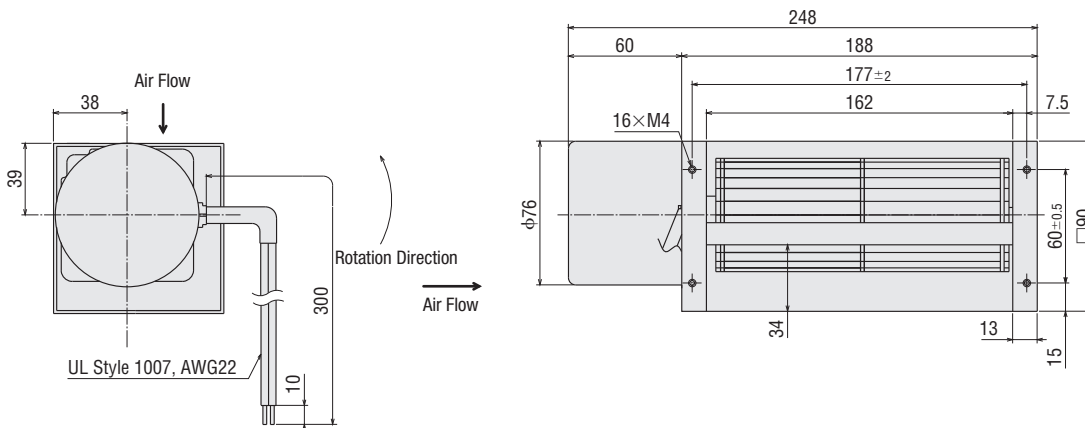
## Air Flow – Static Pressure Characteristics



## Dimensions (Unit = mm)

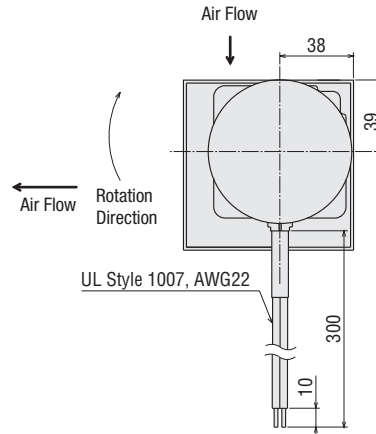
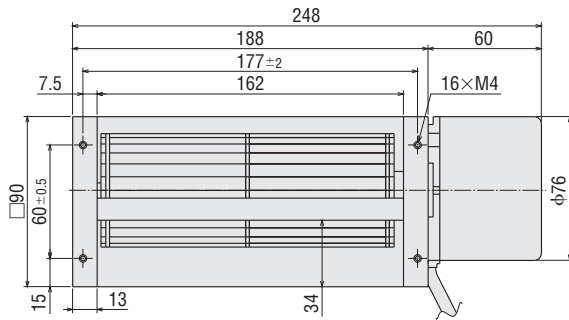
### ●MFD915

Mass: 1.4 kg

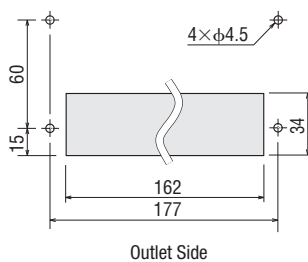


## ● MFD915B

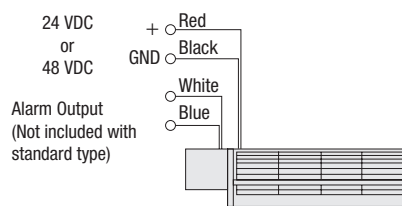
Mass: 1.4 kg



## ■ Panel Cut-Out (Unit = mm)



## ■ Connection Diagram



## ■ Accessories

Product	Product Name	Page
Finger Guard	<b>FG915D</b>	F-120

## Details of Pulse Sensor Type

Detailed information for the **MFD** Series pulse sensor type\* is not listed in this catalogue, but this series is available for sale.

Please contact the nearest Oriental Motor sales office.

\*Two pulses are output each rotation of the fan. Fan speed is monitored as the host controller, etc., reads the output pulses. This function helps you set a desired output speed for alarm activation.

Product Name
<b>MFD915-48S</b>
<b>MFD915B-48S</b>

# DC Cross Flow Fans

## MFD Series

### Impeller Length 300 mm



With Alarm

Operating Ambient Temperature: -10~+60°C  
 Operating Voltage Range: ±10% (Applies to each voltage)  
 Materials  
 Motor Case: Die cast aluminum  
 Casing: Steel  
 Impeller: Aluminum  
 Overheat Protection: Built-in overheat protection circuit  
 Bearings: Ball bearings

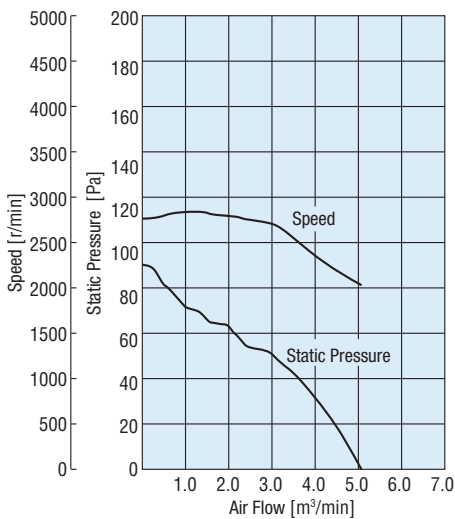
### Specifications **(RoHS)**

Product Name	Voltage VDC	Current A	Speed r/min	Maximum Air Flow m <sup>3</sup> /min	Maximum Static Pressure Pa	Noise Level dB (A)
Standard Type	24	1.0	2100	5.2	83	60
	48	0.7	2100	5.2	83	60
Low-Speed Alarm, Contact Alarm Type <Alarm Specifications: ⑦>	24	1.0	2100	5.2	83	60
						MFD930B-24A

● Alarm specifications ⑦ → Page F-17

The following items are included in each product.  
 Fan, Operating Manual

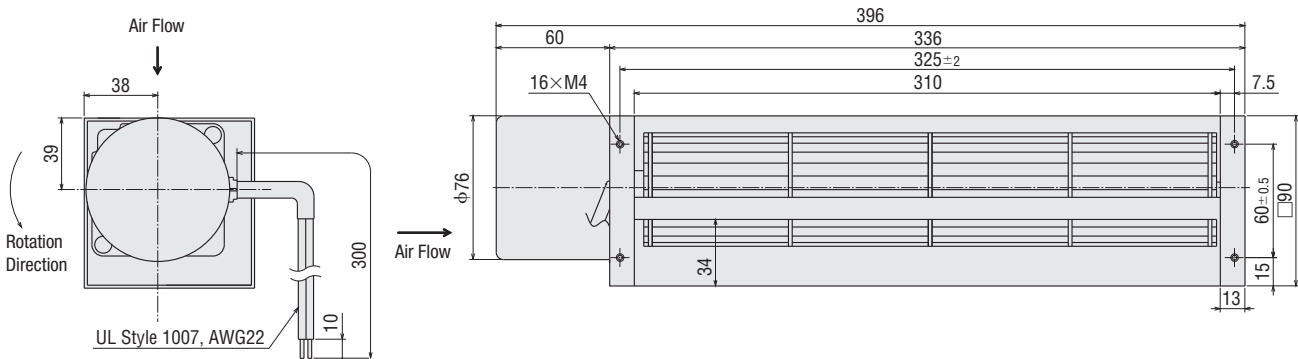
### Air Flow – Static Pressure Characteristics



### Dimensions (Unit = mm)

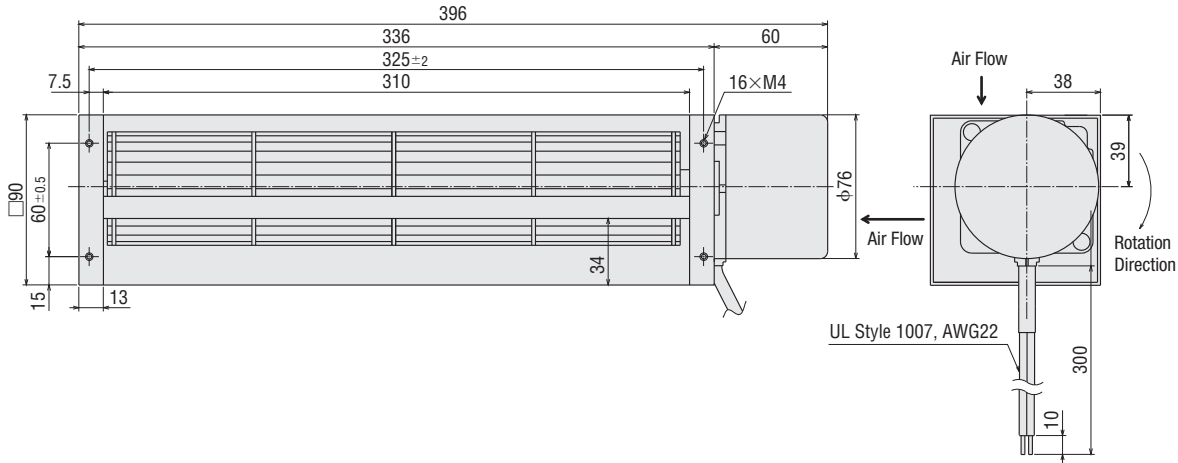
#### ● MFD930

Mass: 1.6 kg

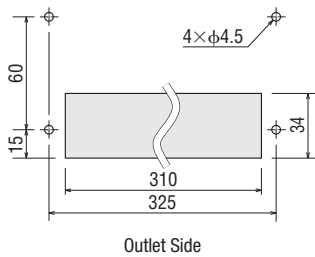


## ● MFD930B

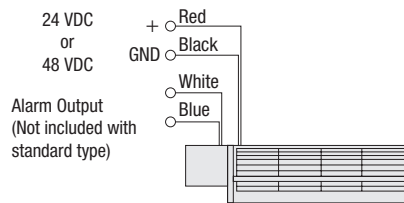
Mass: 1.6 kg



### ■ Panel Cut-Out (Unit = mm)



### ■ Connection Diagram



### ■ Accessories

Product	Product Name	Page
Finger Guard	<b>FG930D</b>	F-120

Introduction

AC Input  
MU

AC Input  
MRS

Axial Flow Fans  
DC Input  
MDS-MD

DC Input  
Low-Speed Alarm  
MDA

DC Input  
Long-life  
MDE

AC Input  
High-Efficiency  
MBS

Centrifugal Blowers  
AC Input  
MB

DC Input  
MBD

Cross Flow Fans  
AC Input  
MF

DC Input  
MFD

Accessories

Installation

### Details of Pulse Sensor Type

Detailed information for the **MFD** Series pulse sensor type\* is not listed in this catalogue, but this series is available for sale.

Please contact the nearest Oriental Motor sales office.

\*Two pulses are output each rotation of the fan. Fan speed is monitored as the host controller, etc., reads the output pulses. This function helps you set a desired output speed for alarm activation.

Product Name
<b>MFD930-48S</b>
<b>MFD930B-48S</b>