

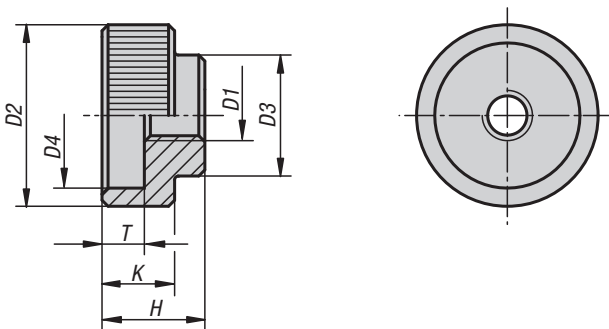


## Knurled nuts

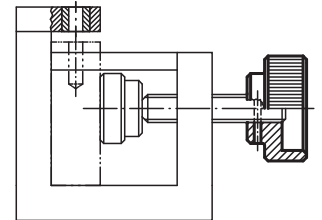
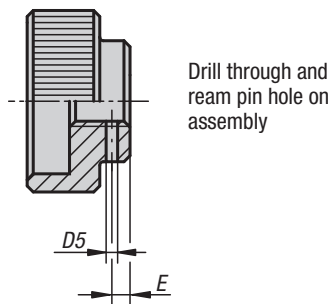
steel and stainless steel, DIN 6303



Form A  
without pin hole



Form B  
with pin hole



**Material:**

Free-cutting steel 1.0718.  
Stainless steel 1.4305.

**Version:**

Free-cutting steel, black oxidised.  
Stainless steel bright.

**Sample order:**

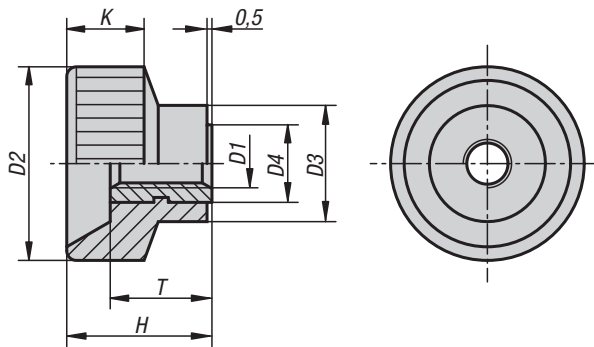
K0137.108

### KIPP Knurled nuts, steel and stainless steel, DIN 6303

Order No.	Form	Material	D1	D2	D3	D4	D5 predrilled	E	H	K	T	suitable dowel pin ISO 2338
K0137.105	A	steel	M5	20	14	15	-	-	12	8	5	-
K0137.106	A	steel	M6	24	16	18	-	-	14	10	6	-
K0137.108	A	steel	M8	30	20	24	-	-	17	12	7	-
K0137.110	A	steel	M10	36	28	30	-	-	20	14	8	-
K0137.112	A	steel	M12	40	32	34	-	-	24	16	10	-
K0137.1052	A	stainless steel	M5	20	14	15	-	-	12	8	5	-
K0137.1062	A	stainless steel	M6	24	16	18	-	-	14	10	6	-
K0137.1082	A	stainless steel	M8	30	20	24	-	-	17	12	7	-
K0137.1102	A	stainless steel	M10	36	28	30	-	-	20	14	8	-
K0137.1122	A	stainless steel	M12	40	32	34	-	-	24	16	10	-
K0137.205	B	steel	M5	20	14	15	1,4	2,5	12	8	5	1,5 m6 x 14
K0137.206	B	steel	M6	24	16	18	1,4	2,5	14	10	6	1,5 m6 x 16
K0137.208	B	steel	M8	30	20	24	1,9	3	17	12	7	2 m6 x 20
K0137.210	B	steel	M10	36	28	30	2,9	4	20	14	8	3 m6 x 28
K0137.212	B	steel	M12	40	32	34	3,9	4	24	16	10	4 m6 x 32

## Knurled nuts

plastic



**Material:**  
Black Duroplast PF 31.  
Tapped bush brass.

**Version:**  
Tapped bush nickel-plated.

**Sample order:**  
K0138.08

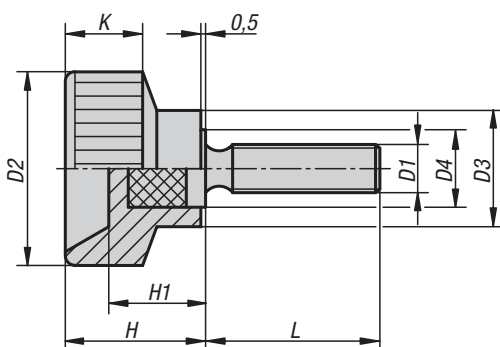
### KIPP Knurled nuts plastic

Order No.	D1	D2	D3	D4	H	K	T
K0138.04	M4	18	10	7	13	8	9
K0138.05	M5	20	12	8	14	8	10
K0138.06	M6	24	13	9	16	9	10
K0138.08	M8	30	15	11	18	11	11
K0138.10	M10	35	18	14	19	12	11

# K0141

## Knurled screws

plastic



**Material:**  
Black Duroplast PF 31.  
Screw steel.

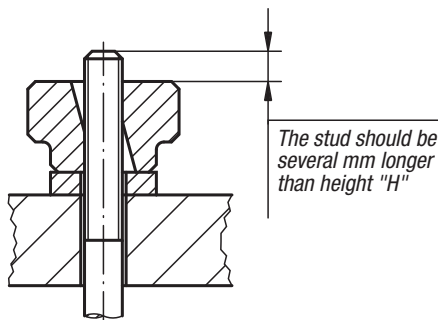
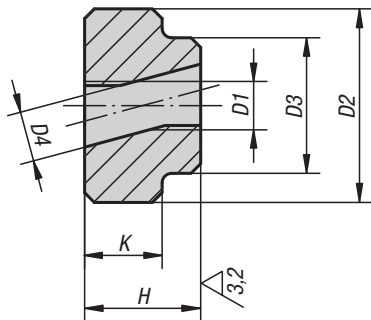
**Version:**  
Screw galvanized.

**Sample order:**  
K0141.05X25 (include length L)

### KIPP Knurled screws, plastic

Order No.	L	D1	D2	D3	D4	H	H1	K
K0141.04X	15/20	M4	18	10	7	13,5	9	8
K0141.05X	10/18/25	M5	20	12	8	14,5	10	8
K0141.06X	20/28	M6	24	13	10	15	9,5	9
K0141.08X	25/32	M8	30	15	12	18	11	11
K0141.10X	30	M10	35	18	14	18,5	11	12

## Knurled nuts quick-acting

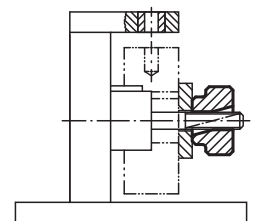


**Material:**  
Carbon steel.

**Version:**  
Tempered and black oxidised.

**Sample order:**  
K0139.08

**Note:**  
Quick-acting knurled nuts are mainly used in applications where no high clamping pressures are required.  
Tilt the nut to slide on, then straighten it to engage the threads.

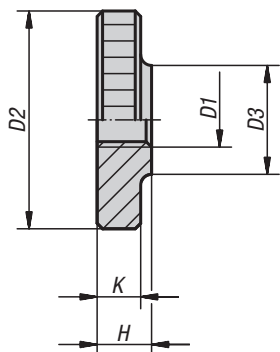


### KIPP Knurled nuts quick-acting

Order No.	D1	D2	D3	D4	H	K
K0139.05	M5	20	14	5,2	12	8
K0139.06	M6	24	16	6,2	14	10
K0139.08	M8	30	20	8,2	17	12
K0139.10	M10	36	28	10,3	20	14
K0139.12	M12	40	32	12,3	24	16

## Knurled nuts flat

steel and stainless steel, DIN 467



### KIPP Knurled nuts flat, steel and stainless steel, DIN 467

Order No. steel	Order No. stainless steel	D1	D2	D3	H	K
K0144.04	K0144.042	M4	16	8	4	3,5
K0144.05	K0144.052	M5	20	10	5	4
K0144.06	K0144.062	M6	24	12	6	5
K0144.08	K0144.082	M8	30	16	8	6
K0144.10	K0144.102	M10	36	20	10	8
K0144.12	K0144.122	M12	36	20	10	8



**Material:**

Free-cutting steel 1.0718.  
Stainless steel 1.4305.

**Version:**

Steel black oxidised.  
Stainless steel bright.

**Sample order:**

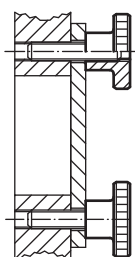
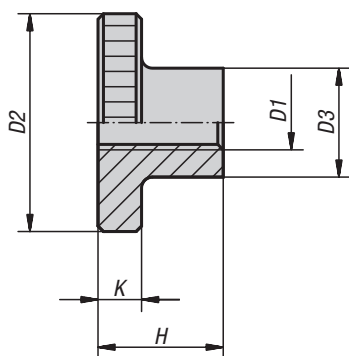
K0144.042

**Note:**

M12 flat knurled nuts are not included in the official standards sheet.

## Knurled nuts high form

steel and stainless steel, DIN 466



**Material:**

Free-cutting steel 1.0718.  
Stainless steel 1.4305.

**Version:**

Steel black oxidised.  
Stainless steel bright.

**Sample order:**

K0143.04

**Note:**

M12 high knurled nuts are not included in the official standards sheet.

### KIPP High form knurled nuts, steel and stainless steel, DIN 466

Order No. steel	Order No. stainless steel	D1	D2	D3	H	K
K0143.04	K0143.042	M4	16	8	9,5	3,5
K0143.05	K0143.052	M5	20	10	11,5	4
K0143.06	K0143.062	M6	24	12	15	5
K0143.08	K0143.082	M8	30	16	18	6
K0143.10	K0143.102	M10	36	20	23	8
K0143.12	K0143.122	M12	36	20	23	8

## Knurled screws high

steel and stainless steel, DIN 464

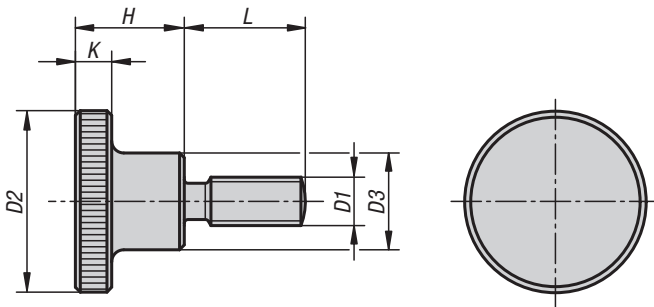


**Material:**  
Free-cutting steel 1.0718.  
Stainless steel 1.4305.

**Version:**  
Free-cutting steel, black oxidised.  
Stainless steel bright.

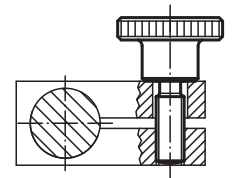
**Sample order:**  
K0140.06X20 (include length L)

**Note:**  
\* By these lengths the thread has no undercut at the shoulder.



### KIPP Knurled screws high, steel and stainless steel, DIN 464

Order No. steel	Order No. stainless steel	D1	D2	D3	L	H	K
K0140.04X	K0140.042X	M4	16	8	10/16/20*	9,5	3,5
K0140.05X	K0140.052X	M5	20	10	10/16/20*	11,5	4
K0140.06X	K0140.062X	M6	24	12	10/16/20/25*	15	5
K0140.08X	K0140.082X	M8	30	16	16/20/25/30*	18	6
K0140.10X	K0140.102X	M10	36	20	20/25/30/40*	23	8



## Knurled knobs

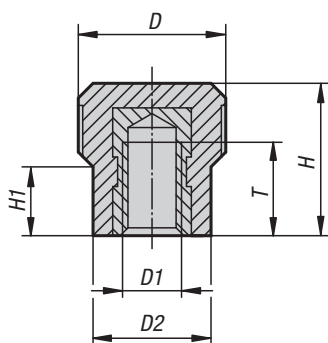


**Material:**  
Duroplastic PF 31, black.  
Bushing brass.

**Version:**  
High-gloss polished.

**Sample order:**  
K0142.11203

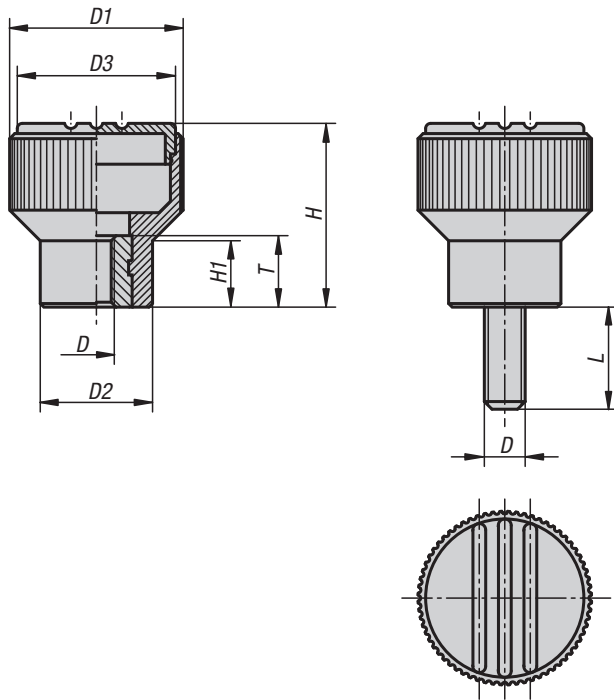
**On request:**  
Other colours.



### KIPP Knurled knobs

Order No.	D	D1	D2	H	H1	T
K0142.11203	12	M3	10	13,5	6	6,5
K0142.11204	12	M4	10	13,5	6	10
K0142.11504	15	M4	12	15,5	7	10
K0142.11505	15	M5	12	15,5	7	10
K0142.11506	15	M6	12	15,5	7	9

## Knurled knobs



These handy knurled knobs are amazing: optimal ergonomics, raised edge serrations and an optimized design continually open new markets and increase the aesthetic and safety related profile of every product.

**Material:**

Thermoplastic, black grey.  
Bush and threaded pin steel 5.8 or stainless steel 1.4305.

**Version:**

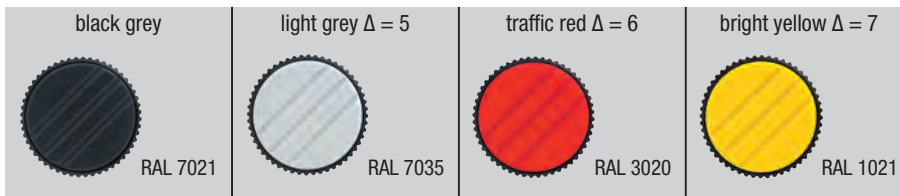
Blue-chromed steel or bright stainless steel.

**Sample order:**

K0247.01056X20  
(Cap colour traffic red. Include length L)

**Note:**

Δ Add the desired cap colour here. No colour code is required for black grey caps.



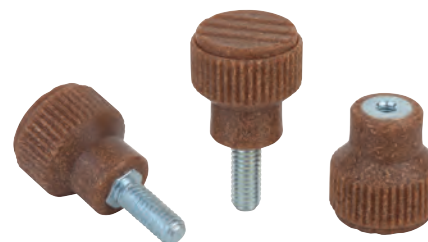
### KIPP Knurled knobs with internal thread

Order No. bush steel	Order No. bush stainless steel	Size	D	D1	D2	D3	H	H1	T
K0247.104Δ	K0247.0104Δ	1	M4	21	14	19	22	8	10
K0247.105Δ	K0247.0105Δ	1	M5	21	14	19	22	8	10
K0247.106Δ	K0247.0106Δ	1	M6	21	14	19	22	8	10
K0247.208Δ	K0247.0208Δ	2	M8	26	18	23	26	9,5	14
K0247.308Δ	K0247.0308Δ	3	M8	34	22	31	36	13	14
K0247.310Δ	K0247.0310Δ	3	M10	34	22	31	36	13	14

### KIPP Knurled knobs with external thread

Order No. screw steel	Order No. screw stainless steel	Size	D	D1	D2	D3	H	H1	L
K0247.105ΔX	K0247.0105ΔX	1	M5	21	14	19	22	8	10/12/15/20/25
K0247.106ΔX	K0247.0106ΔX	1	M6	21	14	19	22	8	15/20/25/30
K0247.208ΔX	K0247.0208ΔX	2	M8	26	18	23	26	9,5	20/25/30/40
K0247.310ΔX	K0247.0310ΔX	3	M10	34	22	31	36	13	20/30/40

## Knurled knobs biopolymer



**Material:**

Biopolymer, beech.  
Bush or threaded pin steel 5.8

**Version:**

Steel blue chromed.  
Natural beech with beech fibres or coloured black grey.

**Sample order:**

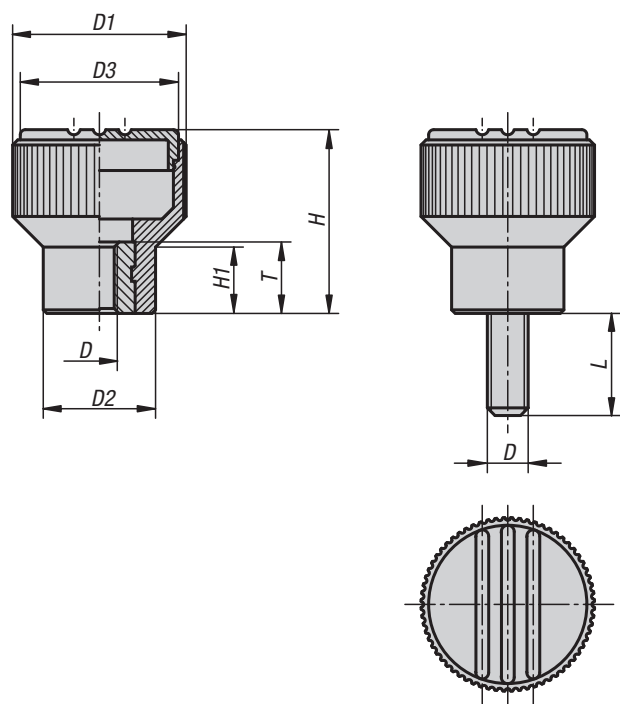
K0247.1010490

**Advantages:**

This biopolymer is manufactured entirely from renewable raw materials (oil free).  
Conservation of finite fossil resources.  
The wood fibres originate 100% from local forests in Germany.  
PEFC certified (guarantees that wood products originate from sustainably managed forests).

**Characteristics:**

Excellent mechanical stability (certified with a minimum of 2x safety factor).  
Biopolymer is suitable for recycling (comparable to thermoplastics).  
Suitable for outdoor use (not biodegradable).  
Excellent resistance to strong acids and lyes.  
Short-term resistance to alcohol, fuel, mineral oil and grease.



### KIPP Knurled knobs biopolymer internal thread

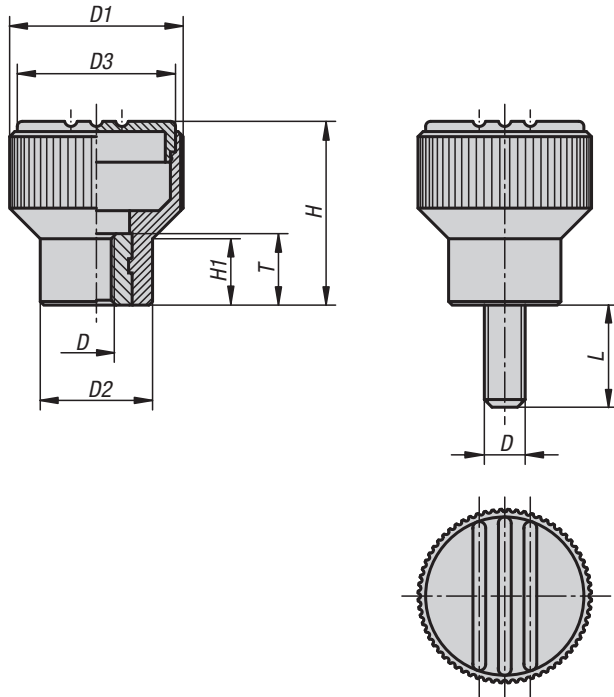
Order No.	Colour	Size	D	D1	D2	D3	H	H1	T
K0247.10104143	natural beech	1	M4	21	14	19	22	8	10
K0247.10105143	natural beech	1	M5	21	14	19	22	8	10
K0247.10106143	natural beech	1	M6	21	14	19	22	8	10
K0247.1010490	black grey	1	M4	21	14	19	22	8	10
K0247.1010590	black grey	1	M5	21	14	19	22	8	10
K0247.1010690	black grey	1	M6	21	14	19	22	8	10

### KIPP Knurled knobs biopolymer external thread

Order No.	Colour	Size	D	D1	D2	D3	H	H1	L
K0247.10105143X10	natural beech	1	M5	21	14	19	22	8	10
K0247.10106143X15	natural beech	1	M6	21	14	19	22	8	15
K0247.1010590X10	black grey	1	M5	21	14	19	22	8	10
K0247.1010690X15	black grey	1	M6	21	14	19	22	8	15



## Knurled knobs antistatic



**Material:**

Thermoplastic, graphite black.  
Bush or screw steel 5.8.

**Version:**

Bush or screw blue chromed.

**Sample order:**

K0247.1110624

**Application:**

Sensitive electrical or electronic equipment, components and devices (ESD sensitive elements) may be damaged or destroyed by electrostatic discharges (ESD) in the immediate vicinity. Electrostatic discharges can come from people or through handling ESD sensitive components (e.g. during production, assembly, transport, storage etc).

Electrically conductive products which conform to DIN EN 61340-5-1 are essential within electronic environments to prevent an electrostatic discharge.

These products can be used for ESD applications or in ESD protection areas (EPA) in accordance with DIN EN 61340-5-1.

The yellow ESD logo is printed on the side of the product to clearly identify it.

**Safety:**

These ESD products can also be used for devices, components and protection systems in areas with high risk of explosion. Use of these ESD products prevents the occurrence of electrostatic spark discharges, eliminating the potential ignition of gases and dusts which could lead to explosions in enclosed spaces.

Manufacturers and operators must use and conform to ATEX directives for the protection of persons working in areas with high risk of explosion.

These ESD products are certified by TÜV-Süd in relation to their electrical discharge capability.

**Target groups:**

Device manufacturers required to conform to ATEX product directive 2014/34/EU.

Operators required to conform to ATEX worker protection directive 1999/92/EC.

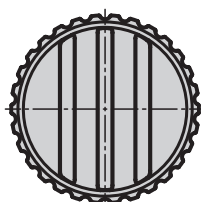
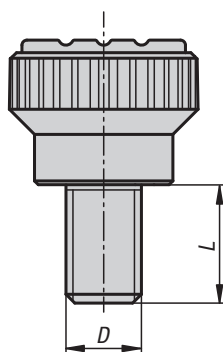
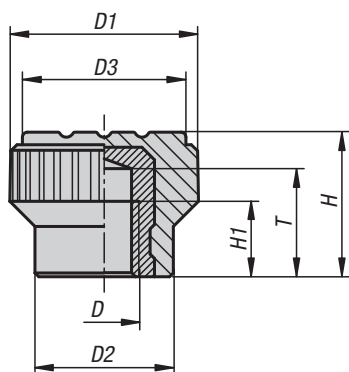
### KIPP Knurled knobs antistatic with internal thread

Order No.	Colour	Size	D	D1	D2	D3	H	H1	T
K0247.1110624	graphite black	1	M6	21	14	19	22	8	10

### KIPP Knurled knobs antistatic with external thread

Order No.	Colour	Size	D	D1	D2	D3	H	H1	L
K0247.1110624X15	graphite black	1	M6	21	14	19	22	8	15

## Knurled knobs



**Material:**

Grip black grey thermoplastic.  
 Bush brass or stainless steel 1.4305.  
 Screw steel 5.8 or stainless steel 1.4305.

**Version:**

Steel blue chromed.  
 Stainless steel bright.

**Sample order:**

K0110.005X12 (include length L)

**On request:**

Other colours.

### KIPP Knurled knobs with internal thread

Order No.	Version	D	D1	D2	D3	H	H1	T
K0110.003	bush brass	M3	15	11	13	11,5	4,5	8,6
K0110.004	bush brass	M4	15	11	13	11,5	6	8,6
K0110.005	bush brass	M5	15	11	13	11,5	6	8,6
K0110.0003	bush stainless steel	M3	15	11	13	11,5	4,5	8,6
K0110.0004	bush stainless steel	M4	15	11	13	11,5	6	8,6
K0110.0005	bush stainless steel	M5	15	11	13	11,5	6	8,6

### KIPP Knurled knobs with external thread

Order No.	Version	D	D1	D2	D3	H	L
K0110.003X	screw steel	M3	15	11	13	11,5	8/10/12/15
K0110.004X	screw steel	M4	15	11	13	11,5	8/10/12/15
K0110.005X	screw steel	M5	15	11	13	11,5	10/12/15/20
K0110.006X	screw steel	M6	15	11	13	11,5	10/15/20/25
K0110.0003X	screw stainless steel	M3	15	11	13	11,5	8/10/12/15
K0110.0004X	screw stainless steel	M4	15	11	13	11,5	8/10/12/15
K0110.0005X	screw stainless steel	M5	15	11	13	11,5	10/12/15/20
K0110.0006X	screw stainless steel	M6	15	11	13	11,5	10/15/20/25

## Knurled heads

for hexagon socket screws



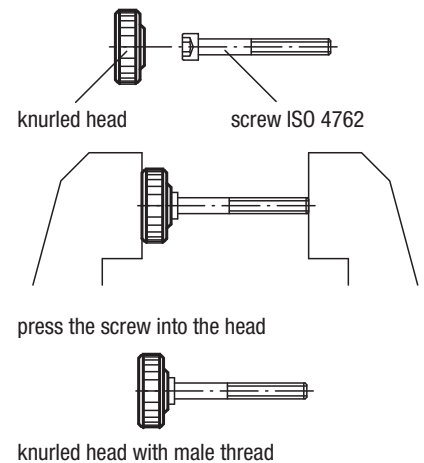
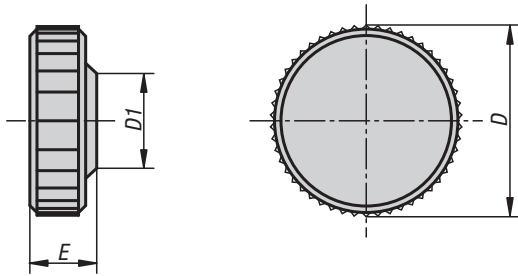
**Material:**  
Thermoplastic.

**Version:**  
Black, grey or red.

**Sample order:**  
K0680.0506 (knurled head colour red)  
Colour code:  
5 = grey  
6 = red

**Note:**  
Suitable screws ISO 4762.

Δ Add the desired knurled head colour here; no colour code is required with black knurled head.



### KIPP Knurled heads for hexagon socket screws

Order No.	D	D1	E	for hexagon socket screw
K0680.030Δ	9,5	8,3	4,5	M3
K0680.040Δ	13	9,6	5,5	M4
K0680.050Δ	16	11,5	6,5	M5
K0680.060Δ	19	13	7,5	M6
K0680.061Δ	26	13	7,8	M6
K0680.080Δ	26	16	9,8	M8

## Wing grips

for hexagon socket screws



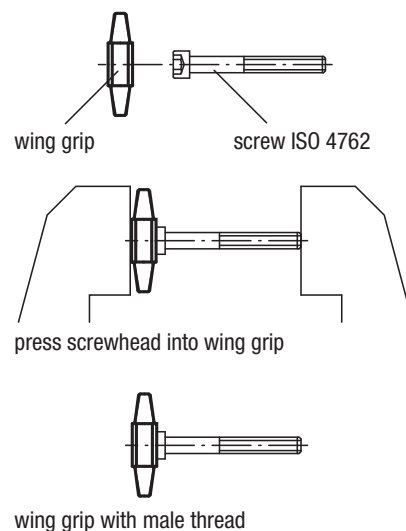
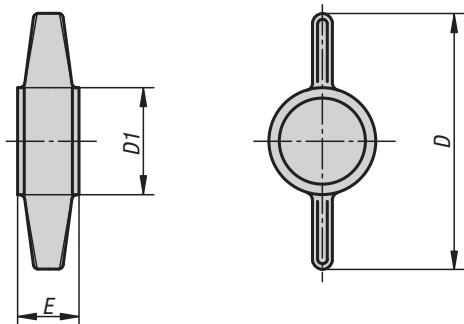
**Material:**  
Thermoplastic.

**Version:**  
Black, grey or red.

**Sample order:**  
K0681.0506 (wing grip colour red)  
Colour code:  
5 = grey  
6 = red

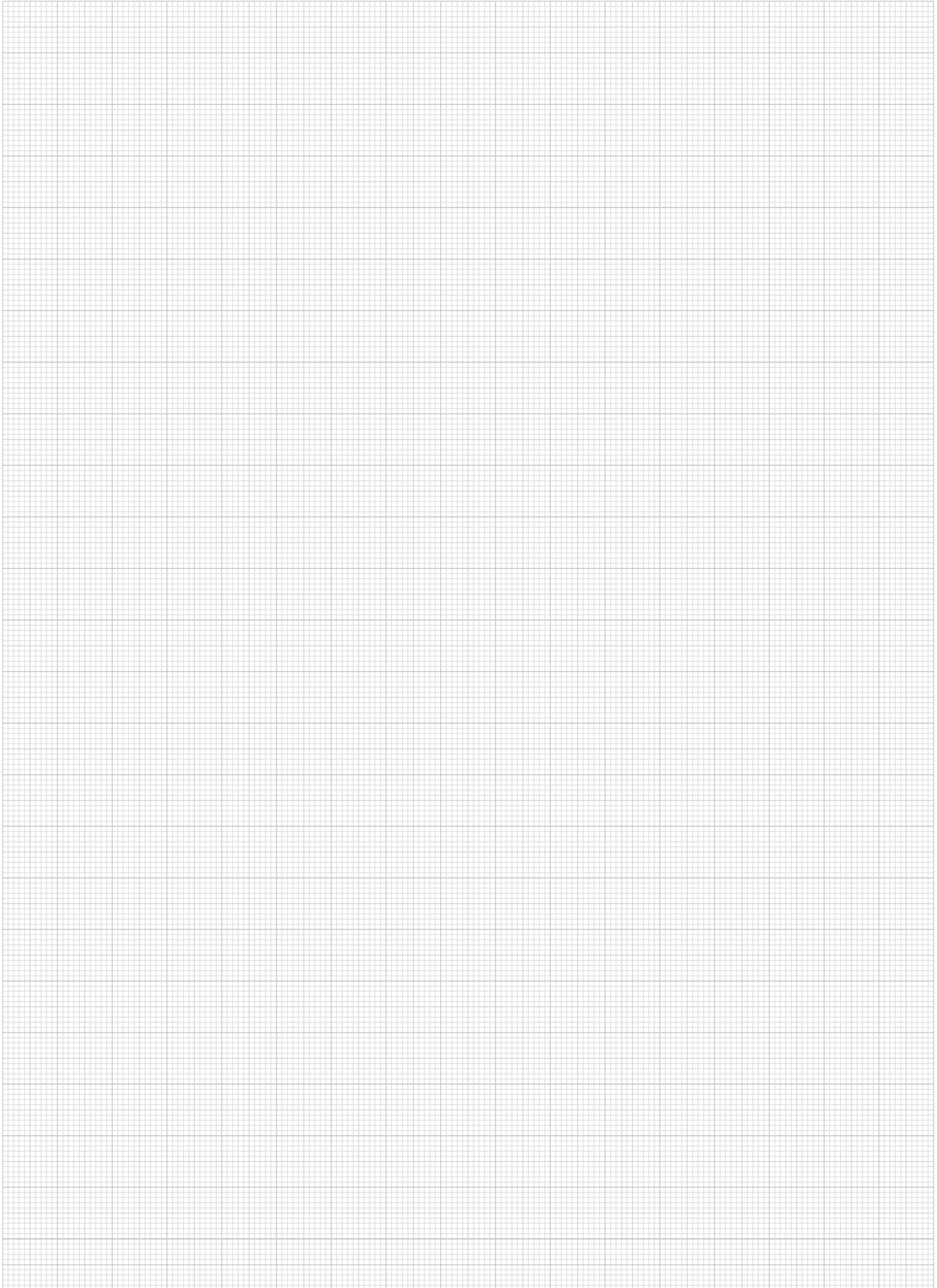
**Note:**  
Suitable screws ISO 4762.

Δ Add the desired wing grip colour here; no colour code is required with black grips.



### KIPP Wing grips for hexagon socket screws

Order No.	D	D1	E	for hexagon socket screw
K0681.050Δ	26	12	6,6	M5
K0681.060Δ	30	13,5	7,8	M6
K0681.080Δ	38	16,5	10	M8
K0681.100Δ	45	20	12,5	M10



## Palm grips

aluminium, similar to DIN 6335

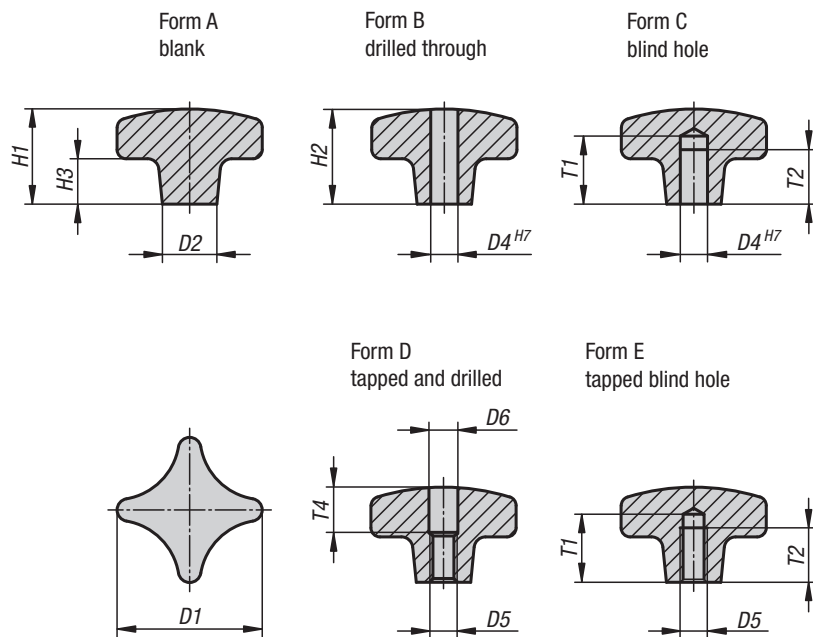


**Material:**  
Aluminium.

**Version:**  
Vibratory ground or ground and polished.

**Sample order:**  
K0145.104008

**On request:**  
Blank palm grips (not tumbled).



### KIPP Palm grips aluminium, similar to DIN 6335

Order No.	Version	Form	D1	D2	H1	H3
K0145.104008	tumbled	A	40	14	26	14
K0145.105010	tumbled	A	50	18	34	20
K0145.106312	tumbled	A	63	25	42	25
K0145.108016	tumbled	A	80	25	52	30

# Palm grips

aluminium, similar to DIN 6335



## KIPP Palm grips similar to DIN 6335, aluminium

Order No. tumbled	Order No. polished	Form	D1	D2	D4	H2	H3
K0145.204008	K0145.2040082	B	40	14	8	25	14
K0145.205010	K0145.2050102	B	50	18	10	32	20
K0145.206312	K0145.2063122	B	63	25	12	40	25
K0145.208016	K0145.2080162	B	80	25	16	50	30

Order No. tumbled	Order No. polished	Form	D1	D2	D4	H1	H3	T1	T2
K0145.304008	K0145.3040082	C	40	14	8	26	14	18	15
K0145.305010	K0145.3050102	C	50	18	10	34	20	21	18
K0145.306312	K0145.3063122	C	63	25	12	42	25	25	22
K0145.308016	K0145.3080162	C	80	25	16	52	30	32	28

Order No. tumbled	Order No. polished	Form	D1	D2	D5	D6	H2	H3	T4
K0145.404008	K0145.4040082	D	40	14	M8	8,4	25	14	12
K0145.405010	K0145.4050102	D	50	18	M10	10,5	32	20	16
K0145.406312	K0145.4063122	D	63	25	M12	13	40	25	20
K0145.408016	K0145.4080162	D	80	25	M16	17	50	30	30

Order No. tumbled	Order No. polished	Form	D1	D2	D5	H1	H3	T1	T2
K0145.504008	K0145.5040082	E	40	14	M8	26	14	18	15
K0145.505010	K0145.5050102	E	50	18	M10	34	20	21	18
K0145.506312	K0145.5063122	E	63	25	M12	42	25	25	22
K0145.508016	K0145.5080162	E	80	25	M16	52	30	32	28

## Palm grips

stainless steel, similar to DIN 6335



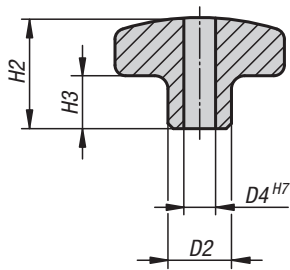
**Material:**  
Stainless steel 1.4308.

**Version:**  
Ground and polished.

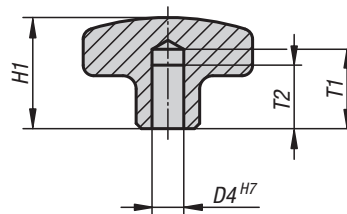
**Sample order:**  
K0146.2032062

**On request:**  
With external thread.

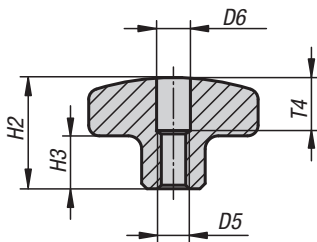
Form B  
drilled through



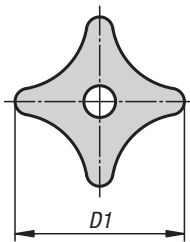
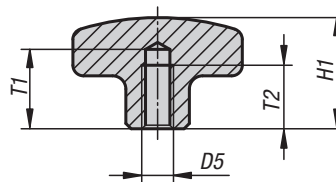
Form C  
blind hole



Form D  
tapped and counterbored



Form E  
tapped blind hole



### KIPP Palm grips stainless steel, similar to DIN 6335

Order No. Form B	Order No. Form C	Version	D1	D2	D4	H1	H2	H3	T1	T2
K0146.2032062	K0146.3032062	polished	32	12	6	-/21	20/-	10	-/15	-/12
K0146.2040082	K0146.3040082	polished	40	14	8	-/26	25/-	13	-/18	-/15
K0146.2050102	K0146.3050102	polished	50	18	10	-/34	32/-	17	-/21	-/18
K0146.2063122	K0146.3063122	polished	63	20	12	-/42	40/-	21	-/25	-/22

Order No. Form D	Order No. Form E	Version	D1	D2	D5	D6	H1	H2	H3	T1	T2	T4
K0146.4032062	K0146.5032062	polished	32	12	M6	6,4/-	-/21	20/-	10	-/15	-/12	10/-
K0146.4040082	K0146.5040082	polished	40	14	M8	8,4/-	-/26	25/-	13	-/18	-/15	12/-
K0146.4050102	K0146.5050102	polished	50	18	M10	10,5/-	-/34	32/-	17	-/21	-/18	16/-
K0146.4063122	K0146.5063122	polished	63	20	M12	13/-	-/42	40/-	21	-/25	-/22	20/-



## Palm grips

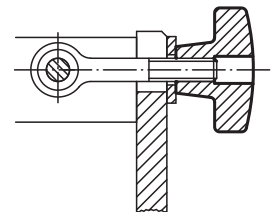
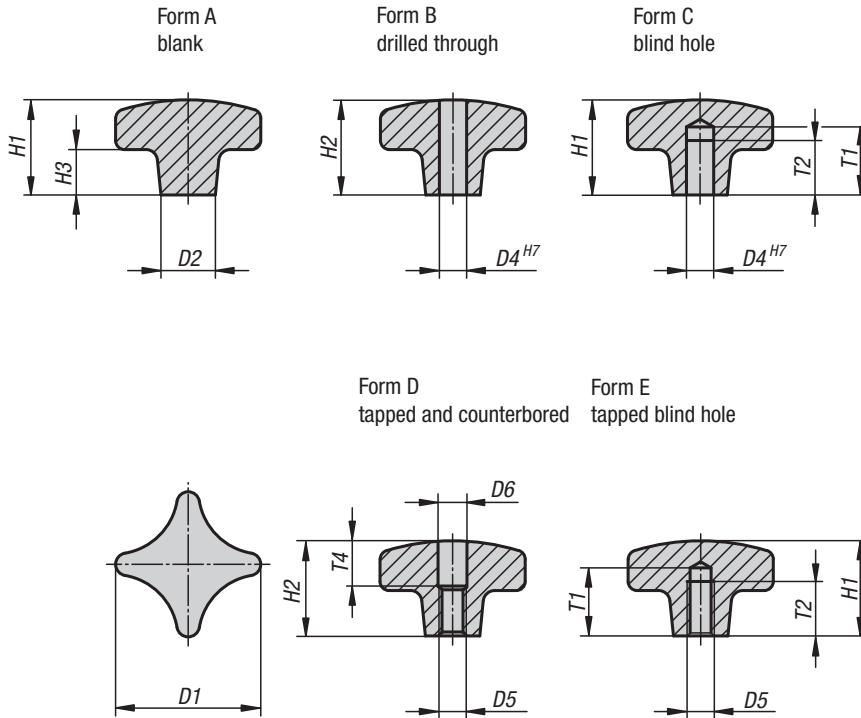
grey cast iron, DIN 6335



**Material:**  
Grey cast iron GJL 200.

**Version:**  
Vibratory ground.  
Bright.

**Sample order:**  
K0147.106



### KIPP Palm grips grey cast iron DIN 6335

Order No. Form A	Order No. Form B	D1	D2	D4	H1	H2	H3
K0147.106	K0147.206	32	12	-/6	21/-	-/20	10
K0147.108	K0147.208	40	14	-/8	26/-	-/25	14
K0147.110	K0147.210	50	18	-/10	34/-	-/32	20
K0147.112	K0147.212	63	20	-/12	42/-	-/40	25
K0147.116	K0147.216	80	25	-/16	52/-	-/50	30
K0147.120	K0147.220	100	32	-/20	65/-	-/63	38

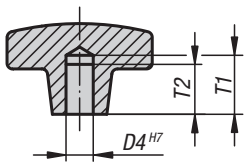
Order No. Form C	Order No. Form D	Order No. Form E	D1	D2	D4	D5	D6	H1	H2	H3	T1	T2	T4
K0147.306	K0147.406	K0147.506	32	12	6/-/-	-/M6/M6	-/6,4/-	21/-/21	-/20/-	10	15/-/15	12/-/12	-/10/-
K0147.308	K0147.408	K0147.508	40	14	8/-/-	-/M8/M8	-/8,4/-	26/-/26	-/25/-	14	18/-/18	15/-/15	-/12/-
K0147.310	K0147.410	K0147.510	50	18	10/-/-	-/M10/M10	-/10,5/-	32/-/32	-/32/-	20	21/-/21	18/-/18	-/16/-
K0147.312	K0147.412	K0147.512	63	20	12/-/-	-/M12/M12	-/13/-	42/-/42	-/40/-	25	25/-/25	22/-/22	-/20/-
K0147.316	K0147.416	K0147.516	80	25	16/-/-	-/M16/M16	-/17/-	52/-/52	-/50/-	30	32/-/32	28/-/28	-/30/-
K0147.320	K0147.420	K0147.520	100	32	20/-/-	-/M20/M20	-/21/-	65/-/65	-/63/-	38	40/-/40	36/-/36	-/38/-

## Palm grips

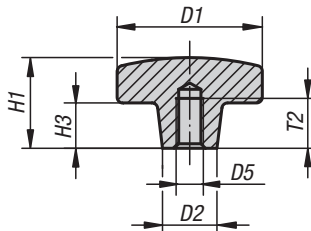
plastic coated grey cast iron, DIN 6335



Form C  
blind hole



Form E  
tapped blind hole



**Material:**  
Grey cast iron GJL 200.

**Version:**  
Plastic coated.

**Sample order:**  
K0682.212

**Note:**  
Pure orange RAL 2004.  
Jet black RAL 9005.

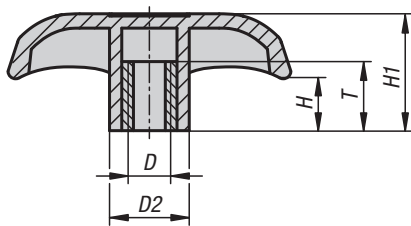
### KIPP Palm grips, plastic coated grey cast iron, DIN 6335

Order No. Colour orange	Order No. Colour black	Form	D1	D2	D4	D5	H1	H3	T1	T2
K0682.108	K0682.208	C	40	14	8	-	26	14	18	15
K0682.110	K0682.210	C	50	18	10	-	34	20	21	18
K0682.112	K0682.212	C	63	20	12	-	42	25	25	22
K0682.116	K0682.216	C	80	25	16	-	52	30	32	28
K0682.308	K0682.408	E	40	14	-	M8	26	14	-	15
K0682.310	K0682.410	E	50	18	-	M10	34	20	-	18
K0682.312	K0682.412	E	63	20	-	M12	42	25	-	22
K0682.316	K0682.416	E	80	25	-	M16	52	30	-	28

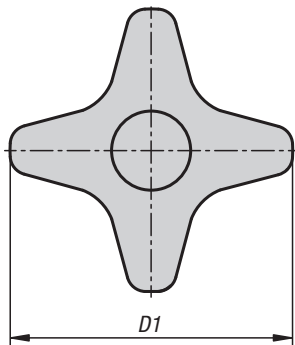
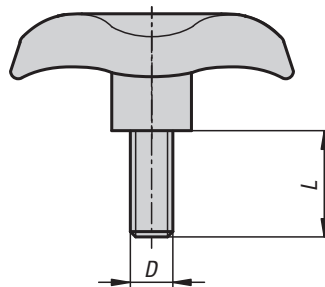
## Palm grips soft



Form K  
internal thread



Form L  
external thread



**Material:**

Body hard thermoplastic.  
Coating soft thermoplastic.  
Bush or screw steel 5.8.

**Version:**

Body and coating black.  
Bush and screw galvanized.

**Sample order:**

K0613.5108X20 (include length L)

**Note:**

Palm grips with a soft gripping surface combine the stability of standard thermoplastic grips with the pleasant feel of the soft surface. The soft coating creates a sympathetic, non-slip surface allowing higher clamping forces while protecting the hand.

### KIPP Palm grips soft with internal thread

Order No.	Form	D	D1	D2	H	H1	T
K0613.5108	K	M8	51	15	10	22	13
K0613.5110	K	M10	51	15	10	22	13
K0613.7608	K	M8	76	19,5	13,5	28	20
K0613.7610	K	M10	76	19,5	13,5	28	20
K0613.7612	K	M12	76	19,5	13,5	28	20

### KIPP Palm grips soft with external thread

Order No.	Form	D	D1	D2	H	H1	L
K0613.5108X	L	M8	51	15	10	23	20/40
K0613.5110X	L	M10	51	15	10	23	20/40
K0613.7608X	L	M8	76	19,5	13,5	30	20/40
K0613.7610X	L	M10	76	19,5	13,5	30	20/40
K0613.7612X	L	M12	76	19,5	13,5	30	20/30/40

## Palm grips

similar to DIN 6335

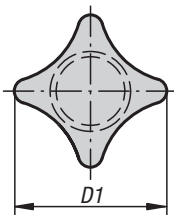
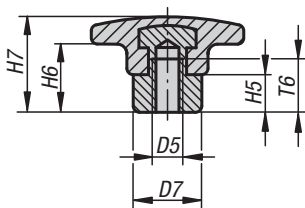


**Material:**  
Black Duroplast PF 31.  
Bush and screw galvanized steel.

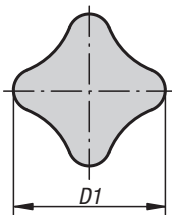
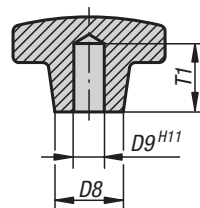
**Version:**  
High-gloss polished.

**Sample order:**  
K0148.505X30 (include length L)

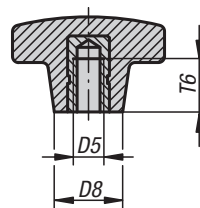
Form E  
with projecting  
steel bush



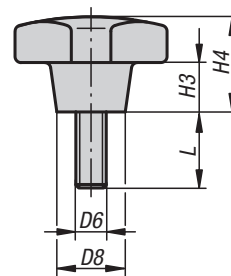
Form G  
with blind hole



Form K  
with threaded bush



Form L  
with external thread



## Palm grips

similar to DIN 6335



## KIPP Palm grips similar to DIN 6335, Form E

Order No.	Form	D1	D5	D7	H5	H6	H7	T6
K0148.306	E	32	M6	12	9	12	23	12
K0148.308	E	40	M8	14	10	13	26	15
K0148.310	E	50	M10	18	12	18	32	18
K0148.312	E	63	M12	20	14	23	40	22
K0148.316	E	80	M16	25	17	28	50	28

## KIPP Palm grips similar to DIN 6335, Form G

Order No.	Form	D1	D8	D9	H3	H4	T1
K0148.405	G	25	12	5	8	16	12
K0148.406	G	32	14	6	10	20	15
K0148.408	G	40	18	8	13	25	18
K0148.410	G	50	22	10	20	32	21
K0148.412	G	63	26	12	25	40	25

## KIPP Palm grips similar to DIN 6335, Form K

Order No.	Form	D1	D5	D8	H3	H4	T6
K0148.205	K	25	M5	12	8	16	9,5
K0148.206	K	32	M6	14	10	20	12
K0148.208	K	40	M8	18	13	25	14
K0148.210	K	50	M10	22	20	32	18
K0148.212	K	63	M12	26	25	40	22
K0148.216	K	80	M16	35	30	50	30

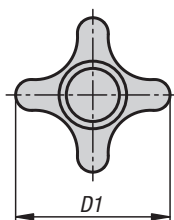
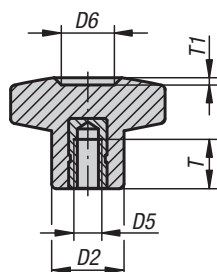
## KIPP Palm grips similar to DIN 6335, Form L

Order No.	Form	D1	D6	D8	H3	H4	L
K0148.505X	L	25	M5	12	8	16	15/20/25/30/40/50
K0148.506X	L	32	M6	14	10	20	15/20/25/30/40/50
K0148.508X	L	40	M8	18	13	25	20/25/30/35/40/45/50
K0148.510X	L	50	M10	22	20	32	20/25/30/35/40/45/50
K0148.512X	L	63	M12	26	25	40	20/30/40/50/60

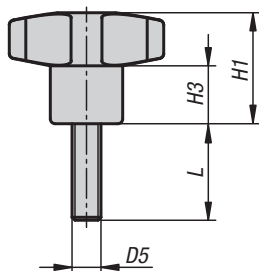
## Palm grips



Form K  
with tapped bush



Form L  
external thread



**Material:**  
Fibreglass reinforced thermoplastic.  
Tapped bush brass.  
Screw steel.

**Version:**  
Grip, black.  
Screw galvanized.

**Sample order:**  
K1089.43205X30 (include length L)

### KIPP Palm grips with internal thread

Order No.	Form	D1	D2	D5	D6	H1	H3	T	T1
K1089.23205	K	32	15	M5	11	23	12	14	1,5
K1089.23206	K	32	15	M6	11	23	12	14	1,5
K1089.24008	K	40	16	M8	13	24,5	12,5	14	1,5
K1089.25010	K	50	20	M10	14	29	15	14	2
K1089.26012	K	60	24	M12	18	34	18,5	18	2

### KIPP Palm grips with external thread

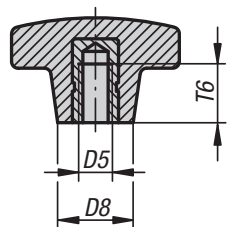
Order No.	Form	D1	D2	D5	D6	H1	H3	T1	L
K1089.43205X	L	32	15	M5	11	23	11	1,5	16/20
K1089.43206X	L	32	15	M6	11	23	11	1,5	16/20/30
K1089.43208X	L	32	15	M8	11	23	11	1,5	16/20/30/40
K1089.44006X	L	40	15,7	M6	12	24,5	12,5	1	20/30
K1089.44008X	L	40	15,7	M8	12	24,5	12,5	1	20/30/40/50
K1089.45008X	L	50	20	M8	14,5	29	15	1,5	20/30/40
K1089.45010X	L	50	20	M10	14,5	29	15	1,5	20/30/40/50
K1089.46010X	L	60	24	M10	18	34	18,5	1,5	20/30/40/50
K1089.46012X	L	60	24	M12	18	34	18,5	1,5	20/30/40/50

## Palm grips

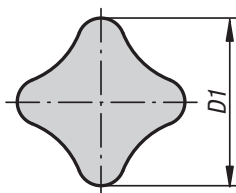
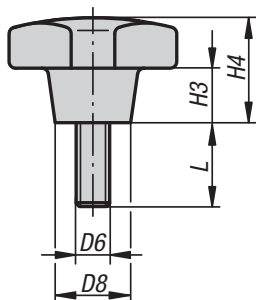
similar to DIN 6335, metal parts stainless steel



Form K  
with threaded bush



Form L  
with external thread



**Material:**  
Duroplast PF 31, black.  
Metal parts stainless steel 1.4305.

**Version:**  
High-gloss polished, black.

**Sample order:**  
K1017.22505 (Form K)  
K1017.52505X15 (Form L)

### KIPP Palm grips metal parts stainless steel Form K

Order No.	Material	Form	D1	D5	D8	H3	H4	T6
K1017.22505	Stainless steel	K	25	M5	12	8	16	9,5
K1017.23206	Stainless steel	K	32	M6	14	10	20	12
K1017.24008	Stainless steel	K	40	M8	18	13	25	14
K1017.25010	Stainless steel	K	50	M10	22	20	32	18
K1017.26312	Stainless steel	K	63	M12	26	25	40	22

### KIPP Palm grips metal parts stainless steel Form L

Order No.	Material	Form	D1	D6	D8	H3	H4	L
K1017.52505X15	Stainless steel	L	25	M5	12	8	16	15
K1017.52505X20	Stainless steel	L	25	M5	12	8	16	20
K1017.53206X15	Stainless steel	L	32	M6	14	10	20	15
K1017.53206X20	Stainless steel	L	32	M6	14	10	20	20
K1017.53206X25	Stainless steel	L	32	M6	14	10	20	25
K1017.53206X30	Stainless steel	L	32	M6	14	10	20	30
K1017.53206X40	Stainless steel	L	32	M6	14	10	20	40
K1017.53206X50	Stainless steel	L	32	M6	14	10	20	50
K1017.54008X20	Stainless steel	L	40	M8	18	13	25	20
K1017.54008X25	Stainless steel	L	40	M8	18	13	25	25
K1017.54008X30	Stainless steel	L	40	M8	18	13	25	30
K1017.54008X40	Stainless steel	L	40	M8	18	13	25	40
K1017.54008X50	Stainless steel	L	40	M8	18	13	25	50

## Palm grips quick-acting

grey cast iron



**Material:**

Grey cast iron GJL 300

**Version:**

Vibratory ground.

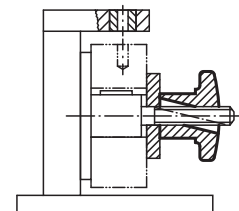
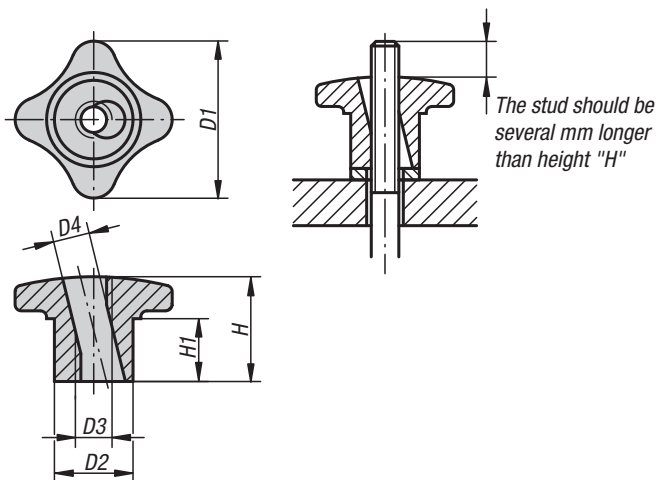
**Sample order:**

K0683.08

**Note:**

Quick-acting palm grips can be used on all fixtures that do not require a high clamping force.

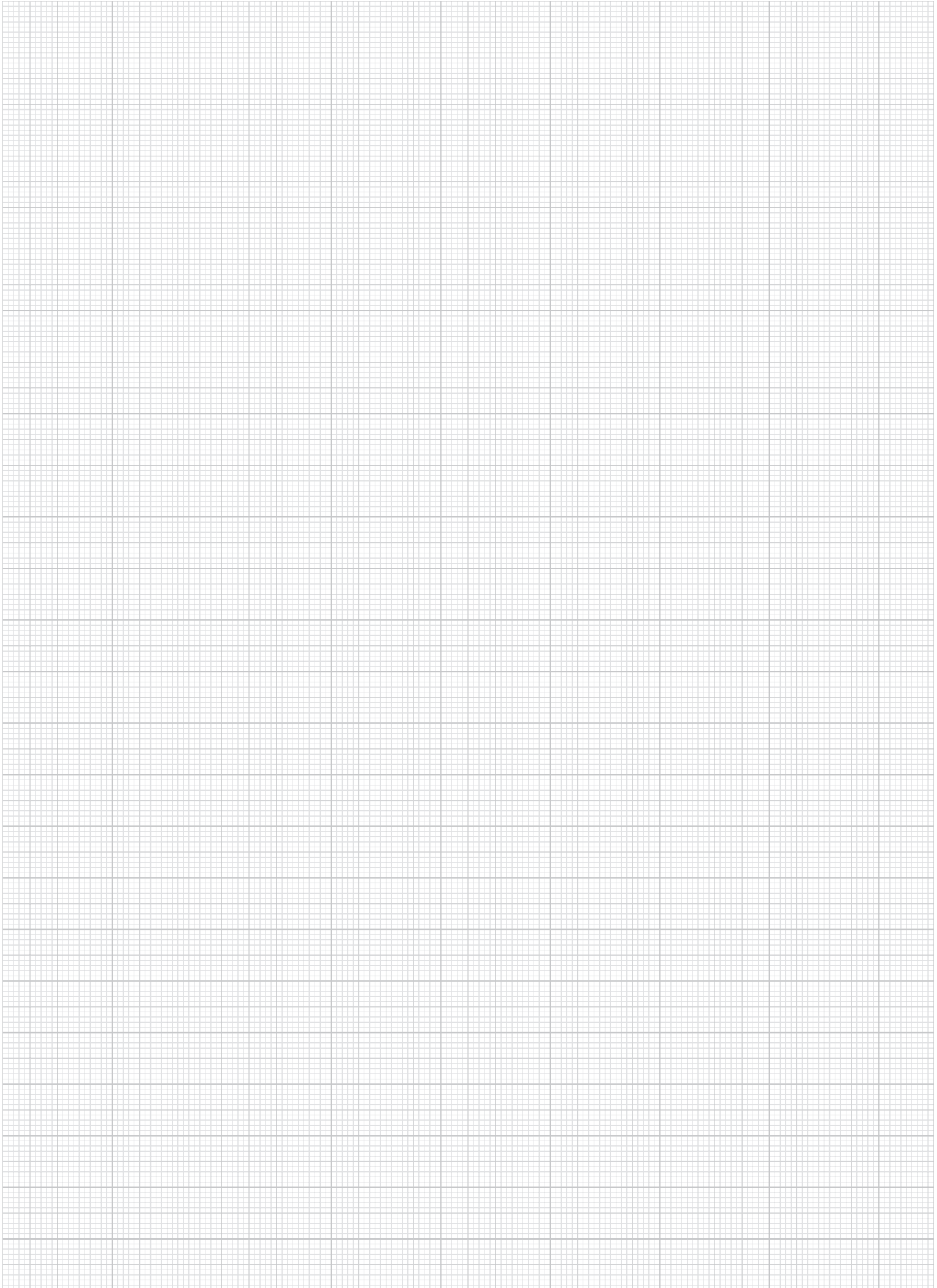
Tilt the grip to slide on, then straighten it to engage the threads.



### KIPP Palm grips quick-acting, grey cast iron

Order No.	D1	D2	D3	D4	H	H1
K0683.06	30	15	M6	7	20	10
K0683.08	40	18	M8	9,4	25	14
K0683.10	50	21	M10	11,3	30	16
K0683.12	60	26	M12	13,1	35	19
K0683.14	70	30	M14	15,6	40	22
K0683.16	80	34	M16	17,6	45	25





## Star grips

aluminium, similar to DIN 6336

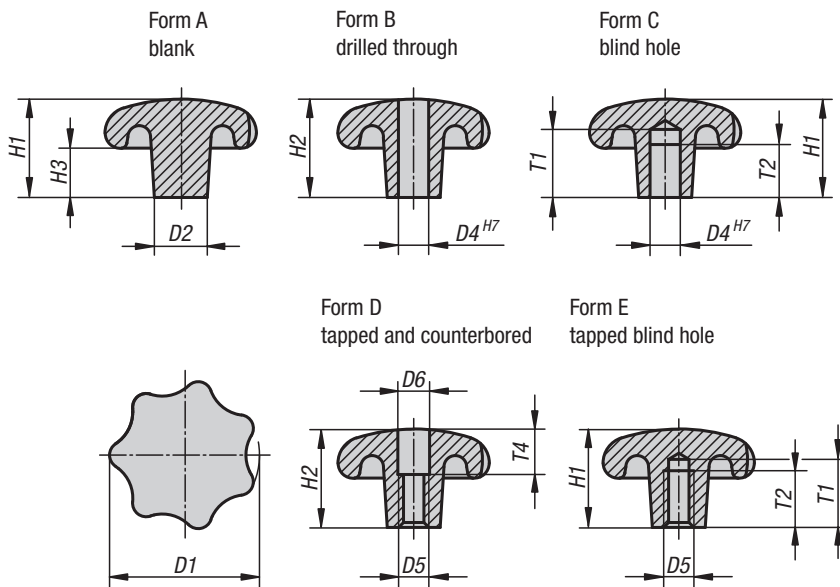


**Material:**  
Aluminium.

**Version:**  
Vibratory ground or ground and polished.

**Sample order:**  
K0149.14008

**On request:**  
Blank star grips (not tumbled).



### KIPP Star grips, aluminium, similar to DIN 6336

Order No.	Version	Form	D1	D2	H1	H3
K0149.14008	tumbled	A	40	14	26	13
K0149.15010	tumbled	A	50	18	34	17
K0149.16312	tumbled	A	63	20	42	21
K0149.18016	tumbled	A	80	25	52	25

Order No. tumbled	Order No. polished	Form	D1	D2	D4	H2	H3
K0149.24008	K0149.240082	B	40	14	8	25	13
K0149.25010	K0149.250102	B	50	18	10	32	17
K0149.26312	K0149.263122	B	63	20	12	40	21
K0149.28016	K0149.280162	B	80	25	16	50	25

## Star grips

aluminium, similar to DIN 6336



## KIPP Star grips, aluminium, similar to DIN 6336

Order No. tumbled	Order No. polished	Form	D1	D2	D4	H1	H3	T1	T2
K0149.34008	K0149.340082	C	40	14	8	26	13	18	15
K0149.35010	K0149.350102	C	50	18	10	34	17	21	18
K0149.36312	K0149.363122	C	63	20	12	42	21	25	22
K0149.38016	K0149.380162	C	80	25	16	52	25	32	28

Order No. tumbled	Order No. polished	Form	D1	D2	D5	D6	H2	H3	T4
K0149.44008	K0149.440082	D	40	14	M8	8,4	25	13	12
K0149.45010	K0149.450102	D	50	18	M10	10,5	32	17	16
K0149.46312	K0149.463122	D	63	20	M12	13	40	21	20
K0149.48016	K0149.480162	D	80	25	M16	17	50	25	30

Order No. tumbled	Order No. polished	Form	D1	D2	D5	H1	H3	T1	T2
K0149.54008	K0149.540082	E	40	14	M8	26	13	18	15
K0149.55010	K0149.550102	E	50	18	M10	34	17	21	18
K0149.56312	K0149.563122	E	63	20	M12	42	21	25	22
K0149.58016	K0149.580162	E	80	25	M16	52	25	32	28

## Star grips

stainless steel, similar to DIN 6336



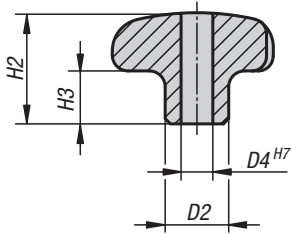
**Material:**  
Stainless steel 1.4308.

**Version:**  
Ground and polished.

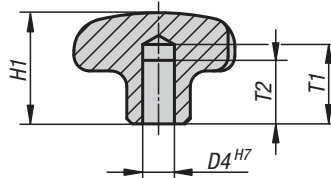
**Sample order:**  
K0150.232062

**On request:**  
With external thread.

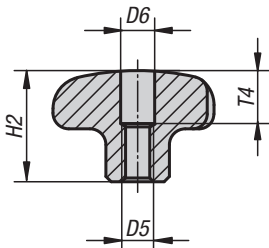
Form B  
drilled through



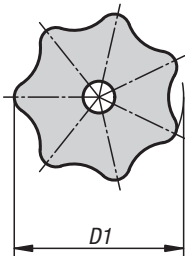
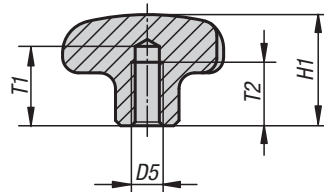
Form C  
blind hole



Form D  
tapped and counterbored



Form E  
tapped blind hole



### KIPP Star grips in stainless steel, similar to DIN 6336

Order No. Form B	Order No. Form C	Version	D1	D2	D4	H1	H2	H3	T1	T2
K0150.232062	K0150.332062	polished	32	12	6	-/21	20/-	10	-/15	-/12
K0150.240082	K0150.340082	polished	40	14	8	-/26	25/-	13	-/18	-/15
K0150.250102	K0150.350102	polished	50	18	10	-/34	32/-	17	-/21	-/18
K0150.263122	K0150.363122	polished	63	20	12	-/42	40/-	21	-/25	-/22

Order No. Form D	Order No. Form E	Version	D1	D2	D5	D6	H1	H2	H3	T1	T2	T4
K0150.432062	K0150.532062	polished	32	12	M6	6,4/-	-/21	20/-	10	-/15	-/12	10/-
K0150.440082	K0150.540082	polished	40	14	M8	8,4/-	-/26	25/-	13	-/18	-/15	12/-
K0150.450102	K0150.550102	polished	50	18	M10	10,5/-	-/34	32/-	17	-/21	-/18	16/-
K0150.463122	K0150.563122	polished	63	20	M12	13/-	-/42	40/-	21	-/25	-/22	20/-

## Star grips

grey cast iron, DIN 6336

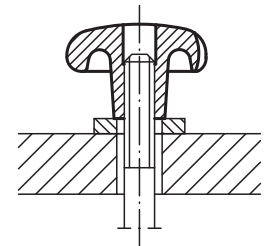
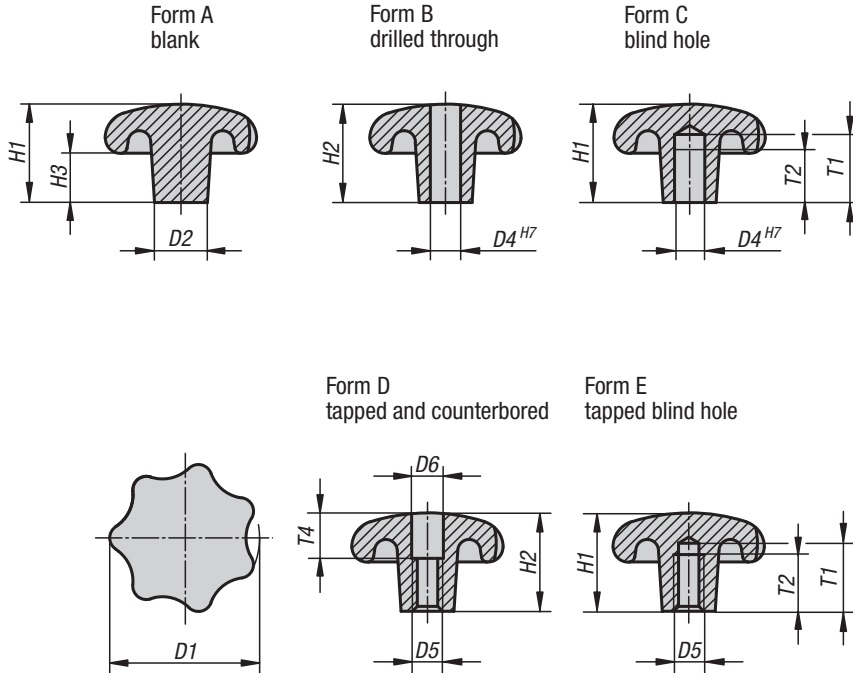


**Material:**  
Grey cast iron GJL 200.

**Version:**  
Vibratory ground.  
Bright.

**Sample order:**  
K0151.106

**On request:**  
Grips with a plastic coating.



### KIPP Star grips, grey cast iron, DIN 6336

Order No. Form A	Order No. Form B	D1	D2	D4	H1	H2	H3
K0151.106	K0151.206	32	12	-/6	21/-	-/20	10
K0151.108	K0151.208	40	14	-/8	26/-	-/25	13
K0151.110	K0151.210	50	18	-/10	34/-	-/32	17
K0151.112	K0151.212	63	20	-/12	42/-	-/40	21
K0151.116	K0151.216	80	25	-/16	52/-	-/50	25

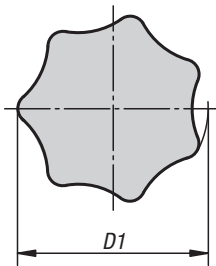
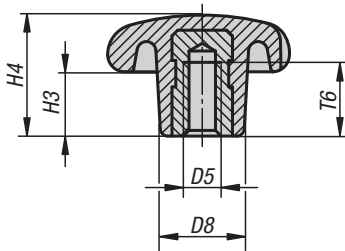
Order No. Form C	Order No. Form D	Order No. Form E	D1	D2	D4	D5	D6	H1	H2	H3	T1	T2	T4
K0151.306	K0151.406	K0151.506	32	12	6/-/	-/M6/M6	-/6,4/-	21/-/21	-/20/-	10	15/-/15	12/-/12	-/10/-
K0151.308	K0151.408	K0151.508	40	14	8/-/	-/M8/M8	-/8,4/-	26/-/26	-/25/-	13	18/-/18	15/-/15	-/12/-
K0151.310	K0151.410	K0151.510	50	18	10/-/	-/M10/M10	-/10,5/-	34/-/34	-/32/-	17	21/-/21	18/-/18	-/16/-
K0151.312	K0151.412	K0151.512	63	20	12/-/	-/M12/M12	-/13/-	42/-/42	-/40/-	21	25/-/25	22/-/22	-/20/-
K0151.316	K0151.416	K0151.516	80	25	16/-/	-/M16/M16	-/17/-	52/-/52	-/50/-	25	32/-/32	28/-/28	-/30/-

## Star grips

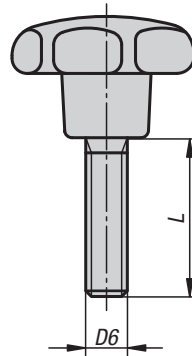
similar to DIN 6336



Form K  
with threaded bush



Form L  
with external thread



**Material:**

Duroplast PF 31, black.

Bush and screw steel, galvanized and blue chromed.

**Version:**

High-gloss polished.

**Sample order:**

K0152.42505X15 (include length L.)

**Note:**

The version K0152.22004 has a brass bush.

**On request:**

Other colours.

### KIPP Star grips similar to DIN 6336 with internal thread, Form K

Order No.	Form	D1	D5	D8	H3	H4	T6
K0152.22004	K	20	M4	10	7	13	6,5
K0152.22505	K	25	M5	12	8	16	9,5
K0152.23206	K	32	M6	14	10	20	12
K0152.24008	K	40	M8	18	13	25	14
K0152.25010	K	50	M10	22	17	32	18
K0152.26312	K	63	M12	26	21	40	22
K0152.28016	K	80	M16	35	25	50	30

### KIPP Star grips similar to DIN 6336 with external thread, Form L

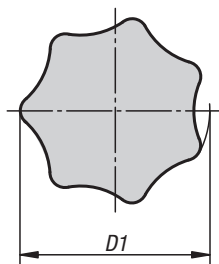
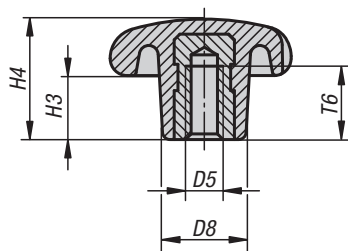
Order No.	Form	D1	D6	D8	H3	H4	L
K0152.42505X	L	25	M5	12	8	16	15/20/25
K0152.43206X	L	32	M6	14	10	20	15/20/25/30
K0152.44008X	L	40	M8	18	13	25	20/25/30/35/40
K0152.45010X	L	50	M10	22	17	32	25/30/35/40/50
K0152.46312X	L	63	M12	26	21	40	30/35/40/50/60
K0152.48016X	L	80	M16	35	25	50	30/40/50/60

## Star grips

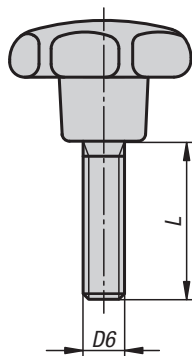
similar to DIN 6336 metal parts stainless steel



Form K  
with threaded bush



Form L  
with external thread



**Material:**

Duroplast PF 31, black.  
Bushing or threaded pin stainless steel.

**Version:**

High-gloss polished.

**Sample order:**

K1016.24008

**On request:**

Other colours.

### KIPP Star grips similar to DIN 6336 metal parts stainless steel, with internal thread, Form K

Order No.	Material	Form	D1	D5	D8	H3	H4	T6
K1016.23206	Stainless steel	K	32	M6	14	10	20	12
K1016.24008	Stainless steel	K	40	M8	18	13	25	14
K1016.25010	Stainless steel	K	50	M10	22	17	32	18
K1016.26312	Stainless steel	K	63	M12	26	21	40	22

### KIPP Star grips similar to DIN 6336 metal parts stainless steel, with external thread, Form L

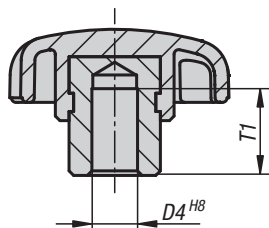
Order No.	Material	Form	D1	L	D6	D8	H3	H4
K1016.43206X15	Stainless steel	L	32	15	M6	14	10	20
K1016.43206X20	Stainless steel	L	32	20	M6	14	10	20
K1016.43206X25	Stainless steel	L	32	25	M6	14	10	20
K1016.43206X30	Stainless steel	L	32	30	M6	14	10	20
K1016.44008X20	Stainless steel	L	40	20	M8	18	13	25
K1016.44008X25	Stainless steel	L	40	25	M8	18	13	25
K1016.44008X30	Stainless steel	L	40	30	M8	18	13	25
K1016.44008X40	Stainless steel	L	40	40	M8	18	13	25

## Star grips

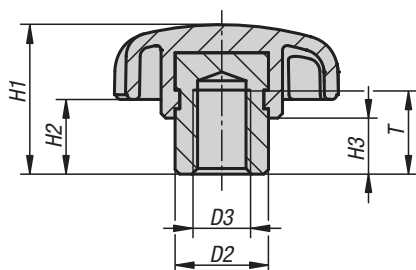
with projecting steel bush



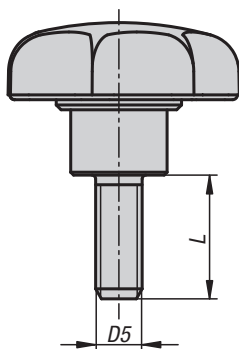
Form H  
bush with blind hole



Form K  
with threaded bush



Form L  
external thread

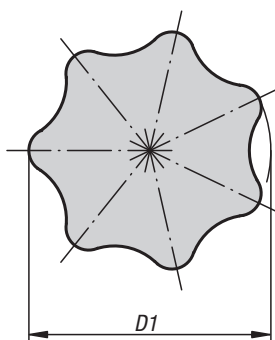


**Material:**  
Black thermoplastic.  
Steel grade 5.8 or stainless steel 1.4305.

**Version:**  
Metal parts blue chromed steel or bright stainless steel.

**Sample order:**  
K0153.2081

**Note:**  
The projecting steel bush make these star grips especially suitable for cross pinning.



### KIPP Star grips with projecting steel bush, Form H

Order No.	Version	Form	D4	T1	D1	D2	H1	H2	H3
K0153.105	bush in steel	H	5	9	25	10	17	9	7
K0153.106	bush in steel	H	6	12,5	32	13,5	21	11	9,5
K0153.1061	bush in steel	H	6	12,5	40	13,5	25	13	10
K0153.108	bush in steel	H	8	12,5	40	13,5	25	13	10
K0153.1081	bush in steel	H	8	19,5	50	19	32	17	12
K0153.110	bush in steel	H	10	19,5	50	19	32	17	12
K0153.1101	bush in steel	H	10	19,5	63	19	37	18	12
K0153.112	bush in steel	H	12	19,5	63	19	37	18	12
K0153.116	bush in steel	H	16	24,5	63	23	40	21	15



## Star grips

with projecting steel bush



## KIPP Star grips with projecting steel bush, Form K

Order No. bush in steel	Order No. bush in stainless steel	Form	D3	T	D1	D2	H1	H2	H3
K0153.205	K0153.305	K	M5	9	25	10	17	9	7
K0153.206	K0153.306	K	M6	12	32	13,5	21	11	9,5
K0153.2061	K0153.3061	K	M6	12	40	13,5	25	13	10
K0153.208	K0153.308	K	M8	12	40	13,5	25	13	10
K0153.2081	K0153.3081	K	M8	17	50	19	32	17	12
K0153.210	K0153.310	K	M10	17	50	19	32	17	12
K0153.2101	K0153.3101	K	M10	17	63	19	37	18	12
K0153.212	K0153.312	K	M12	17	63	19	37	18	12
K0153.216	K0153.316	K	M16	23	63	23	40	21	15

## KIPP Star grips with external thread, Form L

Order No. screw steel	Order No. screw stainless steel	Form	D5	D1	D2	H1	H2	H3	L
K0153.405X	K0153.505X	L	M5	25	10	17	9	7	10/15/20
K0153.406X	K0153.506X	L	M6	32	13,5	21	11	9,5	10/15/20/25/30
K0153.408X	K0153.508X	L	M8	40	13,5	25	13	10	15/20/25/30/40/50
K0153.410X	K0153.510X	L	M10	50	19	32	17	12	20/25/30/40/50/60
K0153.412X	K0153.512X	L	M12	63	19	37	18	12	20/25/30/40/50/60

## Star grips

similar to DIN 6336



**Material:**  
Black thermoplastic.  
Bush and screw steel.

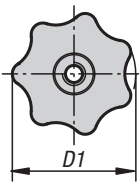
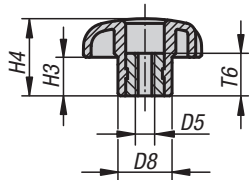
**Version:**  
Bush and screw galvanized and blue chromed.

**Sample order:**  
K0155.4127X30  
(Cap colour bright yellow; include length L)

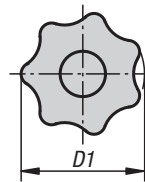
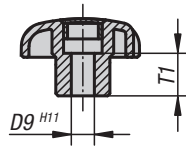
**Note:**  
Δ Add the desired cap colour here. No colour code is required for black caps.

**On request:**  
Other colours or designs, such as company logo.

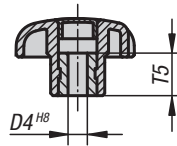
Form D  
threaded bush  
without cap



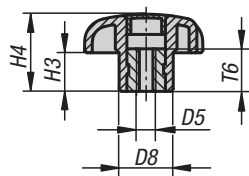
Form G  
without bush



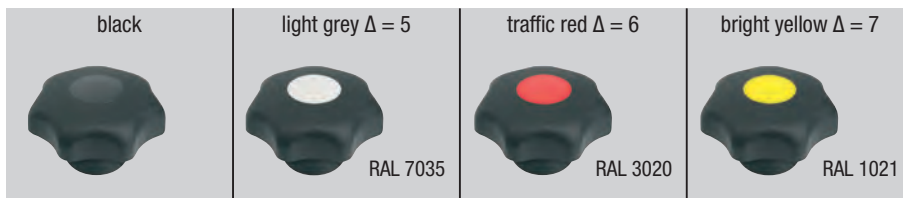
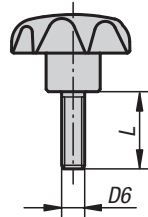
Form H  
reamed bush



Form K  
with threaded bush  
with cap



Form L  
with external thread



### KIPP Star grips similar to DIN 6336 with internal thread, Form D

Order No.	Form	D1	D5	D8	H3	H4	T6
K0155.504	D	25	M4	12	8	16	10
K0155.505	D	25	M5	12	8	16	10
K0155.5061	D	25	M6	12	8	16	10
K0155.5051	D	32	M5	14	10	20	10
K0155.506	D	32	M6	14	10	20	10
K0155.508	D	40	M8	18	13	25	14
K0155.5101	D	40	M10	18	13	25	14
K0155.5081	D	50	M8	22	17	32	14
K0155.510	D	50	M10	22	17	32	14
K0155.5121	D	50	M12	22	17	32	18
K0155.5102	D	63	M10	26	21	40	14
K0155.512	D	63	M12	26	21	40	18
K0155.516	D	63	M16	26	21	40	18

## Star grips

similar to DIN 6336



examples of grip cap designs



### KIPP Star grips similar to DIN 6336 with internal thread, Form K

Order No.	Form	D1	D5	D8	H3	H4	T6
K0155.204Δ	K	25	M4	12	8	16	10
K0155.205Δ	K	25	M5	12	8	16	10
K0155.2061Δ	K	25	M6	12	8	16	10
K0155.2051Δ	K	32	M5	14	10	20	10
K0155.206Δ	K	32	M6	14	10	20	10
K0155.208Δ	K	40	M8	18	13	25	14
K0155.2101Δ	K	40	M10	18	13	25	14
K0155.2081Δ	K	50	M8	22	17	32	14
K0155.210Δ	K	50	M10	22	17	32	14
K0155.2121Δ	K	50	M12	22	17	32	18
K0155.2102Δ	K	63	M10	26	21	40	14
K0155.212Δ	K	63	M12	26	21	40	18
K0155.216Δ	K	63	M16	26	21	40	18

### KIPP Star grips similar to DIN 6336 with reamed hole, Form G and H

Order No. Form G	Order No. Form H	D1	D4	D8	D9	H3	H4	T1	T5
K0155.305Δ	K0155.105Δ	25	-/5	12	5/-	8	16	10/-	-/10
K0155.306Δ	K0155.106Δ	32	-/6	14	6/-	10	20	10/-	-/10
K0155.308Δ	K0155.108Δ	40	-/8	18	8/-	13	25	14/-	-/14
K0155.310Δ	K0155.110Δ	50	-/10	22	10/-	17	32	14/-	-/14
-	K0155.1101Δ	63	10	26	-	21	40	-	14
K0155.312Δ	K0155.112Δ	63	-/12	26	12/-	21	40	18/-	-/18

### KIPP Star grips similar to DIN 6336 with external thread, Form L

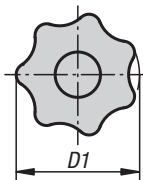
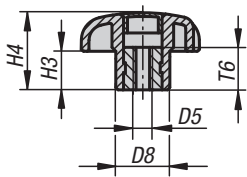
Order No.	Form	D1	D6	D8	H3	H4	L
K0155.405ΔX	L	25	M5	12	8	16	10/15/20/25/30/35/40/45/50/60
K0155.406ΔX	L	25	M6	12	8	16	10/15/20/25/30/35/40/45/50/60
K0155.4061ΔX	L	32	M6	14	10	20	10/15/20/25/30/35/40/45/50/60
K0155.408ΔX	L	32	M8	14	10	20	15/20/25/30/35/40/45/50/60
K0155.4081ΔX	L	40	M8	18	13	25	15/20/25/30/35/40/45/50/60
K0155.410ΔX	L	40	M10	18	13	25	15/20/25/30/35/40/45/50/60
K0155.4101ΔX	L	50	M10	22	17	32	15/20/25/30/35/40/45/50/60
K0155.412ΔX	L	50	M12	22	17	32	15/20/25/30/35/40/45/50/60
K0155.4102ΔX	L	63	M10	26	21	40	20/25/30/35/40/45/50/60
K0155.4121ΔX	L	63	M12	26	21	40	20/25/30/35/40/45/50/60
K0155.416ΔX	L	63	M16	26	21	40	30/35/40/45/50/60

# Star grips biopolymer

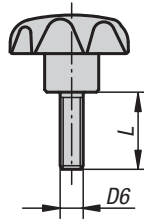
similar to DIN 6336



Form K  
with threaded bush  
with cap



Form L  
with external thread



## Material:

Biopolymer. Bush or threaded pin steel.

## Version:

Bush and screw galvanized and blue chromed.  
Natural beech with beech fibres or coloured black grey.

## Sample order:

K0155.10406190X15

## Advantages:

This biopolymer is manufactured entirely from renewable raw materials (oil free).  
Conservation of finite fossil resources.  
The wood fibres originate 100% from local forests in Germany.  
PEFC certified (guarantees that wood products originate from sustainably managed forests).

## Characteristics:

Excellent mechanical stability (certified with a minimum of 2x safety factor).  
Biopolymer is suitable for recycling (comparable to thermoplastics).  
Suitable for outdoor use (not biodegradable).  
Excellent resistance to strong acids and lyes.  
Short-term resistance to alcohol, fuel, mineral oil and grease.

## Star grips biopolymer

similar to DIN 6336



## KIPP Star grips biopolymer similar to DIN 6336, internal thread

Order No.	Colour	Form	D1	D5	D8	H3	H4	T6
K0155.102051143	natural beech	K	32	M5	14	10	20	10
K0155.10206143	natural beech	K	32	M6	14	10	20	10
K0155.10208143	natural beech	K	40	M8	18	13	25	14
K0155.102081143	natural beech	K	50	M8	22	17	32	14
K0155.102101143	natural beech	K	40	M10	18	13	25	14
K0155.10210143	natural beech	K	50	M10	22	17	32	14
K0155.102121143	natural beech	K	50	M12	22	17	32	18
K0155.10205190	black grey	K	32	M5	14	10	20	10
K0155.1020690	black grey	K	32	M6	14	10	20	10
K0155.1020890	black grey	K	40	M8	18	13	25	14
K0155.10208190	black grey	K	50	M8	22	17	32	14
K0155.10210190	black grey	K	40	M10	18	13	25	14
K0155.1021090	black grey	K	50	M10	22	17	32	14
K0155.10212190	black grey	K	50	M12	22	17	32	18

## KIPP Star grips biopolymer similar to DIN 6336, external thread

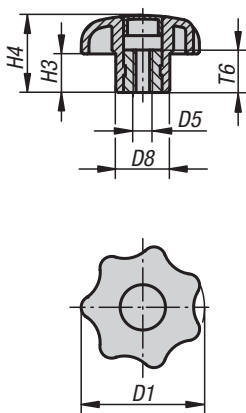
Order No.	Colour	Form	D1	D6	D8	H3	H4	L
K0155.104061143X15	natural beech	L	32	M6	14	10	20	15
K0155.10408143X20	natural beech	L	32	M8	14	10	20	20
K0155.104081143X25	natural beech	L	40	M8	18	13	25	25
K0155.10410143X25	natural beech	L	40	M10	18	13	25	25
K0155.104101143X25	natural beech	L	50	M10	22	17	32	25
K0155.10412143X25	natural beech	L	50	M12	22	17	32	25
K0155.10406190X15	black grey	L	32	M6	14	10	20	15
K0155.1040890X20	black grey	L	32	M8	14	10	20	20
K0155.10408190X25	black grey	L	40	M8	18	13	25	25
K0155.1041090X25	black grey	L	40	M10	18	13	25	25
K0155.10410190X25	black grey	L	50	M10	22	17	32	25
K0155.1041290X25	black grey	L	50	M12	22	17	32	25

## Star grips antibacterial

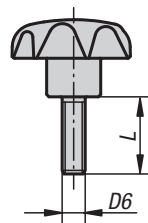
similar to DIN 6336, metal parts stainless steel



Form K  
with threaded bush  
with cap



Form L  
with external thread



**Material:**

Thermoplastic, slate grey.

Bush or threaded pin stainless steel 1.4305.

**Version:**

Bush and screw bright.

**Sample order:**

K0154.12408144X25

**Application:**

The antibacterial KIPP MEDI grip products are highly effective against a variety of hazardous microorganisms, such as bacteria, fungi, viruses and even multi-resistant bacteria (e.g. MRSA).

The plastic used incorporates micro-silver particles with an antimicrobial effect to ensure effective results throughout the entire product life cycle.

**Function:**

Silver ions are effective in preventing harmful microorganisms from forming on the product surface, promoting a constant reduction of the existing germs on the MEDI grip products (as tested and confirmed by an accredited testing laboratory).

During cleaning cycles the risk of infection while touching these products is significantly lower.

**Advantages:**

Resistant to humidity and cleaning products (during disinfection) with no toxic side effects.

**Applications:**

For installation on machines, equipment, plants and furnishings in areas with increased hygienic requirements (including hospitals, doctors' surgeries, rehabilitation centres and food production facilities), as well as for use in public areas or regularly frequented institutions (i.e. nursing homes or daycare centres).

**KIPP Star grips antibacterial, similar to DIN 6336, metal parts stainless steel, internal thread, Form K**

Order No.	Form	D1	D5	D8	H3	H4	T6
K0154.12208144	K	40	M8	18	13	25	14

**KIPP Star grips antibacterial, similar to DIN 6336, metal parts stainless steel, external thread, Form L**

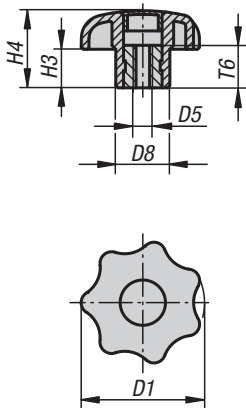
Order No.	Form	D1	D6	D8	H3	H4	L
K0154.12408144X25	L	40	M8	18	13	25	25

## Star grips antistatic

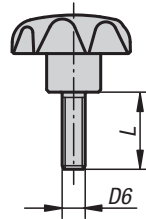
similar to DIN 6336



Form K  
with threaded bush  
with cap



Form L  
with external thread



**Material:**

Thermoplastic, graphite black.  
Bush or screw steel 5.8.

**Version:**

Bush or screw blue chromed.

**Sample order:**

K0155.1120824

**Application:**

Sensitive electrical or electronic equipment, components and devices (ESD sensitive elements) may be damaged or destroyed by electrostatic discharges (ESD) in the immediate vicinity. Electrostatic discharges can come from people or through handling ESD sensitive components (e.g. during production, assembly, transport, storage etc). Electrically conductive products which conform to DIN EN 61340-5-1 are essential within electronic environments to prevent an electrostatic discharge. These products can be used for ESD applications or in ESD protection areas (EPA) in accordance with DIN EN 61340-5-1. The yellow ESD logo is printed on the side of the product to clearly identify it.

**Safety:**

These ESD products can also be used for devices, components and protection systems in areas with high risk of explosion. Use of these ESD products prevents the occurrence of electrostatic spark discharges, eliminating the potential ignition of gases and dusts which could lead to explosions in enclosed spaces. Manufacturers and operators must use and conform to ATEX directives for the protection of persons working in areas with high risk of explosion. These ESD products are certified by TÜV-Süd in relation to their electrical discharge capability.

**Target groups:**

Device manufacturers required to conform to ATEX product directive 2014/34/EU.  
Operators required to conform to ATEX worker protection directive 1999/92/EC.

### KIPP Star grips antistatic similar to DIN 6336, internal thread, Form K

Order No.	Colour	Form	D1	D5	D8	H3	H4	T6
K0155.1120824	graphite black	K	40	M8	18	13	25	14

### KIPP Star grips antistatic similar to DIN 6336, external thread, Form L

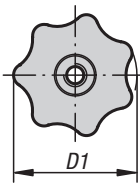
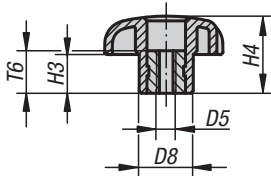
Order No.	Colour	Form	D1	D6	D8	H3	H4	L
K0155.11408124X25	graphite black	L	40	M8	18	13	25	25

## Star grips

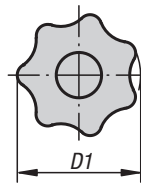
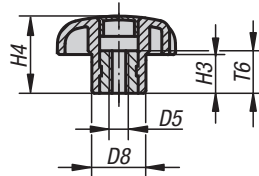
similar to DIN 6336, metal parts stainless steel



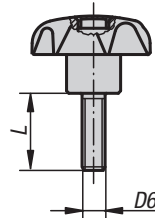
Form D  
threaded bush  
without cap



Form K  
with threaded bush  
with cap



Form L  
with external thread



**Material:**

Black thermoplastic.  
Bush and screw stainless steel 1.4305.

**Version:**

Bush and screw bright.

**Sample order:**

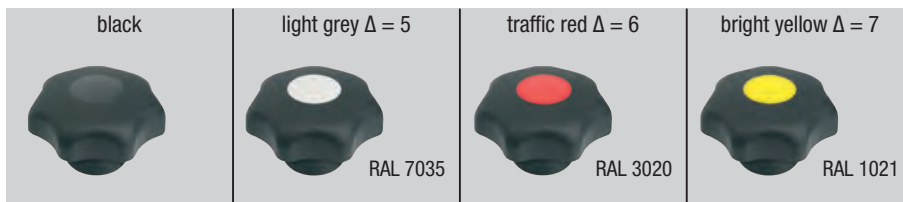
K0154.4067X30  
(cap colour bright yellow; include length L)

**Note:**

Δ Add the desired cap colour here. No colour code is required for black caps.

**On request:**

Other colours or designs, such as company logo.



### KIPP Star grips similar to DIN 6336 metal parts stainless steel, with internal thread, Form D

Order No.	Form	D1	D5	D8	H3	H4	T6
K0154.505	D	25	M5	12	8	16	10
K0154.506	D	32	M6	14	10	20	10
K0154.508	D	40	M8	18	13	25	14
K0154.510	D	50	M10	22	17	32	14
K0154.512	D	63	M12	26	21	40	18

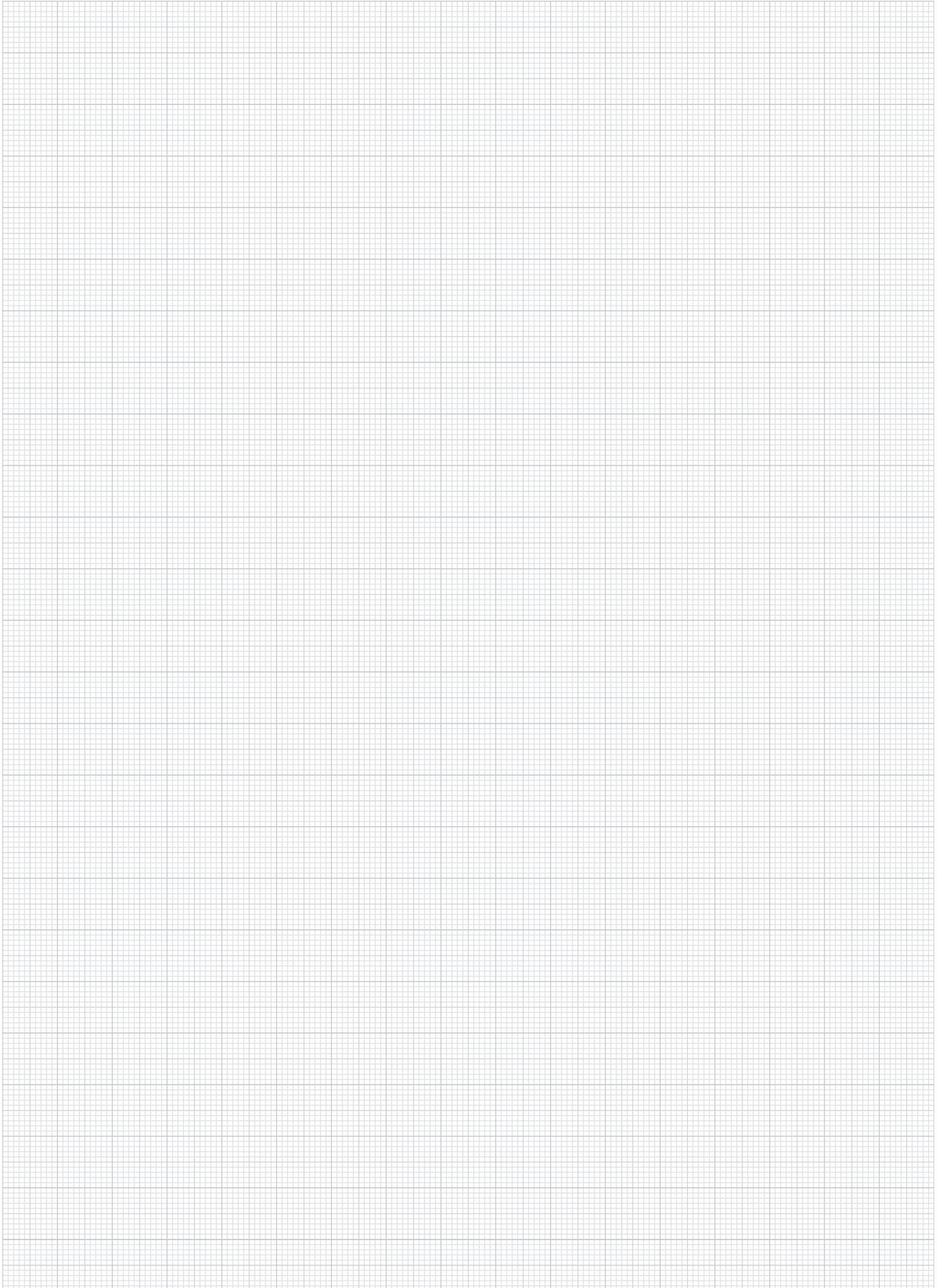
### KIPP Star grips similar to DIN 6336 metal parts stainless steel, with internal thread, Form K

Order No.	Form	D1	D5	D8	H3	H4	T6
K0154.205Δ	K	25	M5	12	8	16	10
K0154.206Δ	K	32	M6	14	10	20	10
K0154.208Δ	K	40	M8	18	13	25	14
K0154.210Δ	K	50	M10	22	17	32	14
K0154.212Δ	K	63	M12	26	21	40	18

### KIPP Star grips similar to DIN 6336 metal parts stainless steel, with external thread, Form L

Order No.	Form	D1	D6	D8	H3	H4	L
K0154.405ΔX	L	25	M5	12	8	16	15/20
K0154.406ΔX	L	32	M6	14	10	20	20/30
K0154.408ΔX	L	40	M8	18	13	25	15/20/25/30/40/60
K0154.410ΔX	L	50	M10	22	17	32	25/30/40/50/60

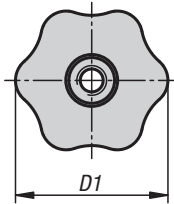
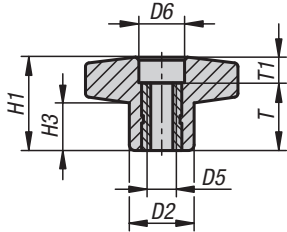




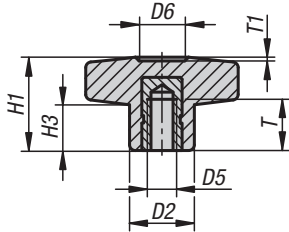
**Star grips**



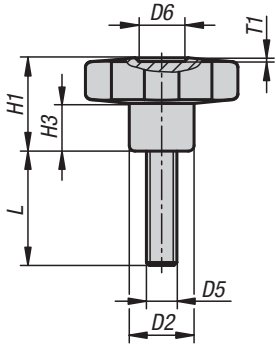
Form D  
tapped bush  
without cap



Form K  
with tapped bush



Form L  
external thread



**Material:**  
Fibreglass reinforced thermoplastic.  
Tapped bush brass.  
Screw steel.

**Version:**  
Grip, black.  
Screw galvanized.

**Sample order:**  
K1090.43006X16 (include length L)



## KIPP Star grips Form D

Order No.	Form	D1	D2	D5	D6	H1	H3	T	T1
K1090.53005	D	30	15	M5	11	22	11	18	4
K1090.53006	D	30	15	M6	11	22	11	18	4
K1090.53008	D	30	15	M8	11	22	11	18	4
K1090.54006	D	40	17	M6	12	24,5	12,5	18	6
K1090.54008	D	40	17	M8	12	24,5	12,5	18	6
K1090.54010	D	40	17	M10	12	24,5	12,5	18	6
K1090.55008	D	50	20	M8	14	29	15,5	18	11
K1090.55010	D	50	20	M10	14	29	15,5	18	11
K1090.55012	D	50	20	M12	14	29	15,5	18	11
K1090.56010	D	60	24	M10	16,5	34	18	18	16
K1090.56012	D	60	24	M12	16,5	34	18	18	16

## KIPP Star grips Form K

Order No.	Form	D1	D2	D5	D6	H1	H3	T	T1
K1090.23005	K	30	15	M5	9	22	11	14	1,5
K1090.23006	K	30	15	M6	9	22	11	10	1,5
K1090.24006	K	40	17	M6	12	24,5	12	16	1
K1090.24008	K	40	17	M8	12	24,5	12	14	1
K1090.24010	K	40	17	M10	12	24,5	12	14	1
K1090.25008	K	50	20	M8	14,5	29	15,5	14	1,5
K1090.25010	K	50	20	M10	14,5	29	15,5	14	1,5
K1090.25012	K	50	20	M12	14,5	29	15,5	18	1,5
K1090.26010	K	60	24	M10	18	34	18	21	1,5
K1090.26012	K	60	24	M12	18	34	18	18	1,5

## KIPP Star grips Form L

Order No.	Form	D1	D2	D5	D6	H1	H3	T1	L
K1090.43006X	L	30	15	M6	9	22	11	1,5	16/20/30
K1090.43008X	L	30	15	M8	9	22	11	1,5	16/20/30/40
K1090.44006X	L	40	17	M6	12	24,5	12,5	1	16/20/30/40
K1090.44008X	L	40	17	M8	12	24,5	12,5	1	20/30/40/50
K1090.45008X	L	50	20	M8	14,5	29	15	1,5	20/30/40
K1090.45010X	L	50	20	M10	14,5	29	15	1,5	20/30/40/50
K1090.46010X	L	60	24	M10	18	34	18	1,5	20/30/40/50
K1090.46012X	L	60	24	M12	18	34	18	1,5	20/30/40/50

## Star grips with safety band

similar to DIN 6336



**Material:**  
 Grip thermoplastic.  
 Bush and screw steel.  
 Safety band elastic TPU.

**Version:**  
 Bush and screw galvanized and blue chromed.

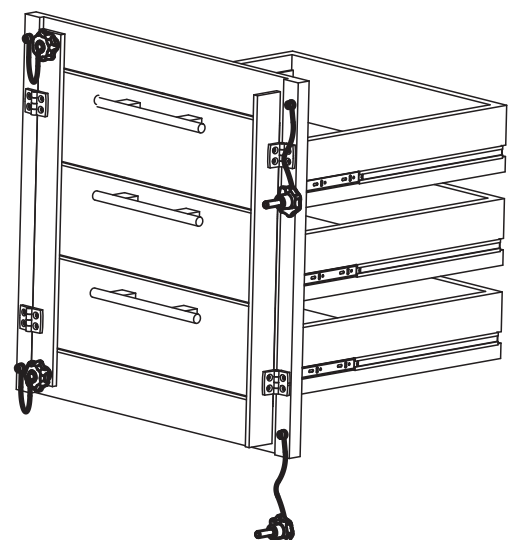
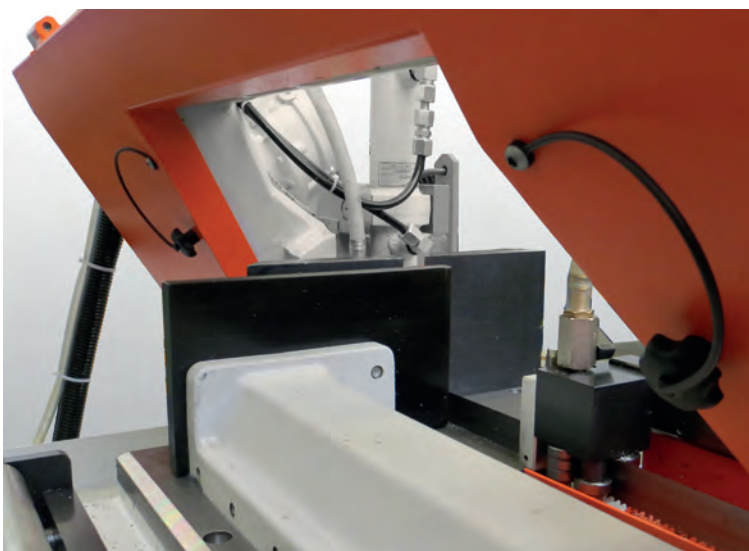
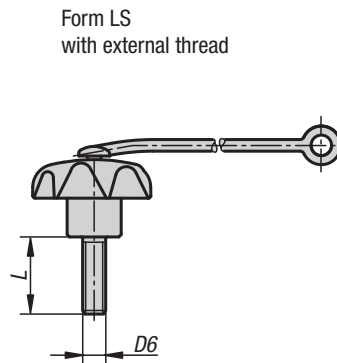
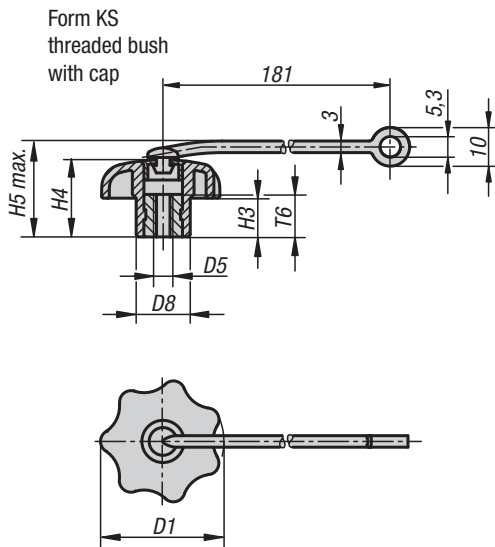
**Sample order:**  
 K0155.7056X15  
 (cap colour traffic red; include length L)

**Note:**  
 Δ Add the desired cap colour here. No colour code is required for black caps.

Attach the safety band to a base to make the star grip unlosable. The star grip cannot be moved far from the object to which it belongs, simplifying screwing and unscrewing of the grip and ensuring against loss.

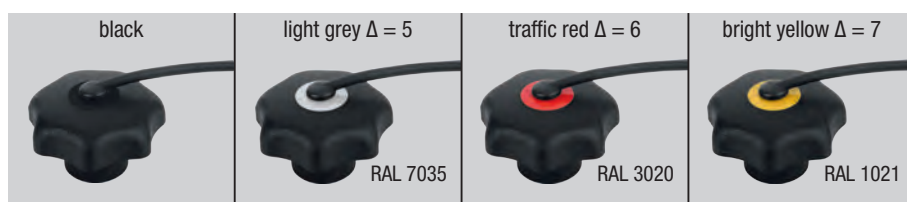
**Assembly:**  
 Do not stretch the band during assembly.  
 Make sure that the anchor is not too far from where the star grip is to be used.

**Accessories:**  
 The safety band is also available as an accessory, see K0743.04190.



## Star grips with safety band

similar to DIN 6336



### KIPP Star grips with safety band, internal thread, Form KS

Order No.	Form	D1	D5	D8	H3	H4	H5 max.	T6
K0155.604Δ	KS	25	M4	12	8	16	22	10
K0155.605Δ	KS	25	M5	12	8	16	22	10
K0155.6061Δ	KS	25	M6	12	8	16	22	10
K0155.6051Δ	KS	32	M5	14	10	20	26	10
K0155.606Δ	KS	32	M6	14	10	20	26	10
K0155.608Δ	KS	40	M8	18	13	25	31	14
K0155.6101Δ	KS	40	M10	18	13	25	31	14
K0155.6081Δ	KS	50	M8	22	17	32	38	14
K0155.610Δ	KS	50	M10	22	17	32	38	14
K0155.6121Δ	KS	50	M12	22	17	32	38	14
K0155.6102Δ	KS	63	M10	26	21	40	46	14
K0155.612Δ	KS	63	M12	26	21	40	46	14
K0155.616Δ	KS	63	M16	26	21	40	46	14

### KIPP Star grips with safety band, external thread, Form LS

Order No.	Form	D1	D6	D8	H3	H4	H5 max.	L
K0155.705ΔX	LS	25	M5	12	8	16	22	10/15/20/25/30/35/40/45/50/60
K0155.706ΔX	LS	25	M6	12	8	16	22	10/15/20/25/30/35/40/45/50/60
K0155.7061ΔX	LS	32	M6	14	10	20	26	10/15/20/25/30/35/40/45/50/60
K0155.708ΔX	LS	32	M8	14	10	20	26	15/20/25/30/35/40/45/50/60
K0155.7081ΔX	LS	40	M8	18	13	25	31	15/20/25/30/35/40/45/50/60
K0155.710ΔX	LS	40	M10	18	13	25	31	15/20/25/30/35/40/45/50/60
K0155.7101ΔX	LS	50	M10	22	17	32	38	15/20/25/30/35/40/45/50/60
K0155.712ΔX	LS	50	M12	22	17	32	38	15/20/25/30/35/40/45/50/60
K0155.7102ΔX	LS	63	M10	26	21	40	46	20/25/30/35/40/45/50/60
K0155.7121ΔX	LS	63	M12	26	21	40	46	20/25/30/35/40/45/50/60
K0155.716ΔX	LS	63	M16	26	21	40	46	30/35/40/45/50/60

## Star grips with safety band

similar to DIN 6336, metal parts stainless steel



**Material:**  
 Grip thermoplastic.  
 Bush and screw stainless steel 1.4305.  
 Safety band elastic TPU.

**Version:**  
 Bush and screw bright.

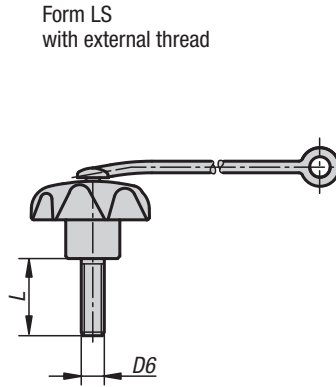
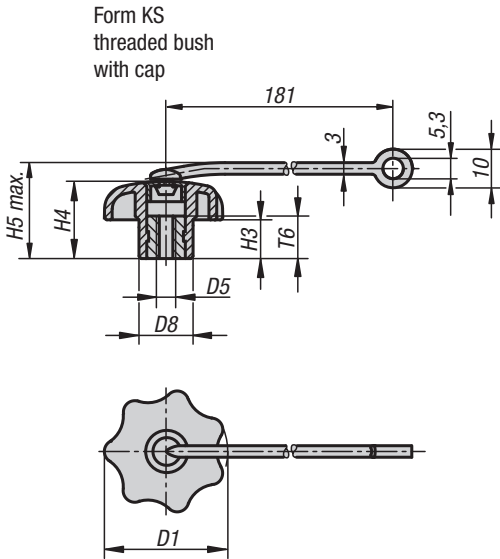
**Sample order:**  
 K0154.7056X15  
 (cap colour traffic red; include length L)

**Note:**  
 Δ Add the desired cap colour here. No colour code is required for black caps.

Attach the safety band to a base to make the star grip unlosable. The star grip cannot be moved far from the object to which it belongs, simplifying screwing and unscrewing of the grip and ensuring against loss.

**Assembly:**  
 Do not stretch the band during assembly.  
 Make sure that the anchor is not too far from where the star grip is to be used.

**Accessories:**  
 The safety band is also available as an accessory, see K0743.04190.

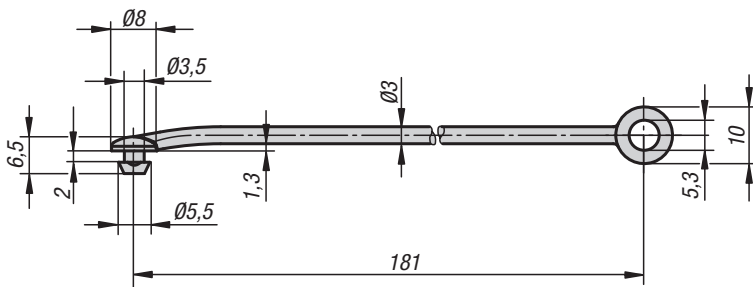
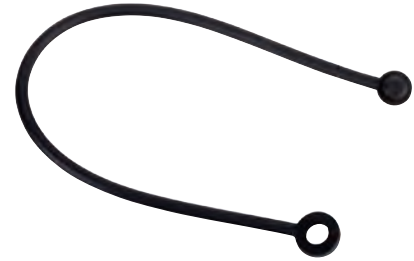


### KIPP Star grips with safety band, metal parts stainless steel, internal thread, Form KS

Order No.	Form	D1	D5	D8	H3	H4	H5 max.	T6
K0154.605Δ	KS	25	M5	12	8	16	22	10
K0154.606Δ	KS	32	M6	14	10	20	26	10
K0154.608Δ	KS	40	M8	18	13	25	31	14
K0154.610Δ	KS	50	M10	22	17	32	38	14
K0154.612Δ	KS	63	M12	26	21	40	46	18

### KIPP Star grips with safety band, metal parts stainless steel, external thread, Form LS

Order No.	Form	D1	D6	D8	H3	H4	H5 max.	L
K0154.705ΔX	LS	25	M5	12	8	16	22	15/20
K0154.706ΔX	LS	32	M6	14	10	20	26	20/30
K0154.708ΔX	LS	40	M8	18	13	25	31	15/20/25/30/40/60
K0154.710ΔX	LS	50	M10	22	17	32	38	25/30/40/50/60

**Material:**

Thermoplastic urethane TPU.

**Sample order:**

K0743.04190

**Note:**

This safety band has a high breaking strain and good elasticity.

Depending on the wall thickness, it can be attached to almost every operating part, fastening element or other object to make them unlosable.

It was especially conceived for the star grips K0154, K0155 to make them unlosable operating parts.

Refitting of existing star grips K0154, K0155 as well as knurled knobs K0260, K0261 and K0247 from our assortment is possible with this safety band.

**Assembly:**

Recommended hole  $\varnothing$  3.8-0.1.

The hole edge should be deburred.

A Teflon based lubrication is recommended to aid assembly.

**KIPP Safety band**

Order No.	Dimensions
K0743.04190	see drawing

## Star grips quick-acting

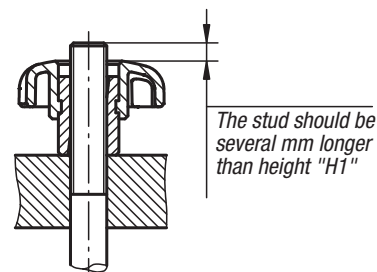
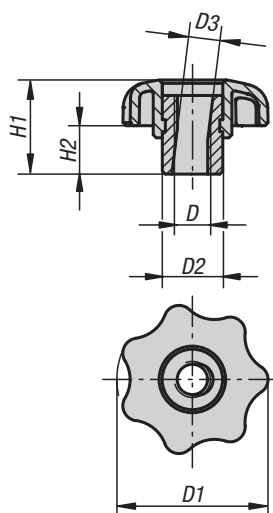


**Material:**  
Black thermoplastic.  
Bush steel.

**Version:**  
Bush galvanized and blue chromed.

**Sample order:**  
K0156.06

**Note:**  
Quick-acting star grips can be used on all fixtures that do not require a high clamping force.  
Tilt the grip to slide on, then straighten it to engage the threads.



### KIPP Star grips quick-acting

Order No.	D	D1	D2	D3	H1	H2
K0156.05	M5	25	10	5,2	16,6	9
K0156.06	M6	32	13,5	6,2	20,6	11
K0156.08	M8	40	13,5	8,3	24,5	13
K0156.10	M10	50	19	10,3	31,2	17
K0156.12	M12	63	19	12,7	39,3	21



## Star grips

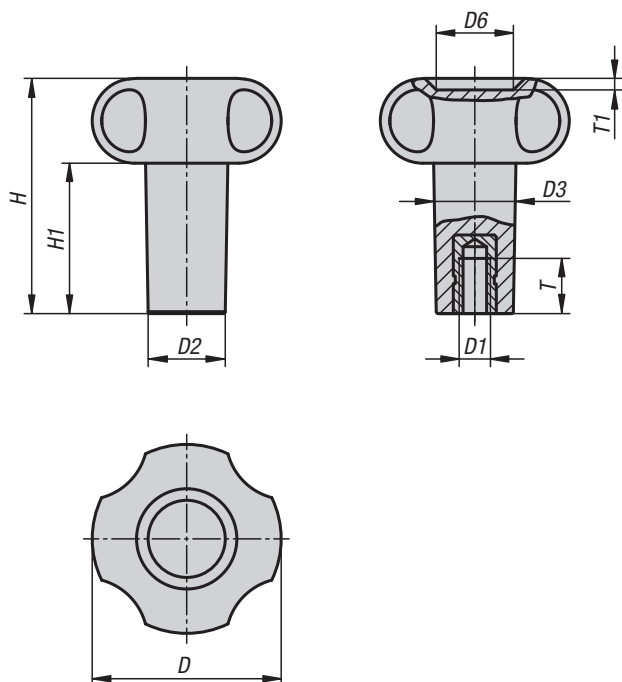
with extended hub



**Material:**  
Fibreglass reinforced thermoplastic.  
Tapped bush brass.

**Version:**  
black.

**Sample order:**  
K1088.2410685



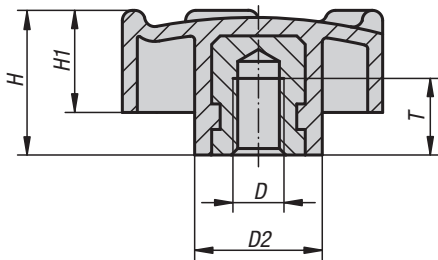
### KIPP Star grips with extended hub

Order No.	Form	D	D1	D2	D3	D6	H	H1	T	T1
K1088.2410685	K	41	M6	14,8	15,5	12	85	66	18	3
K1088.2520861	K	52	M8	17,5	19	14	61	39	15	2,5
K1088.2521071	K	52	M10	18	20,5	14	71	49	15	2,5

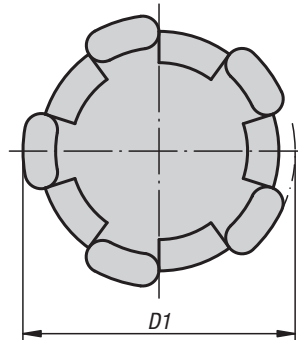
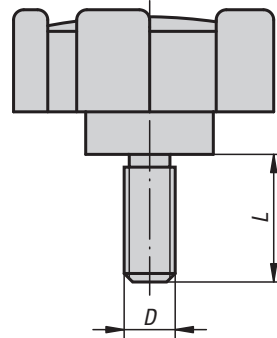
## Ribbed grips



ribbed grip  
with internal thread



ribbed grip  
with external thread



**Novo-Grip ribbed grips make life easier. The ergonomic „edge rib configuration“ and the perfect proportioning open up new operating-specific potential.**

**Material:**

Grip black grey thermoplastic.  
Bush steel.  
Threaded pin steel 5.8.

**Version:**

Bush galvanized.  
Threaded pin blue chromed.

**Sample order:**

K0276.3206

### KIPP Ribbed grips with internal thread

Order No.	Size	D	D1	D2	H	H1	T
K0276.3206	1	M6	32	15	17	12	9
K0276.4008	2	M8	40	18	20,5	14,5	11
K0276.5010	3	M10	50	20	25	18	14

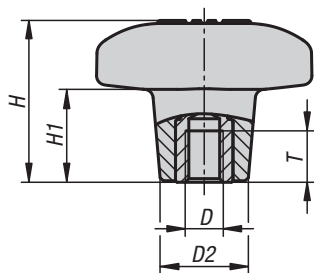
### KIPP Ribbed grips with external thread

Order No.	Size	D	D1	D2	H	H1	L
K0276.320615	1	M6	32	15	17	12	15
K0276.400816	2	M8	40	18	20,5	14,5	16
K0276.501020	3	M10	50	20	25	18	20

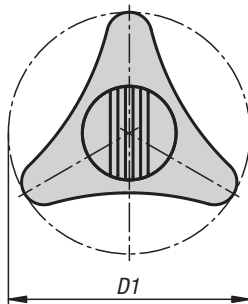
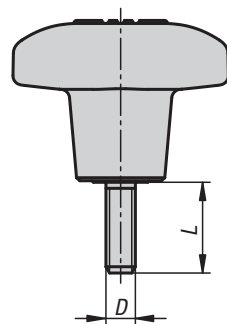
## Triangular grips



Triangular grip with internal thread



Triangular grip with external thread



**Material:**

Grip glass-bead reinforced thermoplastic.  
Cap thermoplastic.  
Steel parts grade 5.8

**Version:**

Grip and cap, black grey (RAL 7021).  
Steel parts blue chromed.

**Sample order:**

K1020.18010X15 (include length L)

**On request:**

Other screw lengths and colours.  
Metal parts stainless steel.

### KIPP Triangular grips, internal thread

Order No.	D	D1	D2	H	H1	T
K1020.18008	M8	80	29,2	53,5	31	17
K1020.18010	M10	80	29,2	53,5	31	17
K1020.18012	M12	80	29,2	53,5	31	17

### KIPP Triangular grips, external thread

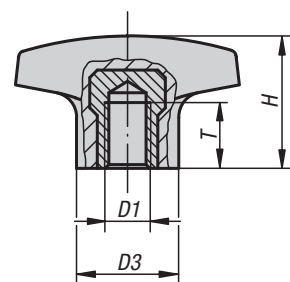
Order No.	D	D1	D2	H	H1	L
K1020.18008X	M8	80	29,2	53,5	31	15/20/30/40/50
K1020.18010X	M10	80	29,2	53,5	31	15/20/30/40/50
K1020.18012X	M12	80	29,2	53,5	31	15/20/30/40/50

## Triangular grips

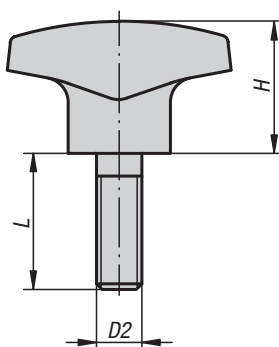
with high collar



Triangular grip with internal thread



Triangular grip with external thread



**Material:**

Black Duroplast PF 31.  
Bush and screw galvanized steel or bright stainless steel.

**Version:**

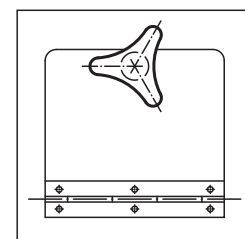
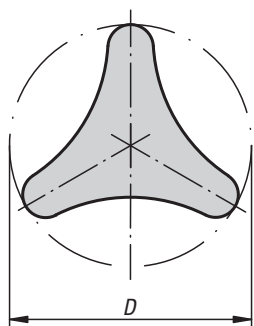
High-gloss polished.

**Sample order:**

K0183.14008X20

**On request:**

Other screw sizes, screw lengths and colours.



### KIPP Triangular grips with high collar, internal thread

Order No.	Version	D	D1	D3	H	T
K0183.14006	bush steel	40	M6	14	22	12
K0183.15008	bush steel	50	M8	18	28	14
K0183.16210	bush steel	62	M10	22	35	14
K0183.24006	bush stainless steel	40	M6	12	22	9
K0183.25008	bush stainless steel	50	M8	15	28	13
K0183.26210	bush stainless steel	62	M10	18	35	13

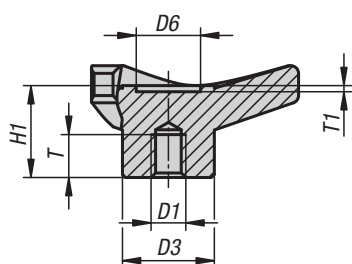
### KIPP Triangular grips with high collar, external thread

Order No.	Version	D	D2	D3	H	L
K0183.14006X15	screw steel	40	M6	14	22	15
K0183.14008X20	screw steel	40	M8	14	22	20
K0183.15008X20	screw steel	50	M8	18	28	20
K0183.15010X25	screw steel	50	M10	22	28	25
K0183.16210X25	screw steel	62	M10	22	35	25
K0183.24006X20	screw stainless steel	40	M6	12	22	20
K0183.24008X20	screw stainless steel	40	M8	12	22	20
K0183.25008X20	screw stainless steel	50	M8	15	28	20
K0183.25010X30	screw stainless steel	50	M10	15	28	30
K0183.26210X30	screw stainless steel	62	M10	18	35	30

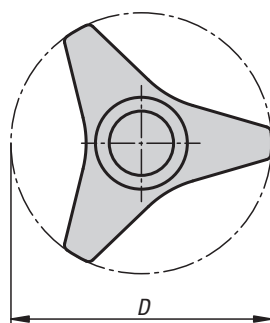
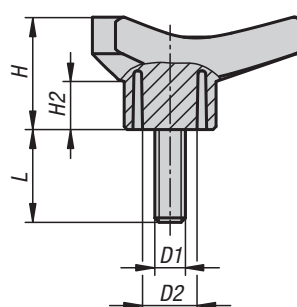
## Triangular grips



Form K  
with tapped bush



Form L  
external thread



**Material:**  
Fibreglass reinforced thermoplastic.  
Tapped bush brass.  
Screw steel.

**Version:**  
Grip, black.  
Screw galvanized.

**Sample order:**  
K1083.48510X20 (include length L)

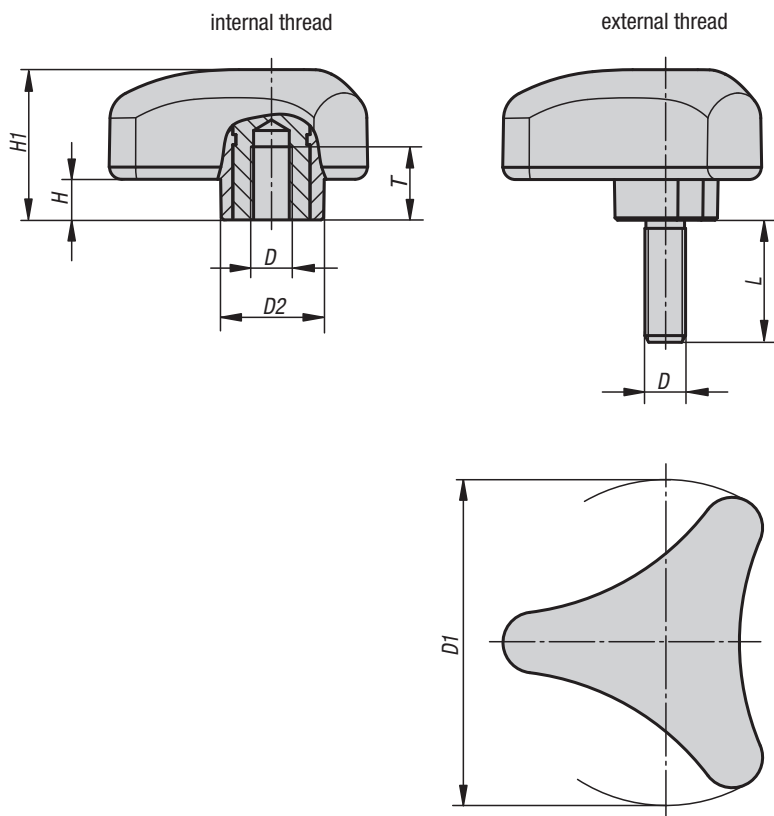
### KIPP Triangular grips with internal thread

Order No.	Form	D	D1	D3	D6	H	H1	H2	T1	T
K1083.24506	K	45	M6	16	11	21	18	10	1	9
K1083.26508	K	65	M8	22	15,5	28	23,5	11,5	1,5	11
K1083.26510	K	65	M10	22	15,5	28	23,5	11,5	1,5	11
K1083.28510	K	85	M10	30	21	37	30,5	16	2	14
K1083.28512	K	85	M12	30	21	37	30,5	16	2	19
K1083.210512	K	105	M12	35	25	46	37,5	19	2	17
K1083.210514	K	105	M14	35	25	46	37,5	19	2	19

### KIPP Triangular grips with external thread

Order No.	Form	D	D1	D2	D3	D6	H	H1	H2	T1	L
K1083.48508X	L	85	M8	18	30	21	37	30,5	16	2	20/30
K1083.48510X	L	85	M10	18	30	21	37	30,5	16	2	20/30
K1083.48512X	L	85	M12	18	30	21	37	30,5	16	2	20/40
K1083.410512X	L	105	M12	20	35	25	46	37,5	19	2	30/50

# Triangular grips ergonomic



**Material:**

Hard components fibreglass reinforced plastic.  
Soft components thermoplastic elastomer.  
Bush or screw, steel grade 5.8 or stainless steel 1.4305.

**Version:**

Steel blue chromed.  
Stainless steel, bright.

**Sample order:**

K0785.8008X20

**Note:**

The colour combination black grey RAL 7021 (hard components) and black grey RAL 7021 (soft components) are supplied as standard.

**On request:**

Other versions.

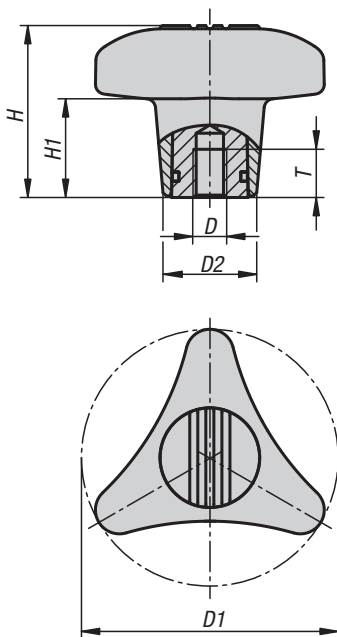
## KIPP Triangular grips ergonomic with internal thread

Order No.	Version	D	D1	D2	H	H1	T
K0785.8008	bush steel	M8	80	26	10	37	17
K0785.8010	bush steel	M10	80	26	10	37	17
K0785.8012	bush steel	M12	80	26	10	37	17
K0785.08008	bush stainless steel	M8	80	26	10	37	17
K0785.08010	bush stainless steel	M10	80	26	10	37	17
K0785.08012	bush stainless steel	M12	80	26	10	37	17

## KIPP Triangular grips ergonomic with external thread

Order No.	Version	D	D1	D2	H	H1	L
K0785.8008X	screw steel	M8	80	26	10	37	20/25/30/40
K0785.8010X	screw steel	M10	80	26	10	37	30/40/50
K0785.8012X	screw steel	M12	80	26	10	37	30/40/50/60
K0785.08008X	screw stainless steel	M8	80	26	10	37	20/25/30/40
K0785.08010X	screw stainless steel	M10	80	26	10	37	30/40/50
K0785.08012X	screw stainless steel	M12	80	26	10	37	30/40/50/60

## Triangular torque grips



**Material:**

Grip glass-bead reinforced thermoplastic.  
Cap thermoplastic.  
Metal parts hardened stainless steel.

**Version:**

Grip and cap, black grey (RAL 7021).  
Stainless steel parts, electropolished.

**Sample order:**

K1019.180105

**Note:**

An audible click signals when the maximum torque has been reached. The grip can only be tightened with the maximum torque specified in the table.

**On request:**

Other internal threads, maximum torques and colours.

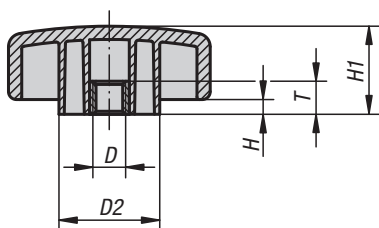
### KIPP Triangular torque grips

Order No.	D	D1	D2	H	H1	T	Max. torque Nm
K1019.180085	M8	80	29,2	53,5	31	13	5
K1019.180105	M10	80	29,2	53,5	31	13	5
K1019.180125	M12	80	29,2	53,5	31	13	5

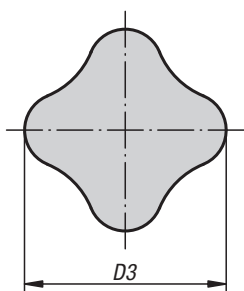
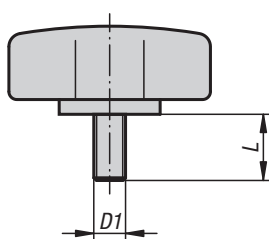
# Four lobe grips flat



Form K  
internal thread



Form L  
external thread



Extraordinary gripping safety combined with attractive design are key elements to outstanding functionality. The flat construction make these four lobe grips suitable for low working spaces.

**Material, version:**  
 Grip black hard thermoplastic.  
 Coating black soft thermoplastic.  
 Tapped bush brass.  
 Screw galvanized steel grade 5.8.

**Sample order:**  
 K0278.3506X20 (include length L)

**Note:**  
 SYMPA TOUCH flat four lobe grips are available in 5 sizes of internal and external threads.

**On request:**  
 Other screw sizes, screw lengths, versions and colours.



## Four lobe grips flat



## KIPP Four lobe grips, flat, with internal thread

Order No.	Form	D	D2	D3	H	H1	T
K0278.3505	K	M5	14,2	35,5	2,8	15,5	12,5
K0278.3506	K	M6	14,2	35,5	2,8	15,5	12,5
K0278.4405	K	M5	17,5	44,5	3,3	19,3	12,5
K0278.4406	K	M6	17,5	44,5	3,3	19,3	12,5
K0278.4408	K	M8	17,5	44,5	3,3	19,3	12,5
K0278.4410	K	M10	17,5	44,5	3,3	19,3	12,5
K0278.5005	K	M5	23,6	50,8	3,8	22,1	12,5
K0278.5006	K	M6	23,6	50,8	3,8	22,1	12,5
K0278.5008	K	M8	23,6	50,8	3,8	22,1	12,5
K0278.5010	K	M10	23,6	50,8	3,8	22,1	12,5
K0278.6306	K	M6	31,7	63,5	4,6	27,7	12,5
K0278.6308	K	M8	31,7	63,5	4,6	27,7	12,5
K0278.6310	K	M10	31,7	63,5	4,6	27,7	12,5
K0278.6312	K	M12	31,7	63,5	4,6	27,7	12,5
K0278.7608	K	M8	38,1	76,2	5,6	33,3	12,5
K0278.7610	K	M10	38,1	76,2	5,6	33,3	12,5
K0278.7612	K	M12	38,1	76,2	5,6	33,3	12,5

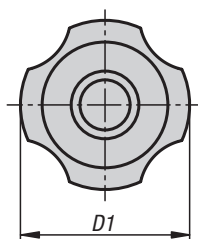
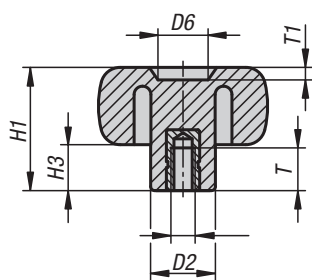
## KIPP Flat four lobe grips, flat, with external thread

Order No.	Form	D1	D2	D3	H	H1	L
K0278.3506X	L	M6	14,2	35,5	2,8	15,5	15/20/25/35
K0278.4406X	L	M6	17,5	44,5	3,3	19,3	15/20/25/35
K0278.4408X	L	M8	17,5	44,5	3,3	19,3	16/25/35
K0278.4410X	L	M10	17,5	44,5	3,3	19,3	20/30/40/50
K0278.5006X	L	M6	23,6	50,8	3,8	22,1	15/20/25/35
K0278.5008X	L	M8	23,6	50,8	3,8	22,1	16/25/35
K0278.5010X	L	M10	23,6	50,8	3,8	22,1	30/40/50
K0278.6306X	L	M6	31,7	63,5	4,6	27,7	15/20/25/35
K0278.6308X	L	M8	31,7	63,5	4,6	27,7	16/25/35
K0278.6310X	L	M10	31,7	63,5	4,6	27,7	30/40/50
K0278.7608X	L	M8	38,1	76,2	5,6	33,3	16/25/35
K0278.7610X	L	M10	38,1	76,2	5,6	33,3	30/40/50

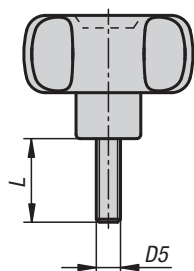
## Four lobe grips



Form K  
with tapped bush



Form L  
external thread



**Material:**

Fibreglass reinforced thermoplastic.  
Tapped bush brass.  
Screw steel.

**Version:**

Grip, black.  
Screw galvanized.

**Sample order:**

K1093.43006X20 (include length L)

### KIPP Four lobe grips with internal thread

Order No.	Form	D1	D2	D5	D6	H1	H3	T1	T
K1093.23006	K	30	15	M6	12	23	9,5	2	10
K1093.24006	K	40,5	15,5	M6	12	29,5	11	3	10
K1093.24008	K	40,5	15	M8	12	27,5	11	3	14
K1093.25208	K	50	20,5	M8	14,5	32,5	11	2,5	14
K1093.25210	K	50	20,5	M10	14,5	32,5	11	2,5	13
K1093.26010	K	59	23	M10	24	40	15	4	14
K1093.26012	K	59	23	M12	24	40	15	4	18

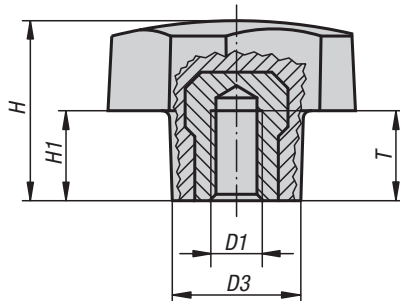
### KIPP Four lobe grips with external thread

Order No.	Form	D1	D2	D5	D6	H1	H3	T1	L
K1093.43006X16	L	30	15	M6	12	23	9,5	2	16/20/30/40/50
K1093.44006X16	L	40,5	15,5	M6	12	29,5	11	3	16/20
K1093.44008X20	L	40,5	15	M8	12	29,5	11	3	20/30/40
K1093.45208X16	L	50	20,5	M8	14,5	32,5	11	2,5	16/20/30/40/50
K1093.46010X20	L	59	23	M10	24	40	15	4	20/30/40/50
K1093.46012X50	L	59	23	M12	24	40	15	4	50
K1093.48010X30	L	79	30	M10	21	41	17	3	30/50
K1093.48012X50	L	79	30	M12	21	41	17	3	50

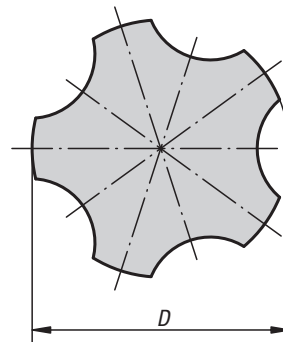
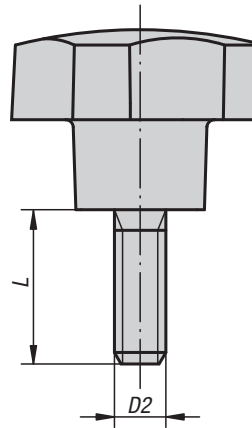
## Five lobe grips



Five lobe grip  
with internal thread



Five lobe grip  
with external thread



**Material:**

Duroplast PF 31, black.  
Bush and stud galvanized steel.

**Version:**

High-gloss polished.

**Sample order:**

K0185.3206X12 (include length L)

**Note:**

The versions K0185.3205 and K0185.3206 have a brass bush.

**On request:**

Other screw sizes, screw lengths and colours.

### KIPP Five lobe grips with internal thread

Order No.	D	D1	D3	H	H1	T
K0185.3205	32	M5	16	22,4	11,2	10
K0185.3206	32	M6	16	22,4	11,2	9
K0185.4006	40	M6	20	28	14	12
K0185.4008	40	M8	20	28	14	14
K0185.4010	40	M10	20	28	14	14
K0185.5008	50	M8	25	35	17,5	14
K0185.5010	50	M10	25	35	17,5	14

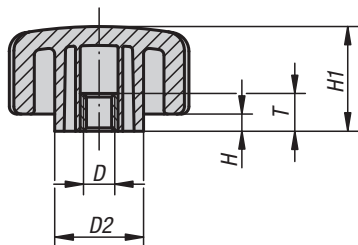
### KIPP Five lobe grips with external thread

Order No.	D	D2	D3	H	H1	L
K0185.3206X	32	M6	16	22,4	11,2	12/18
K0185.3208X	32	M8	16	22,4	11,2	16/24
K0185.4006X	40	M6	20	28	14	18
K0185.4008X	40	M8	20	28	14	16/20/24
K0185.4010X	40	M10	20	28	14	30
K0185.5008X	50	M8	25	35	17,5	16/24
K0185.5010X	50	M10	25	35	17,5	20/30

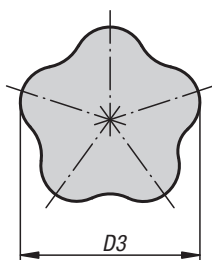
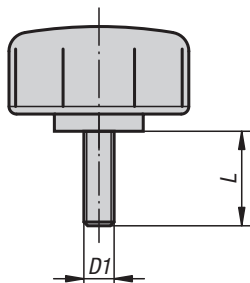
## Five lobe grips



Form K  
internal thread



Form L  
external thread



The material and form lend this grip a natural and secure gripping effect.

**Material, version:**  
Grip black hard thermoplastic.  
Coating black soft thermoplastic.  
Tapped bush brass.  
Screw galvanized steel grade 5.8.

**Sample order:**  
K0279.4006X20 (include length L)

**Note:**  
SYMPA TOUCH five lobe grips are available in 3 sizes with internal and external threads.

**On request:**  
Other screw sizes, screw lengths, versions and colours.

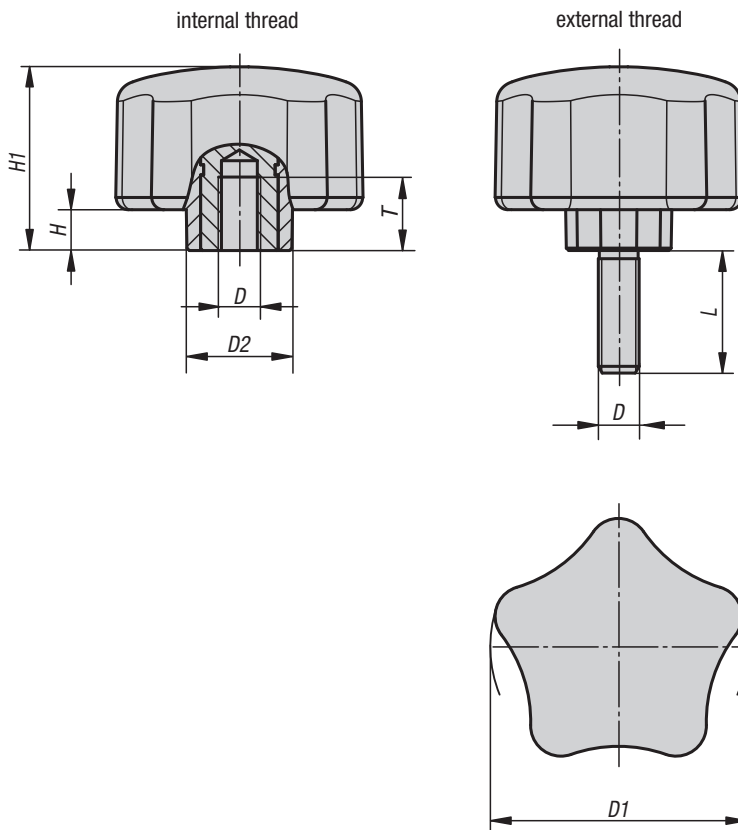
### KIPP Five lobe grips with internal thread

Order No.	Form	D	D2	D3	H	H1	T
K0279.4005	K	M5	19	40	4,6	27,7	12,5
K0279.4006	K	M6	19	40	4,6	27,7	12,5
K0279.4008	K	M8	19	40	4,6	27,7	12,5
K0279.4010	K	M10	19	40	4,6	27,7	12,5
K0279.5006	K	M6	23,5	50	4,6	27,7	12,5
K0279.5008	K	M8	23,5	50	4,6	27,7	12,5
K0279.5010	K	M10	23,5	50	4,6	27,7	12,5
K0279.6006	K	M6	31,8	60	4,6	27,7	12,5
K0279.6008	K	M8	31,8	60	4,6	27,7	12,5
K0279.6010	K	M10	31,8	60	4,6	27,7	12,5

### KIPP Five lobe grips with external thread

Order No.	Form	D1	D2	D3	H	H1	L
K0279.4006X	L	M6	19	40	4,6	27,7	15/20/25/35
K0279.4008X	L	M8	19	40	4,6	27,7	16/25/35
K0279.4010X	L	M10	19	40	4,6	27,7	20/30/40/50
K0279.5006X	L	M6	23,5	50	4,6	27,7	15/20/25/35
K0279.5008X	L	M8	23,5	50	4,6	27,7	16/25/35
K0279.5010X	L	M10	23,5	50	4,6	27,7	30/40/50
K0279.6006X	L	M6	31,8	60	4,6	27,7	15/20/25/35
K0279.6008X	L	M8	31,8	60	4,6	27,7	16/25/35
K0279.6010X	L	M10	31,8	60	4,6	27,7	20/30/40/50

## Five lobe grips ergonomic



**Material:**

Hard components fibreglass reinforced plastic.  
Soft components thermoplastic elastomer.  
Bush or screw, steel grade 5.8 or stainless steel 1.4305.

**Version:**

Steel blue chromed.  
Stainless steel, bright.

**Sample order:**

K0786.6308X20

**Note:**

The colour combination black grey RAL 7021 (hard components) and black grey RAL 7021 (soft components) are supplied as standard.

**On request:**

Other versions.

### KIPP Five lobe grips ergonomic with internal thread

Order No.	Version	D	D1	D2	H	H1	T
K0786.6308	bush steel	M8	63	26	10	45	17
K0786.6310	bush steel	M10	63	26	10	45	17
K0786.06308	bush stainless steel	M8	63	26	10	45	17
K0786.06310	bush stainless steel	M10	63	26	10	45	17

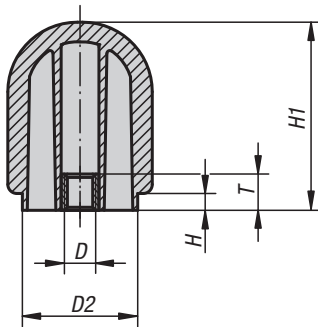
### KIPP Five lobe grips ergonomic with external thread

Order No.	Version	D	D1	D2	H	H1	L
K0786.6308X	screw steel	M8	63	26	10	45	20/25/30/40
K0786.6310X	screw steel	M10	63	26	10	45	30/40/50
K0786.06308X	screw stainless steel	M8	63	26	10	45	20/25/30/40
K0786.06310X	screw stainless steel	M10	63	26	10	45	30/40/50

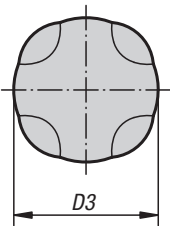
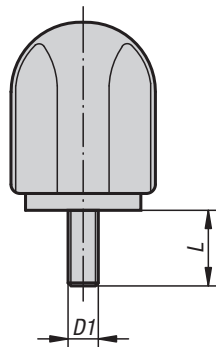
## Clamping grips high form



Form K  
internal thread



Form L  
external thread



These grips are distinguished by their unusual design. The high form permits high clamping forces while being gentle to the hand.

**Material, version:**

Grip black hard thermoplastic.  
Coating black soft thermoplastic.  
Tapped bush brass.  
Screw galvanized steel grade 5.8.

**Sample order:**

K0280.4206X20 (include length L)

**Note:**

SYMPA TOUCH high form clamping grips are available in 2 grip sizes with internal and external threads.

**On request:**

Other screw sizes, screw lengths, versions and colours.

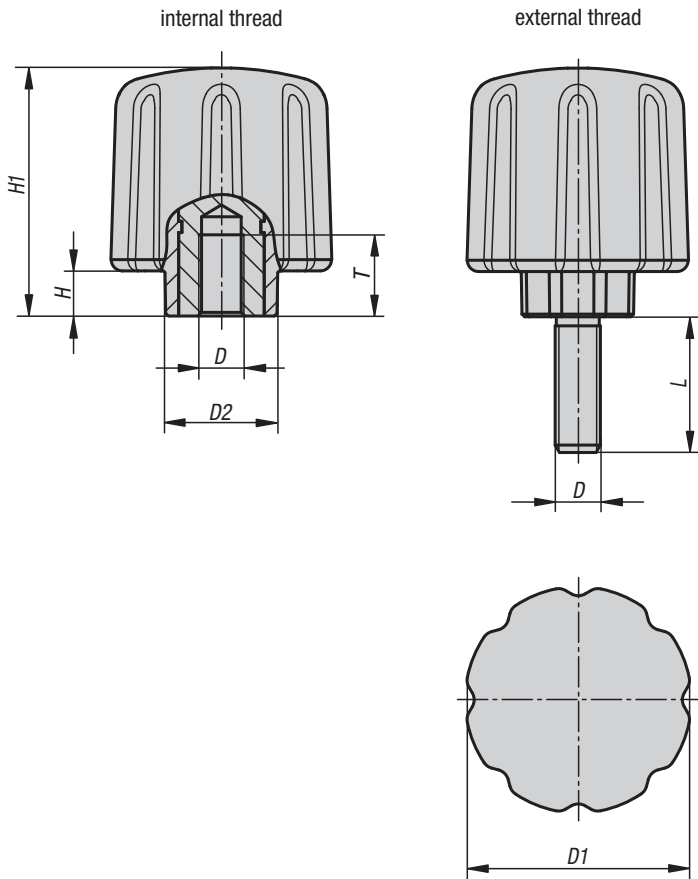
### KIPP Clamping grips high form with internal thread

Order No.	Form	D	D2	D3	H	H1	T
K0280.4206	K	M6	34	42,7	4,8	55,6	12,5
K0280.4208	K	M8	34	42,7	4,8	55,6	12,5
K0280.4210	K	M10	34	42,7	4,8	55,6	12,5
K0280.4212	K	M12	34	42,7	4,8	55,6	12,5
K0280.4706	K	M6	38,1	47,8	5,6	62,2	12,5
K0280.4708	K	M8	38,1	47,8	5,6	62,2	12,5
K0280.4710	K	M10	38,1	47,8	5,6	62,2	12,5
K0280.4712	K	M12	38,1	47,8	5,6	62,2	12,5

### KIPP Clamping grips high form with external thread

Order No.	Form	D1	D2	D3	H	H1	L
K0280.4206X	L	M6	34	42,7	4,8	55,6	15/20/25/35
K0280.4208X	L	M8	34	42,7	4,8	55,6	16/25/35
K0280.4210X	L	M10	34	42,7	4,8	55,6	20/30/40/50
K0280.4706X	L	M6	38,1	47,8	5,6	62,2	20/35
K0280.4708X	L	M8	38,1	47,8	5,6	62,2	35
K0280.4710X	L	M10	38,1	47,8	5,6	62,2	40/50

## Clamping grips ergonomic



**Material:**

Hard components fibreglass reinforced plastic.  
Soft components thermoplastic elastomer.  
Bush or screw, steel grade 5.8 or stainless steel 1.4305.

**Version:**

Steel blue chromed.  
Stainless steel, bright.

**Sample order:**

K0779.5006X20

**Note:**

The colour combination black grey RAL 7021 (hard components) and black grey RAL 7021 (soft components) are supplied as standard.

**On request:**

Other versions.

### KIPP Clamping grips ergonomic with internal thread

Order No.	Version	D	D1	D2	H	H1	T
K0779.5006	bush steel	M6	50	26	10	55	17
K0779.5008	bush steel	M8	50	26	10	55	17
K0779.5010	bush steel	M10	50	26	10	55	17
K0779.05006	bush stainless steel	M6	50	26	10	55	17
K0779.05008	bush stainless steel	M8	50	26	10	55	17
K0779.05010	bush stainless steel	M10	50	26	10	55	17

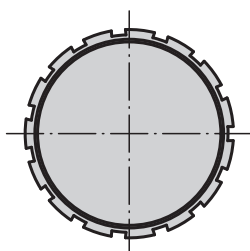
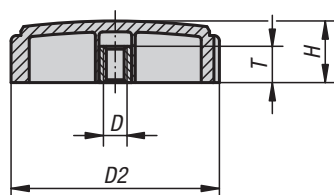
### KIPP Clamping grips ergonomic with external thread

Order No.	Version	D	D1	D2	H	H1	L
K0779.5006X	screw steel	M6	50	26	10	55	15/20/25/30
K0779.5008X	screw steel	M8	50	26	10	55	20/25/30/40
K0779.5010X	screw steel	M10	50	26	10	55	30/40/50
K0779.05006X	screw stainless steel	M6	50	26	10	55	15/20/25/30
K0779.05008X	screw stainless steel	M8	50	26	10	55	20/25/30/40
K0779.05010X	screw stainless steel	M10	50	26	10	55	30/40/50

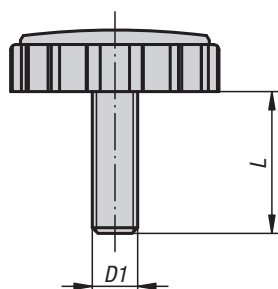
## Knurled screws



Form K  
internal thread



Form L  
external thread



Due to their extremely flat design, these grips can be used in very cramped spaces. The fluting around the edge improves gripping.

**Material, version:**

Grip black hard thermoplastic.  
Coating black soft thermoplastic.  
Tapped bush brass.  
Screw galvanized steel grade 5.8.

**Sample order:**

K0281.5706X20 (include length L)

**Note:**

SYMPA TOUCH Knurled screws are available in one grip size with internal and external threads.

**On request:**

Other screw sizes, screw lengths, versions and colours.

### KIPP Knurled screw with internal thread

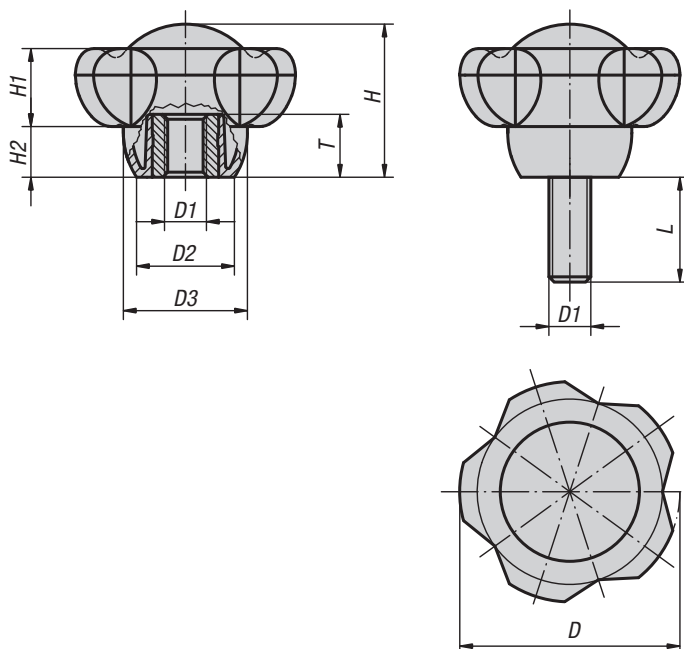
Order No.	Form	D	D2	H	T
K0281.5705	K	M5	57,4	17	12,5
K0281.5706	K	M6	57,4	17	12,5
K0281.5708	K	M8	57,4	17	12,5
K0281.5710	K	M10	57,4	17	12,5

### KIPP Knurled screw with external thread

Order No.	Form	D1	D2	H	L
K0281.5706X	L	M6	57,4	17	15/20/25/35
K0281.5708X	L	M8	57,4	17	16/25/30/35
K0281.5710X	L	M10	57,4	17	30/40/50



## Five lobe grips



This newly developed design eases operating and clamping processes. Completely new freedom of applications and the associated creativity contribute towards harmonizing human requirements and the stipulated grip safety.

**Material:**

Thermoplastic, black grey.  
Bush and screw steel 5.8 or stainless steel 1.4305.

**Version:**

Blue-chromed steel or bright stainless steel.

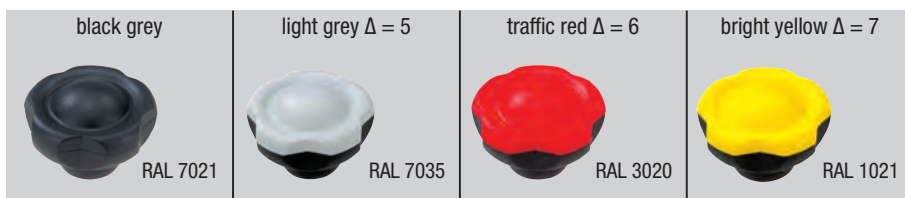
**Sample order:**

K0255.50106X30  
(cap colour traffic red; include length L)

**Note:**

The screw lengths 15, 35 and 45 are not available in stainless steel.

Δ Add the desired cap colour here. No colour code is required for black grey caps.



### KIPP Five lobe grips with internal thread

Order No. bush steel	Order No. bush stainless steel	D	D1	D2	D3	H	H1	H2	T
K0255.5008Δ	K0255.50081Δ	50	M8	22,2	28,2	34,8	17,8	11,5	14
K0255.5010Δ	K0255.50101Δ	50	M10	22,2	28,2	34,8	17,8	11,5	14
K0255.5012Δ	K0255.50121Δ	50	M12	22,2	28,2	34,8	17,8	11,5	18
K0255.6310Δ	K0255.63101Δ	63	M10	28	35,5	44	22,5	14,5	14
K0255.6312Δ	K0255.63121Δ	63	M12	28	35,5	44	22,5	14,5	18
K0255.6316Δ	-	63	M16	28	35,5	44	22,5	14,5	18

### KIPP Five lobe grips with external thread

Order No. screw steel	Order No. screw stainless steel	D	D1	D2	D3	H	H1	H2	L
K0255.5010ΔX	K0255.50101ΔX	50	M10	22,2	28,2	34,8	17,8	11,5	15/20/25/30/35/40/45/50/60
K0255.5012ΔX	-	50	M12	22,2	28,2	34,8	17,8	11,5	15/20/25/30/35/40/45/50/60
K0255.6310ΔX	K0255.63101ΔX	63	M10	28	35,5	44	22,5	14,5	20/25/30/35/40/45/50/60
K0255.6312ΔX	-	63	M12	28	35,5	44	22,5	14,5	20/25/30/35/40/45/50/60

## Five lobe grips antibacterial

metal parts stainless steel



**Material:**

Thermoplastic, slate grey.  
Bush or threaded pin stainless steel 1.4305.

**Version:**

Stainless steel bright.

**Sample order:**

K0255.1263101144X20

**Application:**

The antibacterial KIPP MEDI grip products are highly effective against a variety of hazardous microorganisms, such as bacteria, fungi, viruses and even multi-resistant bacteria (e.g. MRSA). The plastic used incorporates micro-silver particles with an antimicrobial effect to ensure effective results throughout the entire product life cycle.

**Function:**

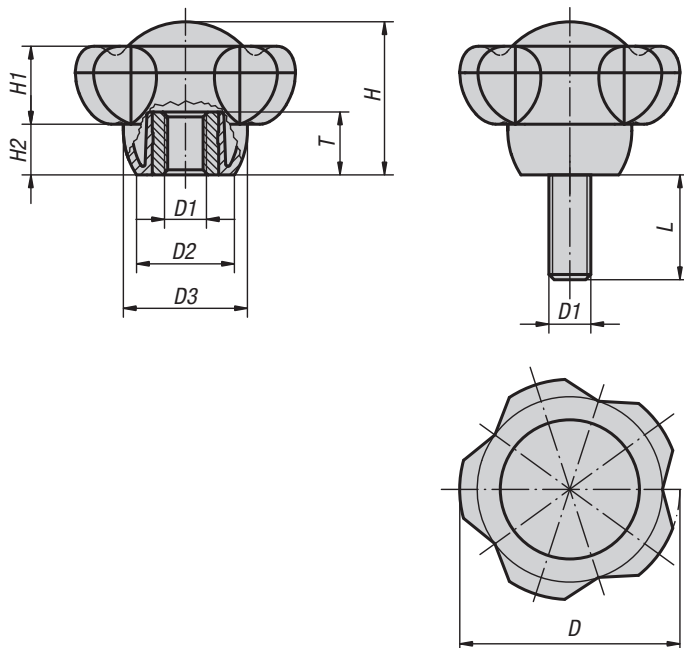
Silver ions are effective in preventing harmful microorganisms from forming on the product surface, promoting a constant reduction of the existing germs on the MEDI grip products (as tested and confirmed by an accredited testing laboratory). During cleaning cycles the risk of infection while touching these products is significantly lower.

**Advantages:**

Resistant to humidity and cleaning products (during disinfection) with no toxic side effects.

**Applications:**

For installation on machines, equipment, plants and furnishings in areas with increased hygienic requirements (including hospitals, doctors' surgeries, rehabilitation centres and food production facilities), as well as for use in public areas or regularly frequented institutions (i.e. nursing homes or daycare centres).

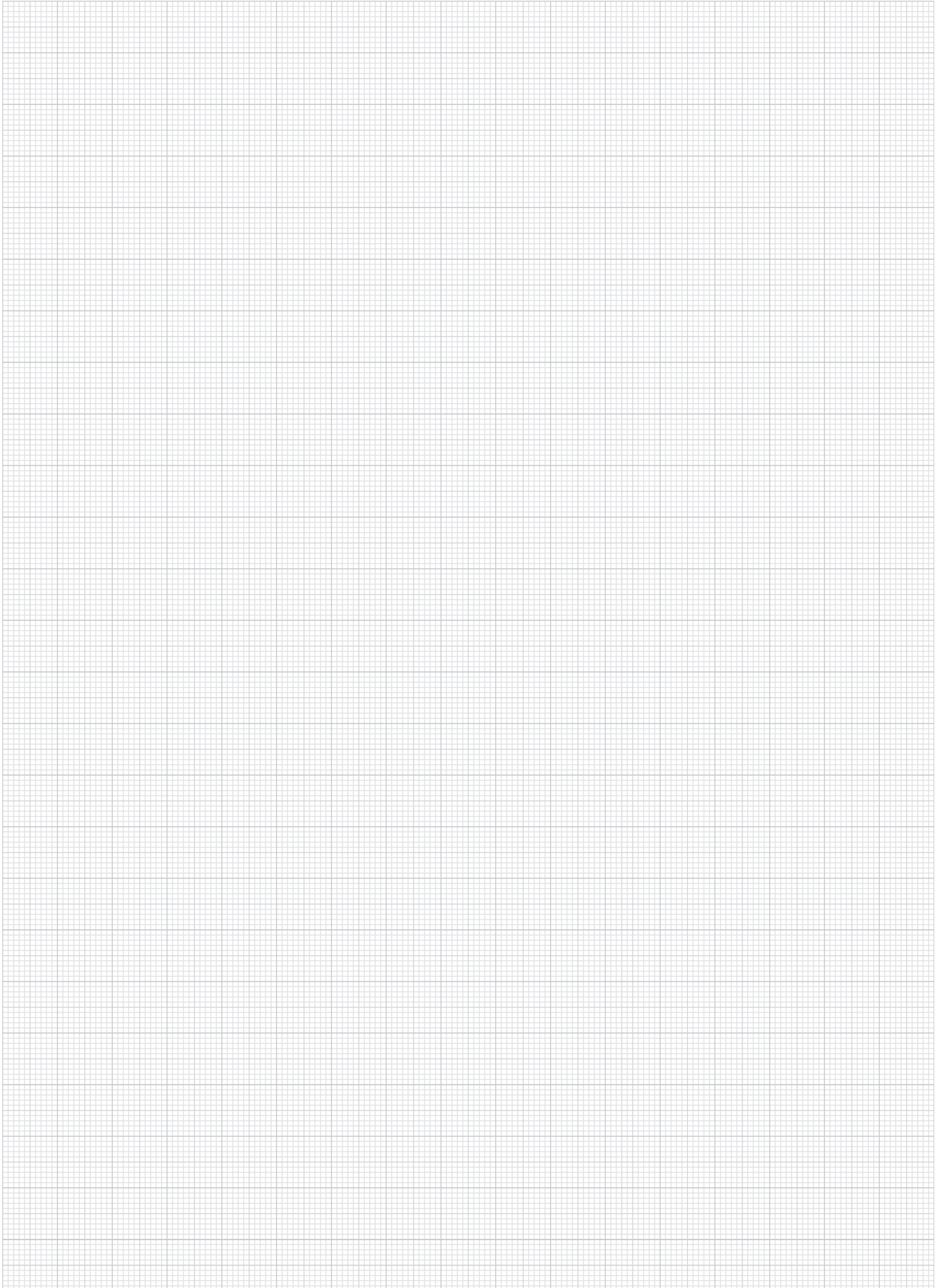


### KIPP Five lobe grips antibacterial, metal parts stainless steel, internal thread

Order No.	Version	D	D1	D2	D3	H	H1	H2	T
K0255.1263101144	bush stainless steel	63	M10	28	35,5	44	22,5	14,5	14

### KIPP Five lobe grips antibacterial, metal parts stainless steel, external thread

Order No.	Version	D	D1	D2	D3	H	H1	H2	L
K0255.1263101144X20	screw stainless steel	63	M10	28	35,5	44	22,5	14,5	20



## Knurled knobs



Form D  
tapped bush  
without cap

Form K  
tapped bush  
with cap

Form E  
reamed bush  
without cap

Form H  
reamed bush  
with cap

Form L  
external thread

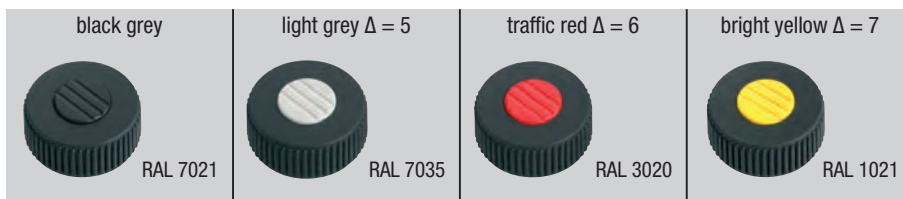
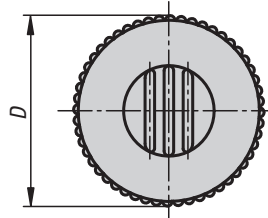
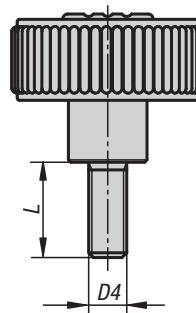
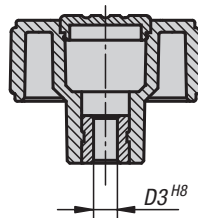
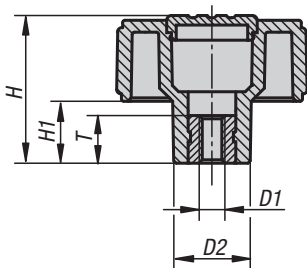
**Novo-Grip knurled knobs are characterized by their wide range of applications and outstanding design. The ergonomically designed knurled wheel guarantees absolutely secure and perfect handling.**

**Material:**  
Thermoplastic, black grey.  
Bush or screw steel 5.8.

**Version:**  
Blue chromed steel.

**Sample order:**  
K0260.41067  
(cap colour bright yellow.)

**Note:**  
Δ Add the desired cap colour here.  
No colour code is required for black grey caps.



### KIPP Knurled knobs with internal thread, Form D

Order No.	Form	Version	Size	D	D1	D2	H	H1	T
K0260.1105	D	bush steel	1	40	M5	16,5	31	13	10
K0260.1106	D	bush steel	1	40	M6	16,5	31	13	10
K0260.1108	D	bush steel	1	40	M8	16,5	31	13	14
K0260.1208	D	bush steel	2	50	M8	18	36	15	14
K0260.1210	D	bush steel	2	50	M10	18	36	15	14
K0260.1310	D	bush steel	3	63	M10	22	41	17	14
K0260.1312	D	bush steel	3	63	M12	22	41	17	18



### KIPP Knurled knobs with internal thread, Form K

Order No.	Form	Version	Size	D	D1	D2	H	H1	T
K0260.2105Δ	K	bush steel	1	40	M5	16,5	31	13	10
K0260.2106Δ	K	bush steel	1	40	M6	16,5	31	13	10
K0260.2108Δ	K	bush steel	1	40	M8	16,5	31	13	14
K0260.2208Δ	K	bush steel	2	50	M8	18	36	15	14
K0260.2210Δ	K	bush steel	2	50	M10	18	36	15	14
K0260.2310Δ	K	bush steel	3	63	M10	22	41	17	14
K0260.2312Δ	K	bush steel	3	63	M12	22	41	17	18

### KIPP Knurled knobs with reamed bush, Form E

Order No.	Form	Version	Size	D	D2	D3	H	H1	T
K0260.3106	E	bush steel	1	40	16,5	6	31	13	10
K0260.3208	E	bush steel	2	50	18	8	36	15	14
K0260.3310	E	bush steel	3	63	22	10	41	17	14

### KIPP Knurled knobs with reamed bush, Form H

Order No.	Form	Version	Size	D	D2	D3	H	H1	T
K0260.4106Δ	H	bush steel	1	40	16,5	6	31	13	10
K0260.4208Δ	H	bush steel	2	50	18	8	36	15	14
K0260.4310Δ	H	bush steel	3	63	22	10	41	17	14

### KIPP Knurled knobs with external thread, Form L

Order No.	Form	Version	Size	D	D2	D4	H	H1	L
K0260.5105ΔX	L	screw steel	1	40	16,5	M5	31	13	10/20/40
K0260.5106ΔX	L	screw steel	1	40	16,5	M6	31	13	10/20/40
K0260.5108ΔX	L	screw steel	1	40	16,5	M8	31	13	15/30/60
K0260.5208ΔX	L	screw steel	2	50	18	M8	36	15	15/30/60
K0260.5210ΔX	L	screw steel	2	50	18	M10	36	15	20/30/60
K0260.5310ΔX	L	screw steel	3	63	22	M10	41	17	20/30/60
K0260.5312ΔX	L	screw steel	3	63	22	M12	41	17	30/60

## Knurled knobs

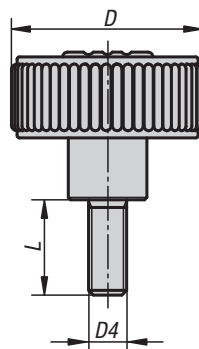
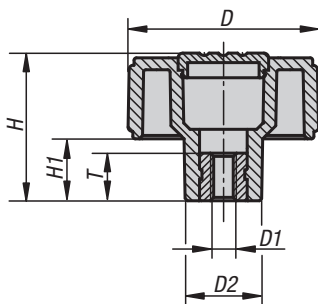
metal parts stainless steel



Form D  
tapped bush  
without cap

Form K  
tapped bush  
with cap

Form L  
external thread



**Novo-Grip knurled knobs are characterized mainly by their wide range of applications and their outstanding design. The ergonomically designed knurled wheel guarantees absolutely secure and perfect handling.**

**Material:**

Thermoplastic, black grey.  
Bush and screw stainless steel 1.4305.

**Version:**

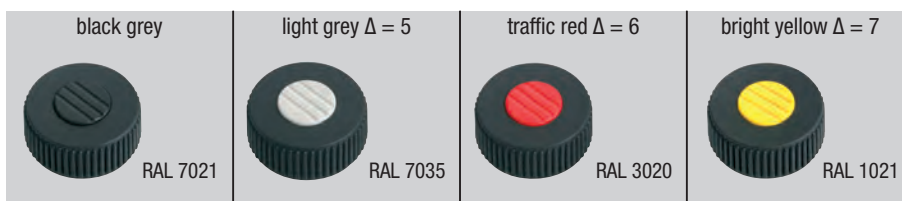
Stainless steel bright.

**Sample order:**

K0261.51056X10  
(cap colour traffic red; include length L.)

**Note:**

Δ Add the desired cap colour here. No colour code is required for black grey caps.



### KIPP Knurled knobs with internal thread, metal parts stainless steel, Form D

Order No.	Form	Version	Size	D	D1	D2	H	H1	T
K0261.1105	D	bush stainless steel	1	40	M5	16,5	31	13	10
K0261.1106	D	bush stainless steel	1	40	M6	16,5	31	13	10
K0261.1108	D	bush stainless steel	1	40	M8	16,5	31	13	14
K0261.1208	D	bush stainless steel	2	50	M8	18	36	15	14
K0261.1210	D	bush stainless steel	2	50	M10	18	36	15	14
K0261.1310	D	bush stainless steel	3	63	M10	22	41	17	14
K0261.1312	D	bush stainless steel	3	63	M12	22	41	17	18

## Knurled knobs

metal parts stainless steel



## KIPP Knurled knobs with internal thread, metal parts stainless steel, Form K

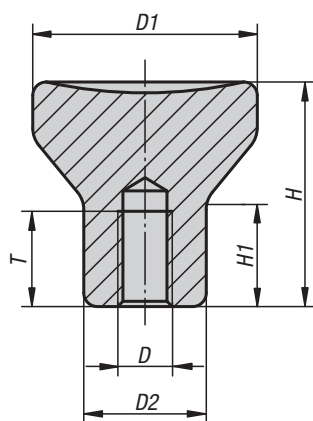
Order No.	Form	Version	Size	D	D1	D2	H	H1	T
K0261.2105Δ	K	bush stainless steel	1	40	M5	16,5	31	13	10
K0261.2106Δ	K	bush stainless steel	1	40	M6	16,5	31	13	10
K0261.2108Δ	K	bush stainless steel	1	40	M8	16,5	31	13	14
K0261.2208Δ	K	bush stainless steel	2	50	M8	18	36	15	14
K0261.2210Δ	K	bush stainless steel	2	50	M10	18	36	15	14
K0261.2310Δ	K	bush stainless steel	3	63	M10	22	41	17	14
K0261.2312Δ	K	bush stainless steel	3	63	M12	22	41	17	18

## KIPP Knurled knobs with external thread, metal parts stainless steel, Form L

Order No.	Form	Version	Size	D	D2	D4	H	H1	L
K0261.5105ΔX	L	screw stainless steel	1	40	16,5	M5	31	13	10/20
K0261.5106ΔX	L	screw stainless steel	1	40	16,5	M6	31	13	10/20/40
K0261.5108ΔX	L	screw stainless steel	1	40	16,5	M8	31	13	15/30/60
K0261.5208ΔX	L	screw stainless steel	2	50	18	M8	36	15	15/30/60
K0261.5210ΔX	L	screw stainless steel	2	50	18	M10	36	15	20/30/60
K0261.5310ΔX	L	screw stainless steel	3	63	22	M10	41	17	20/30/60

## Mushroom knobs

internal thread

**Material:**

Steel, stainless steel and aluminium.

**Version:**Steel galvanised and blue chromed.  
Stainless steel, electropolished or blasted.  
Aluminium natural tone anodized.**Sample order:**

K0250.104

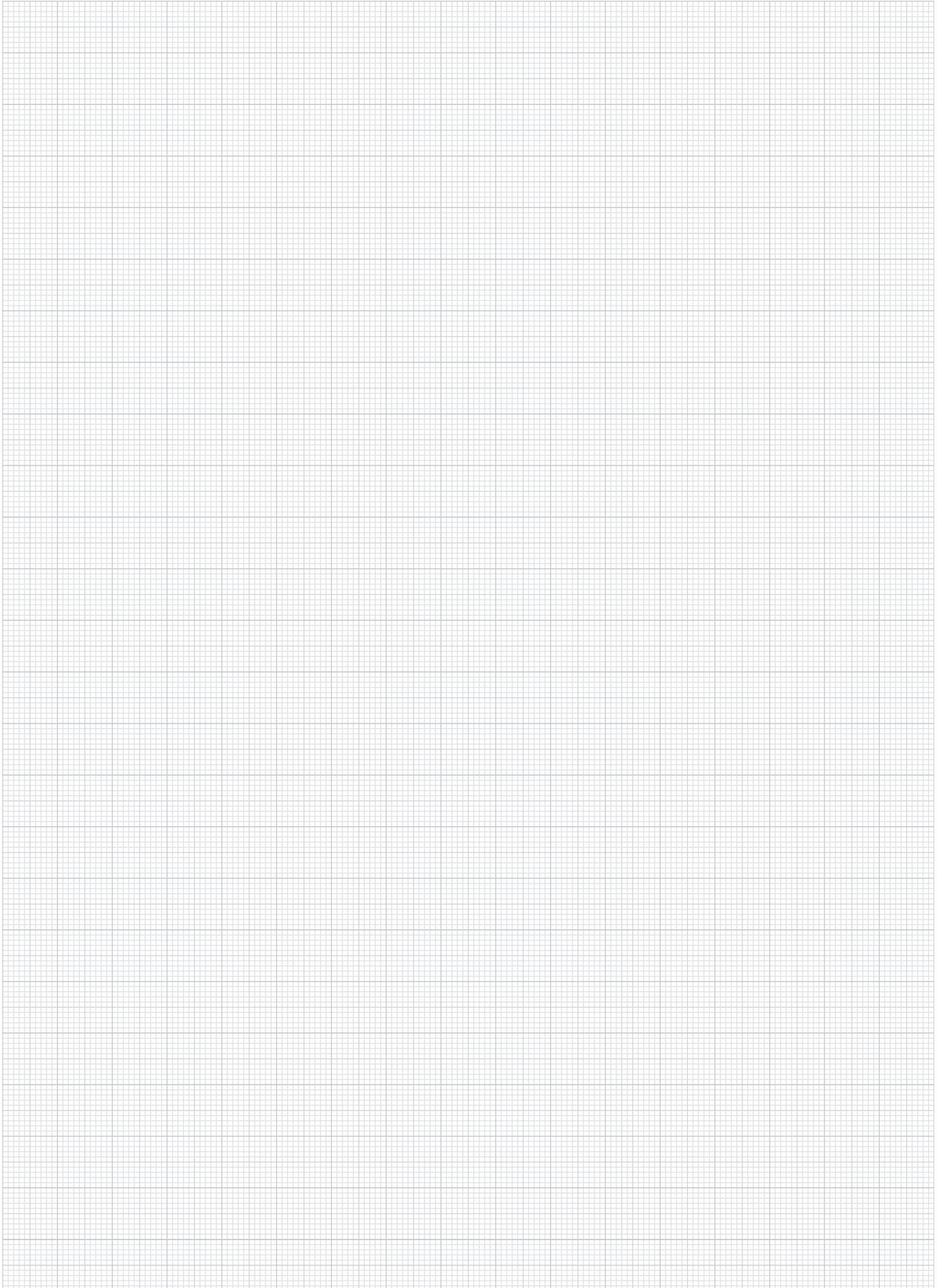
**On request:**

With external threads.

## KIPP Mushroom knobs with internal thread

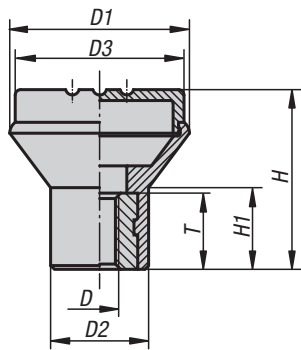
Order No.	Material	Version	D	D1	D2	H	H1	T
K0250.0902	steel	galvanized and blue chromed	M2	14	8	14	6,7	4
K0250.0003	steel	galvanized and blue chromed	M3	18	10	18	8,6	7,5
K0250.0104	steel	galvanized and blue chromed	M4	21	12	21	10	10
K0250.0105	steel	galvanized and blue chromed	M5	21	12	21	10	12,5
K0250.0206	steel	galvanized and blue chromed	M6	25	14	25	12	12
K0250.0308	steel	galvanized and blue chromed	M8	33	18	33	16	16
K0250.0410	steel	galvanized and blue chromed	M10	40	24	40	18,7	20
K0250.902	stainless steel	electropolished	M2	14	8	14	6,7	4
K0250.003	stainless steel	electropolished	M3	18	10	18	8,6	7,5
K0250.104	stainless steel	electropolished	M4	21	12	21	10	10
K0250.105	stainless steel	electropolished	M5	21	12	21	10	12,5
K0250.206	stainless steel	electropolished	M6	25	14	25	12	12
K0250.308	stainless steel	electropolished	M8	33	18	33	16	16
K0250.410	stainless steel	electropolished	M10	40	24	40	18,7	20
K0250.1902	Aluminium	natural colour anodized	M2	14	8	14	6,7	4
K0250.1003	Aluminium	natural colour anodized	M3	18	10	18	8,6	7,5
K0250.1104	Aluminium	natural colour anodized	M4	21	12	21	10	10
K0250.1105	Aluminium	natural colour anodized	M5	21	12	21	10	12,5
K0250.1206	Aluminium	natural colour anodized	M6	25	14	25	12	12
K0250.1308	Aluminium	natural colour anodized	M8	33	18	33	16	16
K0250.1410	Aluminium	natural colour anodized	M10	40	24	40	18,7	20
K0250.2902	stainless steel	blasted	M2	14	8	14	6,7	4
K0250.2003	stainless steel	blasted	M3	18	10	18	8,6	7,5
K0250.2104	stainless steel	blasted	M4	21	12	21	10	10
K0250.2105	stainless steel	blasted	M5	21	12	21	10	12,5
K0250.2206	stainless steel	blasted	M6	25	14	25	12	12
K0250.2308	stainless steel	blasted	M8	33	18	33	16	16
K0250.2410	stainless steel	blasted	M10	40	24	40	18,7	20





## Mushroom knobs

internal thread



**Novo-Grip mushroom knobs provide a special form of gripping: absolutely secure, quick and easy. This new form of gripping represented by the Novo-Grip mushroom knob is unique. Find out for yourself!**

**Material:**  
Thermoplastic, black grey.  
Bush steel 5.8 or stainless steel 1.4305.

**Version:**  
Blue-chromed steel or bright stainless steel.

**Sample order:**  
K0251.046 (cap colour traffic red.)

**Note:**  
Δ Add the desired cap colour here. No colour code is required for black grey caps.

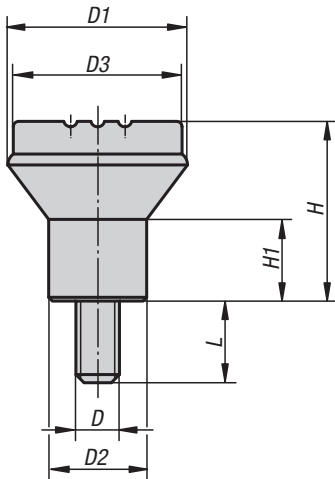


### KIPP Mushroom knobs with internal thread

Order No. bush steel	Order No. bush stainless steel	Size	D	D1	D2	D3	H	H1	T
K0251.04Δ	K0251.004Δ	1	M4	21	12	19	21	10	10
K0251.05Δ	K0251.005Δ	1	M5	21	12	19	21	10	10
K0251.06Δ	K0251.006Δ	2	M6	25	14	23	25	12	10
K0251.08Δ	K0251.008Δ	3	M8	33	19	31	33	15	14

## Mushroom knobs

external thread



**Novo-Grip mushroom knobs provide a special form of gripping: absolutely secure, quick and easy. This new form of gripping represented by the Novo-Grip mushroom knob is unique. Find out for yourself!**

**Material:**

Thermoplastic, black grey.  
Screw steel 5.8 or stainless steel 1.4305.

**Version:**

Steel blue-chromed or stainless steel bright.

**Sample order:**

K0251.046X10 (cap colour traffic red; include length L)

**Note:**

Δ Add the desired cap colour here. No colour code is required for black grey caps.



### KIPP Mushroom knobs with external thread

Order No. screw steel	Order No. screw stainless steel	Size	D	D1	D2	D3	H	H1	L
K0251.04ΔX10	K0251.004ΔX10	1	M4	21	12	19	21	10	10
K0251.05ΔX10	K0251.005ΔX10	1	M5	21	12	19	21	10	10
K0251.06ΔX15	K0251.006ΔX15	2	M6	25	14	23	25	12	15
K0251.08ΔX15	K0251.008ΔX15	3	M8	33	19	31	33	15	15

## Mushroom knobs biopolymer

internal thread



**Material:**

Biopolymer, beech.  
Bush steel 5.8

**Version:**

Bush galvanized and blue chromed.  
Natural beech with beech fibres or coloured black grey.

**Sample order:**

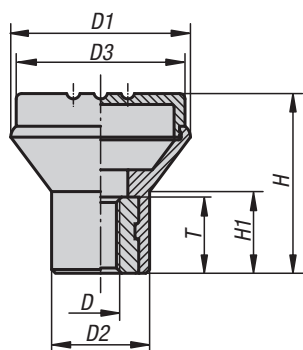
K0251.1005143

**Advantages:**

This biopolymer is manufactured entirely from renewable raw materials (oil free).  
Conservation of finite fossil resources.  
The wood fibres originate 100% from local forests in Germany.  
PEFC certified (guarantees that wood products originate from sustainably managed forests).

**Characteristics:**

Excellent mechanical stability (certified with a minimum of 2x safety factor).  
Biopolymer is suitable for recycling (comparable to thermoplastics).  
Suitable for outdoor use (not biodegradable).  
Excellent resistance to strong acids and lyes.  
Short-term resistance to alcohol, fuel, mineral oil and grease.

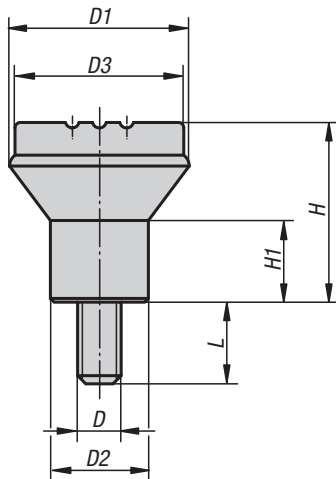


### KIPP Mushroom knobs biopolymer with internal thread

Order No.	Colour	Size	D	D1	D2	D3	H	H1	T
K0251.1005143	natural beech	1	M5	21	12	19	21	10	10
K0251.1006143	natural beech	2	M6	25	14	23	25	12	10
K0251.1008143	natural beech	3	M8	33	19	33	33	15	14
K0251.100590	black grey	1	M5	21	12	19	21	10	10
K0251.100690	black grey	2	M6	25	14	23	25	12	10
K0251.100890	black grey	3	M8	33	19	33	33	15	14

# Mushroom knobs biopolymer

external thread



#### Material:

Biopolymer, beech.  
Threaded pin steel 5.8.

#### Version:

Threaded pin galvanized and blue chromed.  
Natural beech with beech fibres or coloured black grey.

#### Sample order:

K0251.100590X10

#### Advantages:

This biopolymer is manufactured entirely from renewable raw materials (oil free).  
Conservation of finite fossil resources.  
The wood fibres originate 100% from local forests in Germany.  
PEFC certified (guarantees that wood products originate from sustainably managed forests).

#### Characteristics:

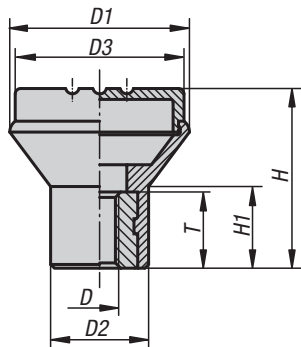
Excellent mechanical stability (certified with a minimum of 2x safety factor).  
Biopolymer is suitable for recycling (comparable to thermoplastics).  
Suitable for outdoor use (not biodegradable).  
Excellent resistance to strong acids and lyes.  
Short-term resistance to alcohol, fuel, mineral oil and grease.

## KIPP Mushroom knobs biopolymer with external thread

Order No.	Colour	Size	D	D1	D2	D3	H	H1	L
K0251.1005143X10	natural beech	1	M5	21	12	19	21	10	10
K0251.1006143X15	natural beech	2	M6	25	14	23	25	12	15
K0251.1008143X15	natural beech	3	M8	33	19	33	33	15	15
K0251.100590X10	black grey	1	M5	21	12	19	21	10	10
K0251.100690X15	black grey	2	M6	25	14	23	25	12	15
K0251.100890X15	black grey	3	M8	33	19	33	33	15	15

## Mushroom knobs antibacterial

internal thread, metal parts stainless steel



**Material:**

Thermoplastic, slate grey.  
Bush stainless steel 1.4305.

**Version:**

Stainless steel bright.

**Sample order:**

K0251.12005144

**Application:**

The antibacterial KIPP MEDI grip products are highly effective against a variety of hazardous microorganisms, such as bacteria, fungi, viruses and even multi-resistant bacteria (e.g. MRSA). The plastic used incorporates micro-silver particles with an antimicrobial effect to ensure effective results throughout the entire product life cycle.

**Function:**

Silver ions are effective in preventing harmful microorganisms from forming on the product surface, promoting a constant reduction of the existing germs on the MEDI grip products (as tested and confirmed by an accredited testing laboratory). During cleaning cycles the risk of infection while touching these products is significantly lower.

**Advantages:**

Resistant to humidity and cleaning products (during disinfection) with no toxic side effects.

**Applications:**

For installation on machines, equipment, plants and furnishings in areas with increased hygienic requirements (including hospitals, doctors' surgeries, rehabilitation centres and food production facilities), as well as for use in public areas or regularly frequented institutions (i.e. nursing homes or daycare centres).

**KIPP Mushroom knobs antibacterial internal thread, metal parts stainless steel**

Order No.	Version	Size	D	D1	D2	D3	H	H1	T
K0251.12005144	bush stainless steel	1	M5	21	12	19	21	10	10

# Mushroom knobs antibacterial

external thread, metal parts stainless steel



**Material:**

Thermoplastic, slate grey.  
Threaded pin stainless steel 1.4305.

**Version:**

Stainless steel bright.

**Sample order:**

K0251.12005144X10

**Application:**

The antibacterial KIPP MEDI grip products are highly effective against a variety of hazardous microorganisms, such as bacteria, fungi, viruses and even multi-resistant bacteria (e.g. MRSA). The plastic used incorporates micro-silver particles with an antimicrobial effect to ensure effective results throughout the entire product life cycle.

**Function:**

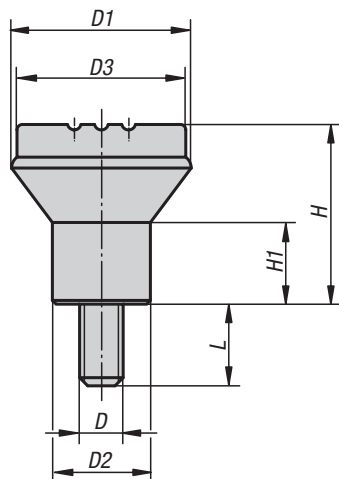
Silver ions are effective in preventing harmful microorganisms from forming on the product surface, promoting a constant reduction of the existing germs on the MEDI grip products (as tested and confirmed by an accredited testing laboratory). During cleaning cycles the risk of infection while touching these products is significantly lower.

**Advantages:**

Resistant to humidity and cleaning products (during disinfection) with no toxic side effects.

**Applications:**

For installation on machines, equipment, plants and furnishings in areas with increased hygienic requirements (including hospitals, doctors' surgeries, rehabilitation centres and food production facilities), as well as for use in public areas or regularly frequented institutions (i.e. nursing homes or daycare centres).

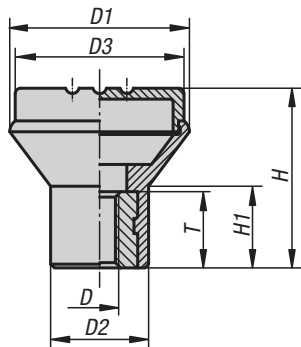


## KIPP Mushroom knobs antibacterial, external thread, metal parts stainless steel

Order No.	Version	Size	D	D1	D2	D3	H	H1	L
K0251.12005144X10	screw stainless steel	1	M5	21	12	19	21	10	10

# Mushroom knobs antistatic

internal thread



### Material:

Thermoplastic, graphite black.  
Bush steel 5.8.

### Version:

Bush, blue chromed.

### Sample order:

K0251.110524

### Application:

Sensitive electrical or electronic equipment, components and devices (ESD sensitive elements) may be damaged or destroyed by electrostatic discharges (ESD) in the immediate vicinity.

Electrostatic discharges can come from people or through handling ESD sensitive components (e.g. during production, assembly, transport, storage etc). Electrically conductive products which conform to DIN EN 61340-5-1 are essential within electronic environments to prevent an electrostatic discharge. These products can be used for ESD applications or in ESD protection areas (EPA) in accordance with DIN EN 61340-5-1.

The yellow ESD logo is printed on the side of the product to clearly identify it.

### Safety:

These ESD products can also be used for devices, components and protection systems in areas with high risk of explosion.

Use of these ESD products prevents the occurrence of electrostatic spark discharges, eliminating the potential ignition of gases and dusts which could lead to explosions in enclosed spaces.

Manufacturers and operators must use and conform to ATEX directives for the protection of persons working in areas with high risk of explosion.

These ESD products are certified by TÜV-Süd in relation to their electrical discharge capability.

### Target groups:

Device manufacturers required to conform to ATEX product directive 2014/34/EU.

Operators required to conform to ATEX worker protection directive 1999/92/EC.

## KIPP Mushroom knobs antistatic internal thread

Order No.	Colour	Size	D	D1	D2	D3	H	H1	T
K0251.110524	graphite black	1	M5	21	12	19	21	10	10



# Mushroom knobs antistatic

external thread



#### Material:

Thermoplastic, graphite black.  
Threaded pin steel 5.8.

#### Version:

Threaded pin, blue chromed.

#### Sample order:

K0251.110524X10

#### Application:

Sensitive electrical or electronic equipment, components and devices (ESD sensitive elements) may be damaged or destroyed by electrostatic discharges (ESD) in the immediate vicinity.

Electrostatic discharges can come from people or through handling ESD sensitive components (e.g. during production, assembly, transport, storage etc). Electrically conductive products which conform to DIN EN 61340-5-1 are essential within electronic environments to prevent an electrostatic discharge. These products can be used for ESD applications or in ESD protection areas (EPA) in accordance with DIN EN 61340-5-1.

The yellow ESD logo is printed on the side of the product to clearly identify it.

#### Safety:

These ESD products can also be used for devices, components and protection systems in areas with high risk of explosion.

Use of these ESD products prevents the occurrence of electrostatic spark discharges, eliminating the potential ignition of gases and dusts which could lead to explosions in enclosed spaces.

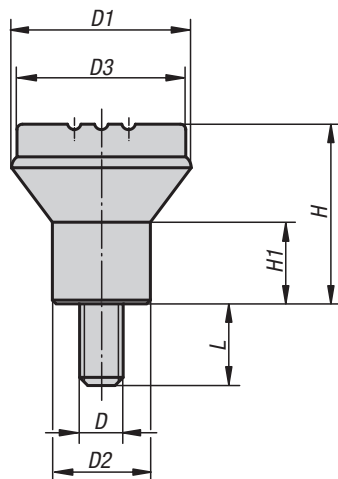
Manufacturers and operators must use and conform to ATEX directives for the protection of persons working in areas with high risk of explosion.

These ESD products are certified by TÜV-Süd in relation to their electrical discharge capability.

#### Target groups:

Device manufacturers required to conform to ATEX product directive 2014/34/EU.

Operators required to conform to ATEX worker protection directive 1999/92/EC.



## KIPP Mushroom knobs antistatic external thread

Order No.	Colour	Size	D	D1	D2	D3	H	H1	L
K0251.110524X10	graphite black	1	M5	21	12	19	21	10	10

## Wing grips

internal thread, stainless steel

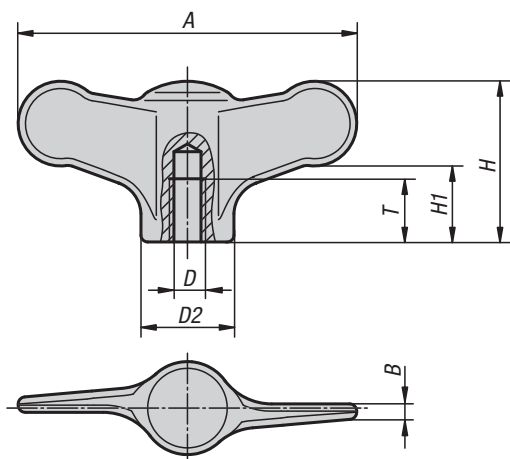


**Material:**  
Stainless steel 1.4308.

**Version:**  
Blasted or ground and polished.

**Sample order:**  
K0273.105

**On request:**  
With external threads.



### KIPP Wing grips with internal thread, stainless steel

Order No.	Version	D	D2	A	B	H	H1	T
K0273.904	ground and polished	M4	10,5	38	1,7	18	8,5	9
K0273.905	ground and polished	M5	10,5	38	1,7	18	8,5	9
K0273.906	ground and polished	M6	10,5	38	1,7	18	8,5	9
K0273.105	ground and polished	M5	14	50	2,3	24	11,5	12
K0273.106	ground and polished	M6	14	50	2,3	24	11,5	12
K0273.208	ground and polished	M8	21	75	3,4	35	16,5	15
K0273.210	ground and polished	M10	21	75	3,4	35	16,5	15
K0273.9041	blasted	M4	10,5	38	1,7	18	8,5	9
K0273.9051	blasted	M5	10,5	38	1,7	18	8,5	9
K0273.9061	blasted	M6	10,5	38	1,7	18	8,5	9
K0273.1051	blasted	M5	14	50	2,3	24	11,5	12
K0273.1061	blasted	M6	14	50	2,3	24	11,5	12
K0273.2081	blasted	M8	21	75	3,4	35	16,5	15
K0273.2101	blasted	M10	21	75	3,4	35	16,5	15

## Wing grips



For many people the modern Novo-Grip wing grips represent the perfect constructive and technical solution for absolutely "natural" gripping. It enables more comfortable handling than ever before.

**Material:**

Grip black grey thermoplastic.  
Bush and screw steel 5.8 or stainless steel 1.4305.

**Version:**

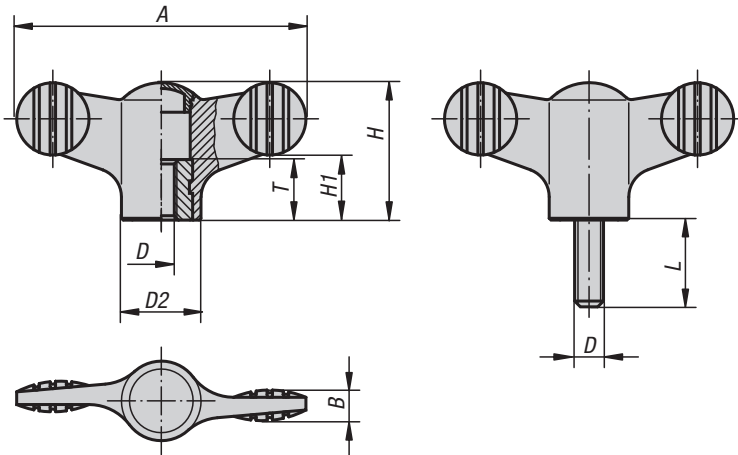
Bush or screw blue chromed or bright stainless steel.

**Sample order:**

K0274.1057X20 (cap colour bright yellow; include length L)

**Note:**

Δ Add the desired cap colour here. No colour code is required for black grey caps.



### KIPP Wing grips with internal thread

Order No. bush steel	Order No. bush stainless steel	D	D2	A	B	H	H1	T
K0274.904Δ	K0274.0904Δ	M4	12	38	4,5	18	8,5	10
K0274.905Δ	K0274.0905Δ	M5	12	38	4,5	18	8,5	10
K0274.906Δ	K0274.0906Δ	M6	12	38	4,5	18	8,5	10
K0274.105Δ	K0274.0105Δ	M5	14	50	5	24	11,5	10
K0274.106Δ	K0274.0106Δ	M6	14	50	5	24	11,5	10
K0274.208Δ	K0274.0208Δ	M8	21	75	7	35,6	16,5	14
K0274.210Δ	K0274.0210Δ	M10	21	75	7	35,6	16,5	14

### KIPP Wing grips with external thread

Order No. screw steel	Order No. screw stainless steel	D	A	B	D2	H	H1	L
K0274.904ΔX	K0274.0904ΔX	M4	38	4,5	12	18	8,5	10/15
K0274.905ΔX	K0274.0905ΔX	M5	38	4,5	12	18	8,5	15/20/30
K0274.906ΔX	K0274.0906ΔX	M6	38	4,5	12	18	8,5	20/30/40
K0274.105ΔX	K0274.0105ΔX	M5	50	5	14	24	11,5	15/20
K0274.106ΔX	K0274.0106ΔX	M6	50	5	14	24	11,5	20/30/40
K0274.108ΔX	K0274.0108ΔX	M8	50	5	14	24	11,5	20/30/40
K0274.208ΔX	K0274.0208ΔX	M8	75	7	21	35,6	16,5	20/30/40
K0274.210ΔX	K0274.0210ΔX	M10	75	7	21	35,6	16,5	20/30/40/50

# Wing grips antibacterial

metal parts stainless steel



**Material:**

Thermoplastic, slate grey.  
Bush or threaded pin stainless steel 1.4305.

**Version:**

Bush and screw bright.

**Sample order:**

K0274.120106144X20

**Application:**

The antibacterial KIPP MEDI grip products are highly effective against a variety of hazardous microorganisms, such as bacteria, fungi, viruses and even multi-resistant bacteria (e.g. MRSA). The plastic used incorporates micro-silver particles with an antimicrobial effect to ensure effective results throughout the entire product life cycle.

**Function:**

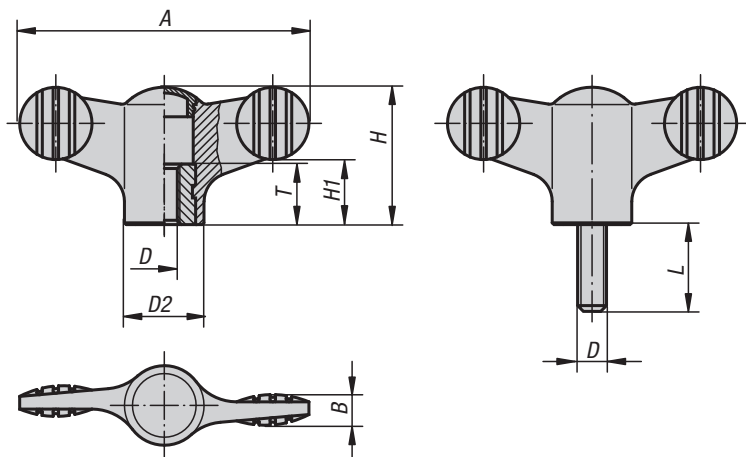
Silver ions are effective in preventing harmful microorganisms from forming on the product surface, promoting a constant reduction of the existing germs on the MEDI grip products (as tested and confirmed by an accredited testing laboratory). During cleaning cycles the risk of infection while touching these products is significantly lower.

**Advantages:**

Resistant to humidity and cleaning products (during disinfection) with no toxic side effects.

**Applications:**

For installation on machines, equipment, plants and furnishings in areas with increased hygienic requirements (including hospitals, doctors' surgeries, rehabilitation centres and food production facilities), as well as for use in public areas or regularly frequented institutions (i.e. nursing homes or daycare centres).



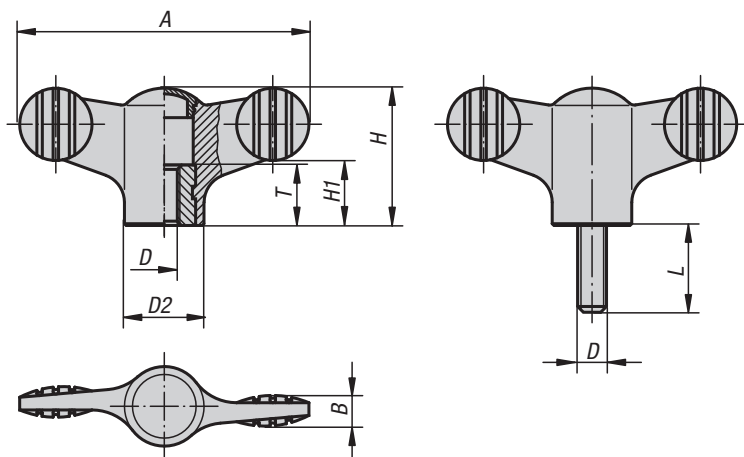
## KIPP Wing grips antibacterial internal thread, metal parts stainless steel

Order No.	Version	Size	D	A	B	D2	H	H1	T
K0274.120106144	bush stainless steel	1	M6	50	5	14	24	11,5	10

## KIPP Wing grips antibacterial external thread, metal parts stainless steel

Order No.	Version	Size	D	A	B	D2	H	H1	L
K0274.120106144X20	screw stainless steel	1	M6	50	5	14	24	11,5	20

## Wing grips antistatic



**Material:**

Thermoplastic, graphite black.  
Bush or screw steel 5.8.

**Version:**

Bush or screw blue chromed.

**Sample order:**

K0274.1110624X20

**Application:**

Sensitive electrical or electronic equipment, components and devices (ESD sensitive elements) may be damaged or destroyed by electrostatic discharges (ESD) in the immediate vicinity.

Electrostatic discharges can come from people or through handling ESD sensitive components (e.g. during production, assembly, transport, storage etc).

Electrically conductive products which conform to DIN EN 61340-5-1 are essential within electronic environments to prevent an electrostatic discharge.

These products can be used for ESD applications or in ESD protection areas (EPA) in accordance with DIN EN 61340-5-1. The yellow ESD logo is printed on the side of the product to clearly identify it.

**Safety:**

These ESD products can also be used for devices, components and protection systems in areas with high risk of explosion.

Use of these ESD products prevents the occurrence of electrostatic spark discharges, eliminating the potential ignition of gases and dusts which could lead to explosions in enclosed spaces.

Manufacturers and operators must use and conform to ATEX directives for the protection of persons working in areas with high risk of explosion.

These ESD products are certified by TÜV-Süd in relation to their electrical discharge capability.

**Target groups:**

Device manufacturers required to conform to ATEX product directive 2014/34/EU.

Operators required to conform to ATEX worker protection directive 1999/92/EC.

### KIPP Wing grips antistatic with internal thread

Order No.	Colour	Version	Size	A	B	D	D2	H	H1	T
K0274.1110624	graphite black	bush steel	1	50	5	M6	14	24	11,5	10

### KIPP Wing grips antistatic with external thread

Order No.	Colour	Version	Size	A	B	D	D2	H	H1	L
K0274.1110624X20	graphite black	screw steel	1	50	5	M6	14	24	11,5	20

## Wing grips

tapped through



For many the modern Novo-Grip wing grips represent the perfect constructive and technical solution for absolutely "natural" gripping. It enables more comfortable handling than ever before.

**Material:**

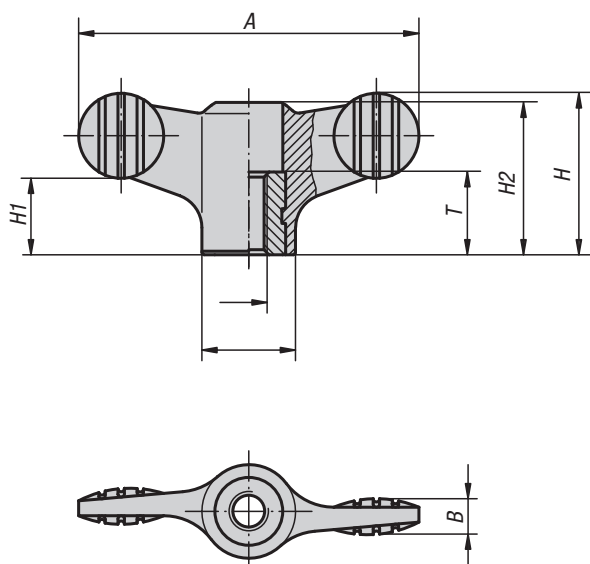
Grip black.  
Bush steel 5.8 or stainless steel 1.4305.

**Version:**

Grip black grey.  
Bush blue chromed steel  
or bright stainless steel.

**Sample order:**

K0274.1904



### KIPP Wing grips with tapped through bush

Order No.	Version	D	D2	A	B	H	H1	H2	T
K0274.1904	bush steel	M4	12	38	4,5	18	8,5	16,1	10
K0274.1905	bush steel	M5	12	38	4,5	18	8,5	16,1	10
K0274.1906	bush steel	M6	12	38	4,5	18	8,5	16,1	10
K0274.1105	bush steel	M5	14	50	5	24	11,5	22	10
K0274.1106	bush steel	M6	14	50	5	24	11,5	22	10
K0274.1208	bush steel	M8	21	75	7	35,6	17	33,3	14
K0274.1210	bush steel	M10	21	75	7	35,6	17	33,3	14
K0274.10904	bush stainless steel	M4	12	38	4,5	18	8,5	16,1	10
K0274.10905	bush stainless steel	M5	12	38	4,5	18	8,5	16,1	10
K0274.10906	bush stainless steel	M6	12	38	4,5	18	8,5	16,1	10
K0274.10105	bush stainless steel	M5	14	50	5	24	11,5	22	10
K0274.10106	bush stainless steel	M6	14	50	5	24	11,5	22	10
K0274.10208	bush stainless steel	M8	21	75	7	35,6	17	33,3	14
K0274.10210	bush stainless steel	M10	21	75	7	35,6	17	33,3	14

## Wing grips



**Material:**

Grip polyamide, glass bead reinforced.  
 Bush brass or steel.  
 Screw steel.

**Version:**

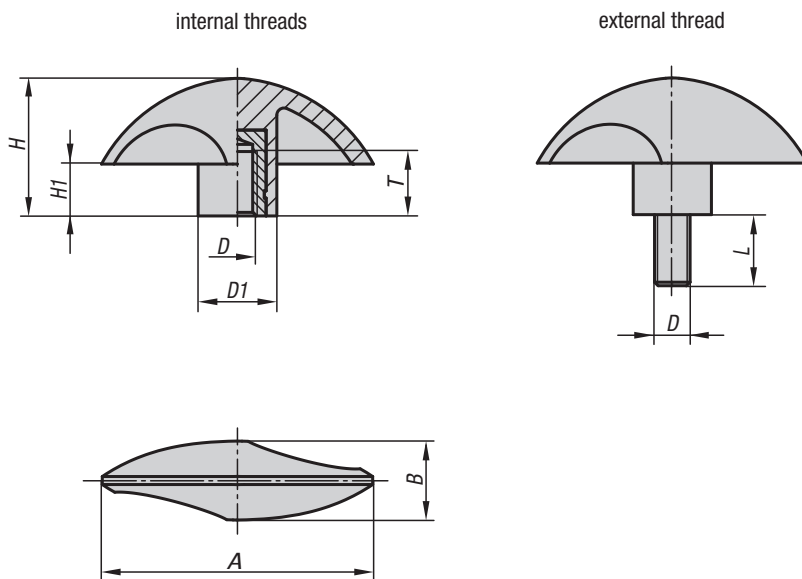
Steel galvanized.

**Sample order:**

K0783.15006

**Note:**

Temperature resistance from -50 °C to 130 °C.  
 Resistant to common chemicals and oils.



### KIPP Wing grips with internal thread

Order No.	Version	D	D1	A	B	H	H1	T
K0783.15006	bush brass	M6	15	51	15	25,5	9,5	9
K0783.16008	bush galvanized steel	M8	18	61,5	18	31	11,5	14
K0783.17510	bush galvanized steel	M10	22	76	22	38,5	14,5	14

### KIPP Wing grips with external thread

Order No.	Version	D	D1	A	B	H	H1	L
K0783.25006X15	screw galvanized steel	M6	15	51	15	25,5	9,5	15
K0783.26008X20	screw galvanized steel	M8	18	61,5	18	31	11,5	20
K0783.27510X20	screw galvanized steel	M10	22	76	22	38,5	14,5	20

## Wing grips one-sided

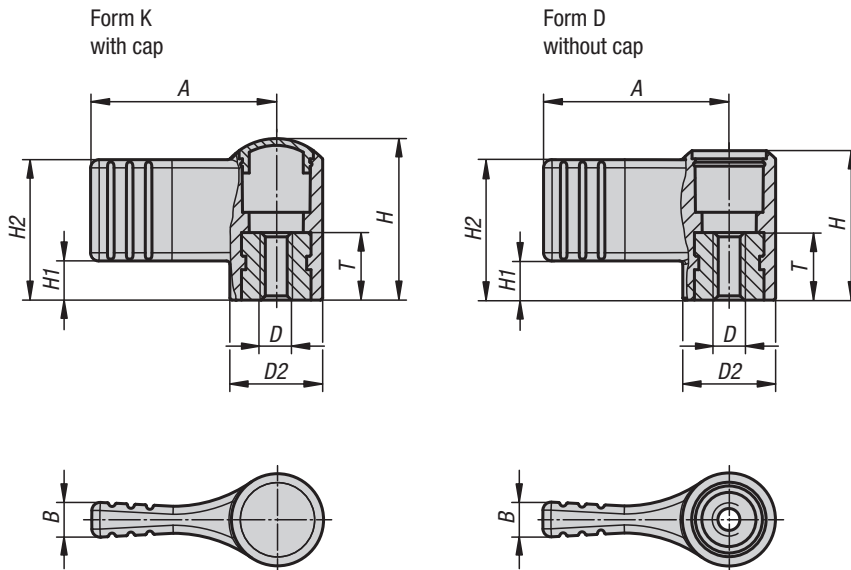


**Material:**  
Thermoplastic.  
Bush steel 5.8 or stainless steel 1.4305.

**Version:**  
Black grey.  
Bush blue chromed or bright stainless steel.

**Sample order:**  
K0608.09046 (Bush M4 stainless steel, cap traffic red.)

**Note:**  
Δ Add the desired cap colour here. No colour code is required for black grey caps.



### KIPP Wing grips, one-sided with cap

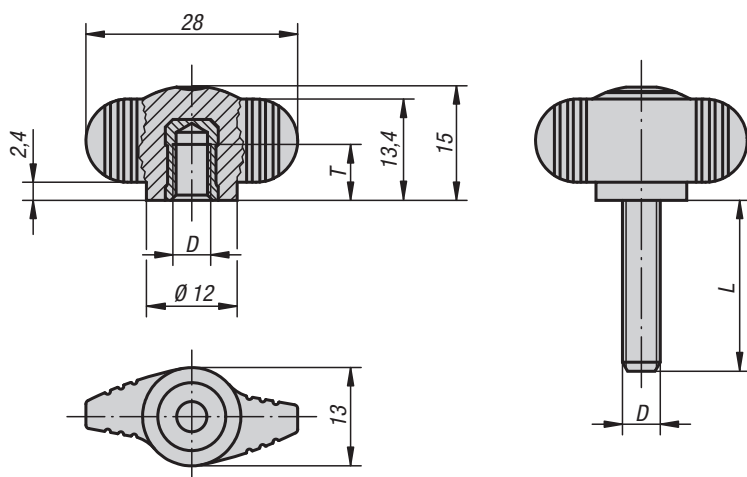
Order No. bush steel	Order No. bush stainless steel	Form	Size	D	D2	A	B	H	H1	H2	T
K0608.904Δ	K0608.0904Δ	K	9	M4	12	22	4,4	18	4,5	15,5	10
K0608.905Δ	K0608.0905Δ	K	9	M5	12	22	4,4	18	4,5	15,5	10
K0608.906Δ	K0608.0906Δ	K	9	M6	12	22	4,4	18	4,5	15,5	10
K0608.105Δ	K0608.0105Δ	K	1	M5	14	27,5	5,1	24	5,8	20,8	10
K0608.106Δ	K0608.0106Δ	K	1	M6	14	27,5	5,1	24	5,8	20,8	10
K0608.208Δ	K0608.0208Δ	K	2	M8	21	37,5	6,3	36	8,5	30,5	14
K0608.210Δ	K0608.0210Δ	K	2	M10	21	37,5	6,3	36	8,5	30,5	14

### KIPP Wing grips, one-sided without cap

Order No. bush steel	Order No. bush stainless steel	Form	Size	D	D2	A	B	H	H1	H2	T
K0608.1904	K0608.10904	D	9	M4	12	22	4,4	16,1	4,5	15,5	10
K0608.1905	K0608.10905	D	9	M5	12	22	4,4	16,1	4,5	15,5	10
K0608.1906	K0608.10906	D	9	M6	12	22	4,4	16,1	4,5	15,5	10
K0608.1105	K0608.10105	D	1	M5	14	27,5	5,1	22,1	5,8	20,8	10
K0608.1106	K0608.10106	D	1	M6	14	27,5	5,1	22,1	5,8	20,8	10
K0608.1208	K0608.10208	D	2	M8	21	37,5	6,3	33,3	8,5	30,5	14
K0608.1210	K0608.10210	D	2	M10	21	37,5	6,3	33,3	8,5	30,5	14



## Wing grips "Miniwing"



Technical freedom played an important role during the development of these small sized wing grips. The result is a miniwing that is far more than a means to an end. It is a rational and comfortable to use operating and working element.

**Material:**

Grip black grey thermoplastic.  
Bush brass or stainless steel 1.4305.  
Screw steel 5.8 or stainless steel 1.4305.

**Version:**

Steel blue chromed.  
Stainless steel bright.

**Sample order:**

K0274.005X10 (include length L)

## KIPP Wing grips "Miniwing" with internal thread

Order No.	Version	D	T
K0274.004	bush brass	M4	6
K0274.005	bush brass	M5	7,5
K0274.006	bush brass	M6	9
K0274.0004	bush stainless steel	M4	6
K0274.0005	bush stainless steel	M5	7,5
K0274.0006	bush stainless steel	M6	9

## KIPP Wing grips "Miniwing" with external thread

Order No.	Version	D	L
K0274.004X	screw steel	M4	8
K0274.005X	screw steel	M5	10/15/20
K0274.006X	screw steel	M6	10/15/20/25/30
K0274.008X	screw steel	M8	20/25/30/40
K0274.0004X	screw stainless steel	M4	8
K0274.0005X	screw stainless steel	M5	10/15/20
K0274.0006X	screw stainless steel	M6	10/15/20/25/30
K0274.0008X	screw stainless steel	M8	20/25/30/40

# Wing grips "Miniwing" antibacterial

metal parts stainless steel



**Material:**

Thermoplastic, slate grey.

Bush or threaded pin stainless steel 1.4305.

**Version:**

Bush and screw bright.

**Sample order:**

K0274.120006144

**Application:**

The antibacterial KIPP MEDI grip products are highly effective against a variety of hazardous microorganisms, such as bacteria, fungi, viruses and even multi-resistant bacteria (e.g. MRSA). The plastic used incorporates micro-silver particles with an antimicrobial effect to ensure effective results throughout the entire product life cycle.

**Function:**

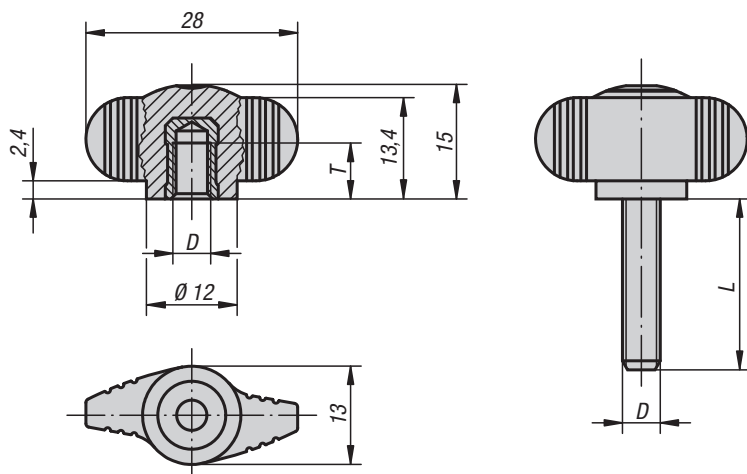
Silver ions are effective in preventing harmful microorganisms from forming on the product surface, promoting a constant reduction of the existing germs on the MEDI grip products (as tested and confirmed by an accredited testing laboratory). During cleaning cycles the risk of infection while touching these products is significantly lower.

**Advantages:**

Resistant to humidity and cleaning products (during disinfection) with no toxic side effects.

**Applications:**

For installation on machines, equipment, plants and furnishings in areas with increased hygienic requirements (including hospitals, doctors' surgeries, rehabilitation centres and food production facilities), as well as for use in public areas or regularly frequented institutions (i.e. nursing homes or daycare centres).



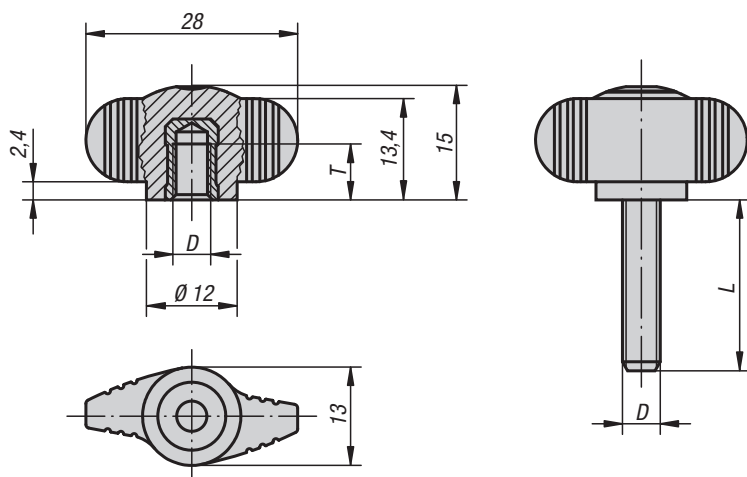
## KIPP Wing grips "Miniwing" antibacterial internal thread, metal parts stainless steel

Order No.	Version	D	T
K0274.120006144	bush stainless steel	M6	9

## KIPP Wing grips "Miniwing" antibacterial external thread, metal parts stainless steel

Order No.	Version	D	L
K0274.120006144X15	screw stainless steel	M6	15

## Wing grips "Miniwing" antistatic

**Material:**

Thermoplastic, graphite black.  
Bush brass or threaded pin steel 5.8.

**Version:**

Bush or screw blue chromed.

**Sample order:**

K0274.1100624X15

**Application:**

Sensitive electrical or electronic equipment, components and devices (ESD sensitive elements) may be damaged or destroyed by electrostatic discharges (ESD) in the immediate vicinity. Electrostatic discharges can come from people or through handling ESD sensitive components (e.g. during production, assembly, transport, storage etc).

Electrically conductive products which conform to DIN EN 61340-5-1 are essential within electronic environments to prevent an electrostatic discharge.

These products can be used for ESD applications or in ESD protection areas (EPA) in accordance with DIN EN 61340-5-1.

The yellow ESD logo is printed on the side of the product to clearly identify it.

**Safety:**

These ESD products can also be used for devices, components and protection systems in areas with high risk of explosion. Use of these ESD products prevents the occurrence of electrostatic spark discharges, eliminating the potential ignition of gases and dusts which could lead to explosions in enclosed spaces.

Manufacturers and operators must use and conform to ATEX directives for the protection of persons working in areas with high risk of explosion.

These ESD products are certified by TÜV-Süd in relation to their electrical discharge capability.

**Target groups:**

Device manufacturers required to conform to ATEX product directive 2014/34/EU.

Operators required to conform to ATEX worker protection directive 1999/92/EC.

## KIPP Wing grips "Miniwing" antistatic with internal thread

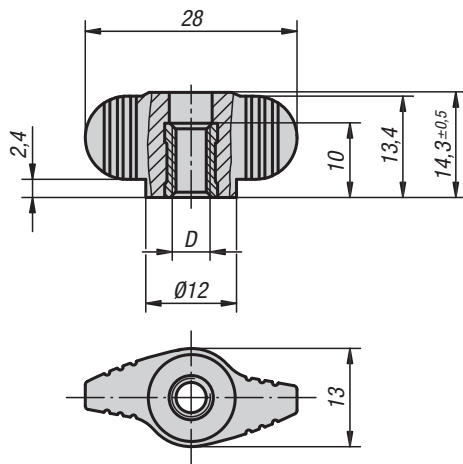
Order No.	Colour	Version	D	Size	T
K0274.1100624	graphite black	bush brass	M6	0	9

## KIPP Wing grips "Miniwing" antistatic with external thread

Order No.	Colour	Version	D	Size	L
K0274.1100624X15	graphite black	screw steel	M6	0	15

## Wing grips "Miniwing"

tapped through



Technical freedom played an important role during the development of these small sized wing grips. The result is a miniwing that is far more than a means to an end. It is a rational and comfortable to use operating and working element.

**Material:**

Grip thermoplastic.

Bush steel 5.8 or stainless steel 1.4305.

**Version:**

Grip black grey.

Steel blue chromed

Stainless steel bright.

**Sample order:**

K0658.1004

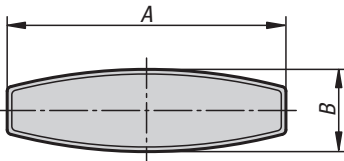
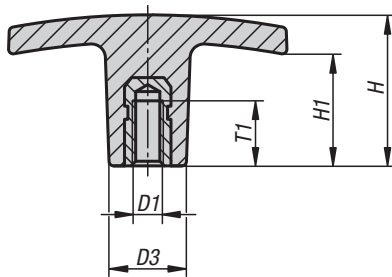
### KIPP Wing grips "Miniwing" with tapped through bush

Order No.	Version	D
K0658.1004	bush steel	M4
K0658.1005	bush steel	M5
K0658.1006	bush steel	M6
K0658.10004	bush stainless steel	M4
K0658.10005	bush stainless steel	M5
K0658.10006	bush stainless steel	M6

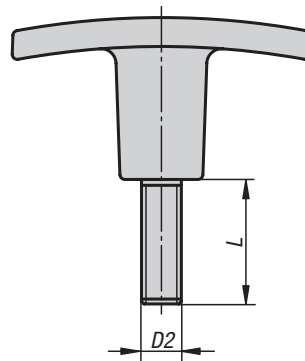
## T-grips



T-grip with internal thread



T-grip with external thread



**Material:**

Fibreglass reinforced thermoplastic.  
Tapped bush brass.  
Screw steel.

**Version:**

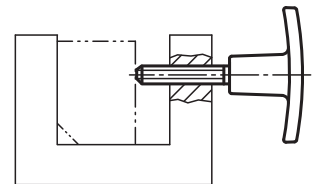
Grip, black.  
Screw galvanized.

**Sample order:**

K0180.25005X15 (include length L)

**On request:**

Grip colour red, yellow, green, blue, white or grey (min. quantity 500).



### KIPP T-grips, with internal thread

Order No.	A	B	D1	D3	H	H1	T1
K0180.14005	40	13	M5	13	30,5	20	10
K0180.15005	50	15	M5	14	24	16	10
K0180.16006	60	17	M6	16	31,5	23	12
K0180.17108	71	19,5	M8	20	36	19	20
K0180.17110	71	19,5	M10	20	36	19	20
K0180.18010	80	26	M10	26	39,5	26	25
K0180.18012	80	26	M12	26	39,5	26	25

### KIPP T-grips, with external thread

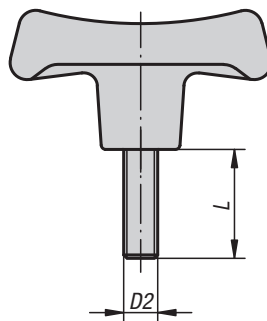
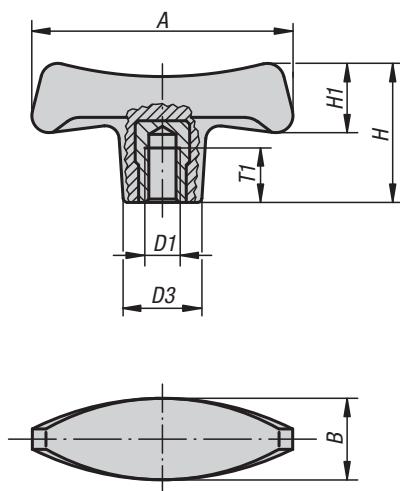
Order No.	A	B	D2	D3	H	H1	L
K0180.24005X	40	13	M5	13	30,5	20	15
K0180.25005X	50	15	M5	14	24	16	15/20
K0180.26006X	60	17	M6	16	31,5	23	20/25
K0180.27108X	71	19,5	M8	20	36	19	20/30
K0180.27110X	71	19,5	M10	20	36	19	20/30
K0180.28010X	80	26	M10	26	39,5	26	30
K0180.28012X	80	26	M12	26	39,5	26	40

## T-grips



T-grip with internal thread

T-grip with external thread



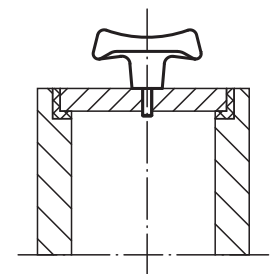
**Material:**  
Duroplast PF 31, black.  
Bush and stud galvanized steel.

**Version:**  
High-gloss polished.

**Sample order:**  
K0181.27006X18 (include length L)

**Note:**  
The versions K0181.17008 and K0181.18008 have a copper plated steel bush.

**On request:**  
Other screw sizes, screw lengths and colours.



### KIPP T-grips, with internal thread

Order No.	A	B	D1	D3	H	H1	T1
K0181.17006	70	22	M6	19,6	38,8	20,2	12
K0181.17008	70	22	M8	19,6	38,8	20,2	14
K0181.17010	70	22	M10	19,6	38,8	20,2	14
K0181.18008	80	25	M8	22,3	44	23	14
K0181.18010	80	25	M10	22,3	44	23	22
K0181.19010	90	28	M10	25	49,6	26	22
K0181.19012	90	28	M12	25	49,6	26	21

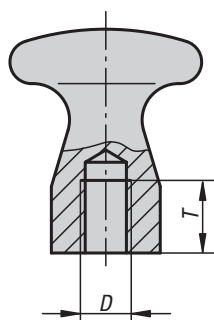
### KIPP T-grips, with external thread

Order No.	A	B	D2	D3	H	H1	L
K0181.27006X	70	22	M6	19,6	38,8	20,2	18
K0181.27008X	70	22	M8	19,6	38,8	20,2	24
K0181.28010X	80	25	M10	22,3	44	23	20/30
K0181.29010X	90	28	M10	25	49,6	26	30
K0181.29012X	90	28	M12	25	49,6	26	24

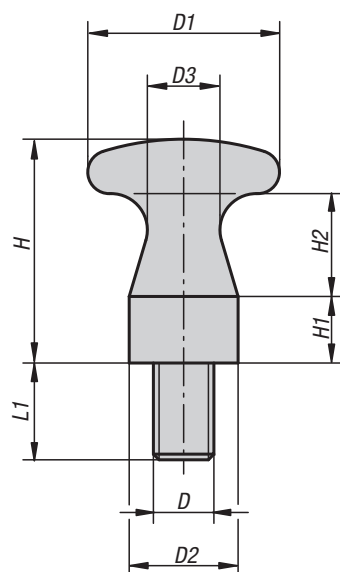
## Knobs flat



Flat knob with internal thread



Flat knob with external thread



**Material:**  
Steel.

**Version:**  
Black oxidised.

**Sample order:**  
K0157.08

### KIPP Knobs flat, internal thread

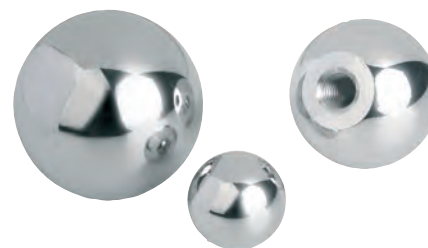
Order No.	D	D1	D2	D3	H	H1	H2	T
K0157.05	M5	16	10	6	18	5	9	7
K0157.06	M6	25	14	10	29	9	13	9
K0157.08	M8	32	18	12	37	11	17	12
K0157.10	M10	36	20	13	42	12	20	15

### KIPP Knobs flat, external thread

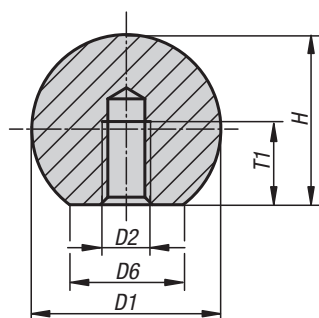
Order No.	D	D1	D2	D3	H	H1	H2	L1
K0157.06010	M6	16	10	6	18	5	9	10
K0157.08014	M8	25	14	10	29	9	13	14
K0157.10016	M10	32	18	12	37	11	17	16
K0157.12018	M12	36	20	13	42	12	20	18

## Ball knobs

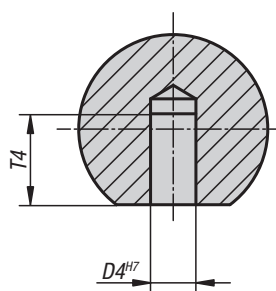
stainless steel or aluminium, DIN 319



Form C  
tapped hole



Form K  
reamed hole



**Material:**

Stainless steel 1.4305 or aluminium.

**Version:**

Polished.

**Sample order:**

K0650.116043

### KIPP Ball knobs stainless steel DIN 319

Order No. Form C	Order No. Form K	D1	D2	D4	~D6	~H	T1 min.	T4 min.
K0650.116043	K0650.316043	16	M4/-	-/6	8	15	7,2/-	-/10
K0650.120053	K0650.320053	20	M5/-	-/8	12	18	9,1/-	-/12
K0650.125063	K0650.325063	25	M6/-	-/10	15	22,5	11/-	-/16
K0650.132083	K0650.332083	32	M8/-	-/12	18	29	14,5/-	-/20
K0650.140103	K0650.340103	40	M10/-	-/16	22	37	18/-	-/25
K0650.150123	K0650.350123	50	M12/-	-/20	28	46	21/-	-/32

### KIPP Ball knobs aluminium DIN 319

Order No. Form C	Order No. Form K	D1	D2	D4	~D6	~H	T1 min.	T4 min.
K0650.116042	K0650.316042	16	M4/-	-/6	8	15	7,2/-	-/10
K0650.120052	K0650.320052	20	M5/-	-/8	12	18	9,1/-	-/12
K0650.125062	K0650.325062	25	M6/-	-/10	15	22,5	11/-	-/16
K0650.132082	K0650.332082	32	M8/-	-/12	18	29	14,5/-	-/20
K0650.140102	K0650.340102	40	M10/-	-/16	22	37	18/-	-/25
K0650.150122	K0650.350122	50	M12/-	-/20	28	46	21/-	-/32

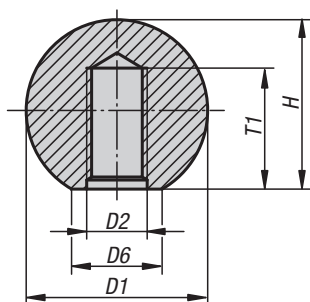


## Ball knobs

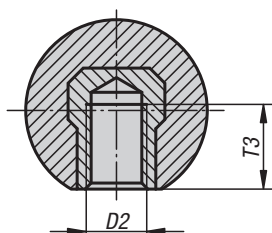
thermoplastic, DIN 319 enhanced



Form C  
plastic thread



Form E  
tapped bush



**Material:**  
Black thermoplastic.  
Bush steel.

**Version:**  
Steel galvanized.

**Sample order:**  
K0158.11604

**On request:**  
Other colours.

### KIPP Ball knobs thermoplastic DIN 319 enhanced

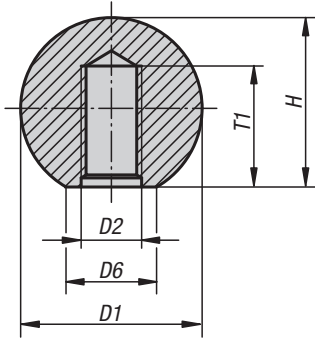
Order No.	Form	D1	D2	~D6	~H	T1 min.	T3 min.
K0158.11604	C	16	M4	8	15	6	-
K0158.11605	C	16	M5	8	15	7,5	-
K0158.12005	C	20	M5	12	18	7,5	-
K0158.12006	C	20	M6	12	18	9	-
K0158.12506	C	25	M6	15	22,5	9	-
K0158.12508	C	25	M8	15	22,5	12	-
K0158.13208	C	32	M8	18	29	12	-
K0158.13210	C	32	M10	18	29	15	-
K0158.22005	E	20	M5	12	18	-	7,5
K0158.22006	E	20	M6	12	18	-	7,5
K0158.22506	E	25	M6	15	22,5	-	9
K0158.22508	E	25	M8	15	22,5	-	9
K0158.23208	E	32	M8	18	29	-	12
K0158.23210	E	32	M10	18	29	-	12

## Ball knobs smooth

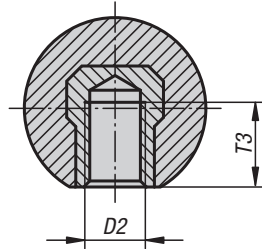
DIN 319 enhanced



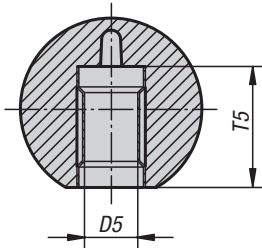
Form C  
moulded thread



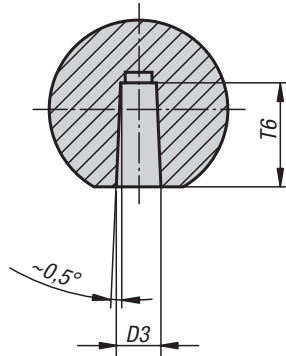
Form E  
tapped bush



Form L  
press-fit sleeve



Form M  
tapered hole



**Material:**

Black Duroplast PF 31.  
Bush galvanized steel.

**Version:**

High-gloss polished.

**Sample order:**

K0159.11604

**Note:**

Assembly, Form L: The ball knobs are installed by tapping lightly with a hammer. Please only use a rubber or plastic hammer with a weight up to 200 g!

The version K0159.21604 has a brass bush.  
The versions K0159.23008, K0159.23508 and K0159.24008 have copper plated steel bushes.

**On request:**

\* These versions are available from stock in dark red at extra charge.

**Shank tolerance:**

Ball knobs with press-fit sleeve can be mounted on standard shafts with tolerance h9. The supplied press-fit sleeve assures a firm and reliable fit.

### KIPP Ball knobs smooth, DIN 319 enhanced, Form C

Order No.	Form	D1	D2	~D6	~H	T1 min.
K0159.11604	C	16	M4	8	15	6
K0159.11605	C	16	M5	8	15	7,5
K0159.11606	C	16	M6	8	15	9
K0159.12005*	C	20	M5	12	18	7,5
K0159.12006	C	20	M6	12	18	9
K0159.12506*	C	25	M6	15	23	9
K0159.12508	C	25	M8	15	23	12
K0159.13008*	C	30	M8	16	28	12
K0159.13208*	C	32	M8	18	29	12
K0159.13210	C	32	M10	18	29	15
K0159.13508	C	36	M8	17	33	18
K0159.13510*	C	36	M10	17	33	15
K0159.14008	C	40	M8	20	37,5	12
K0159.14010*	C	40	M10	20	37,5	15
K0159.14012	C	40	M12	20	37,5	18
K0159.14510	C	45	M10	20	43	15
K0159.14512	C	45	M12	20	43	18
K0159.15010	C	50	M10	22	48	15
K0159.15012*	C	50	M12	22	48	18

## Ball knobs smooth

DIN 319 enhanced



## KIPP Ball knobs smooth, DIN 319 enhanced, Form E

Order No.	Form	D1	D2	~D6	~H	T3 min.
K0159.21604	E	16	M4	8	15	6
K0159.22005*	E	20	M5	12	18	7,5
K0159.22006	E	20	M6	12	18	9
K0159.22506*	E	25	M6	15	23	9
K0159.22508	E	25	M8	15	23	12
K0159.23008*	E	30	M8	16	28	12
K0159.23208	E	32	M8	18	29	12
K0159.23210	E	32	M10	18	29	15
K0159.23508	E	36	M8	17	33	14
K0159.23510	E	36	M10	17	33	14
K0159.24008	E	40	M8	20	37,5	14
K0159.24010*	E	40	M10	20	37,5	15
K0159.24012	E	40	M12	20	37,5	18
K0159.24510	E	45	M10	20	43	22
K0159.24512	E	45	M12	20	43	21
K0159.25010	E	50	M10	22	48	15
K0159.25012*	E	50	M12	22	48	18

## KIPP Ball knobs smooth, DIN 319 enhanced, Form L

Order No.	Form	D1	D5	~D6	~H	T5
K0159.42005	L	20	5	12	18	13
K0159.42506	L	25	6	15	23	16
K0159.42508	L	25	8	15	23	15
K0159.43208	L	32	8	18	29	15
K0159.43210	L	32	10	18	29	20
K0159.44010	L	40	10	20	37,5	20
K0159.44012	L	40	12	20	37,5	23
K0159.45012	L	50	12	22	48	20

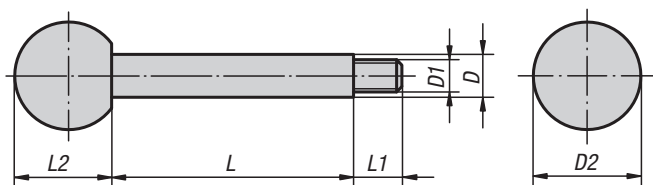
## KIPP Ball knobs smooth, DIN 319 enhanced, Form M

Order No.	Form	D1	D3	~D6	~H	T6
K0159.31604	M	16	4	8	15	9
K0159.32005	M	20	5	12	18	12
K0159.32506	M	25	6	15	23	15
K0159.32508	M	25	8	15	23	15
K0159.33208	M	32	8	18	29	15
K0159.33210	M	32	10	18	29	15
K0159.34010	M	40	10	20	37,5	20
K0159.34012	M	40	12	20	37,5	20
K0159.35012	M	50	12	22	48	22

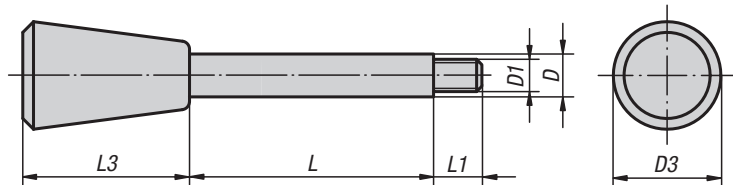
## Handles



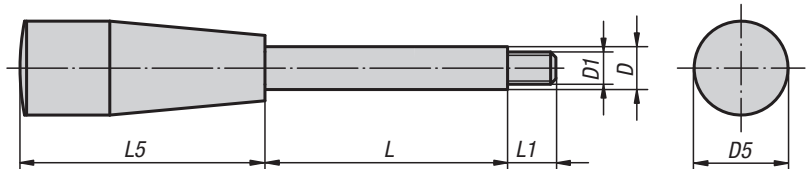
Form A



Form C



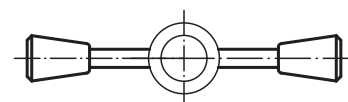
Form E



**Material:**  
Knobs Duroplast PF 31.  
Rod steel 1.0718 or stainless steel 1.4305.

**Version:**  
Duroplast black, high-gloss polished.  
Steel black oxidised or bright stainless steel.

**Sample order:**  
K0179.208X35 (include length L)



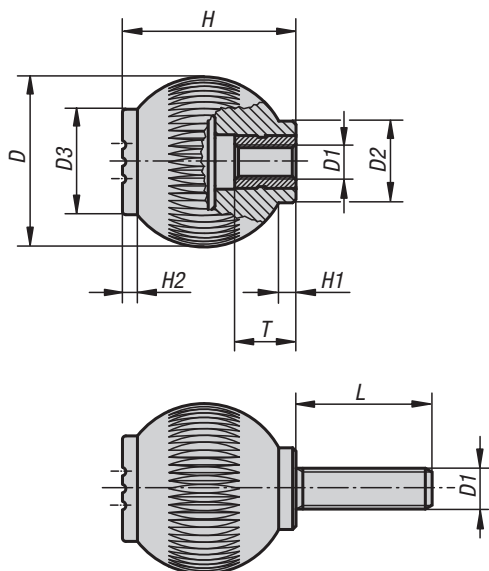
### KIPP Steel rods

Order No.	Form	D	D1	D2	D3	D5	L	L1	L2	L3	L5
K0179.208X	A	8	M6	20	-	-	35/50/65	9	18	-	-
K0179.210X	A	10	M8	25	-	-	50/65/80/100	13	22,5	-	-
K0179.212X	A	12	M10	32	-	-	65/80/100/125	15	29	-	-
K0179.214X	A	14	M12	35	-	-	80/100/125/160	16	32,5	-	-
K0179.408X	C	8	M6	-	20	-	35/50/65	9	-	30	-
K0179.410X	C	10	M8	-	25	-	50/65/80/100	13	-	38	-
K0179.412X	C	12	M10	-	30	-	65/80/100/125	15	-	46	-
K0179.414X	C	14	M12	-	35	-	80/100/125/160	16	-	53	-
K0179.608X	E	8	M6	-	-	17	35/50/65	9	-	-	45
K0179.610X	E	10	M8	-	-	23	50/65/80/100	13	-	-	60
K0179.612X	E	12	M10	-	-	28	65/80/100/125	15	-	-	70
K0179.614X	E	14	M12	-	-	28	80/100/125/160	16	-	-	70

### KIPP Stainless steel rods

Order No.	Form	D	D1	D2	D3	D5	L	L1	L2	L3	L5
K0179.1212X	A	12	M10	32	-	-	100/80/65/125	15	29	-	-
K0179.1210X	A	10	M8	25	-	-	80/65/50/100	13	22,5	-	-
K0179.1208X	A	8	M6	20	-	-	50/65/35	9	18	-	-
K0179.1214X	A	14	M12	35	-	-	100/80/160/125	16	32,5	-	-
K0179.1410X	C	10	M8	-	25	-	80/65/50/100	13	-	38	-
K0179.1412X	C	12	M10	-	30	-	100/80/65/125	15	-	46	-
K0179.1408X	C	8	M6	-	20	-	50/65/35	9	-	30	-
K0179.1414X	C	14	M12	-	35	-	100/80/160/125	16	-	53	-
K0179.1608X	E	8	M6	-	-	17	50/65/35	9	-	-	45
K0179.1610X	E	10	M8	-	-	23	80/65/50/100	13	-	-	60
K0179.1612X	E	12	M10	-	-	28	100/80/65/125	15	-	-	70
K0179.1614X	E	14	M12	-	-	28	100/80/160/125	16	-	-	70

## Spherical knobs



An ergonomically perfect product for three dimensional gripping: The spherical surface also has vertical ribbing. Thanks to CAD designing, the requirements of different fields can be met.

**Material:**  
Thermoplastic, black grey.  
Bush and screw steel 5.8 or stainless steel 1.4305.

**Version:**  
Blue-chromed steel or bright stainless steel.

**Sample order:**  
K0253.1066X15 (cap colour traffic red; include length L.)

**Note:**  
Δ Add the desired cap colour here. No colour code is required for black grey caps.



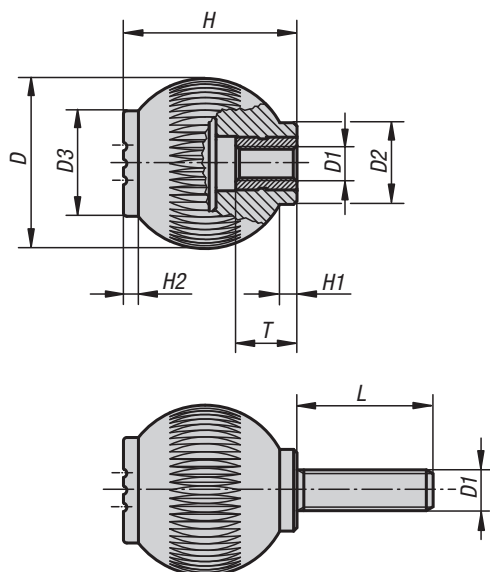
### KIPP Spherical knobs with internal thread

Order No. bush steel	Order No. bush stainless steel	Size	D	D1	D2	D3	H	H1	H2	T
K0253.106Δ	K0253.0106Δ	1	25	M6	12	17	25	3	2	10
K0253.208Δ	K0253.0208Δ	2	32	M8	15,5	19	33	3,5	2,6	14
K0253.310Δ	K0253.0310Δ	3	40	M10	19	23	41,5	4	3	14
K0253.410Δ	K0253.0410Δ	4	50	M10	24	31	51	5,5	4,5	14
K0253.412Δ	K0253.0412Δ	4	50	M12	24	31	51	5,5	4,5	18

### KIPP Spherical knobs with external thread

Order No. screw steel	Order No. screw stainless steel	Size	D	D1	D2	D3	H	H1	H2	L
K0253.106ΔX	K0253.0106ΔX	1	25	M6	12	17	25	3	2	15/20/25/30
K0253.208ΔX	K0253.0208ΔX	2	32	M8	15,5	19	33	3,5	2,6	20/25/30/40
K0253.310ΔX	K0253.0310ΔX	3	40	M10	19	23	41,5	4	3	20/30/40
K0253.410ΔX	K0253.0410ΔX	4	50	M10	24	31	51	5,5	4,5	20/30/40
K0253.412ΔX	K0253.0412ΔX	4	50	M12	24	31	51	5,5	4,5	20/30/40

## Spherical knobs biopolymer

**Material:**

Biopolymer, beech.  
Bush or threaded pin steel 5.8

**Version:**

Bush or threaded pin galvanized and blue chromed.  
Natural beech with beech fibres or coloured black grey.

**Sample order:**

K0253.10106143X15

**Advantages:**

This biopolymer is manufactured entirely from renewable raw materials (oil free).  
Conservation of finite fossil resources.  
The wood fibres originate 100% from local forests in Germany.  
PEFC certified (guarantees that wood products originate from sustainably managed forests).

**Characteristics:**

Excellent mechanical stability (certified with a minimum of 2x safety factor).  
Biopolymer is suitable for recycling (comparable to thermoplastics).  
Suitable for outdoor use (not biodegradable).  
Excellent resistance to strong acids and lyes.  
Short-term resistance to alcohol, fuel, mineral oil and grease.

**KIPP Spherical knobs biopolymer with internal thread**

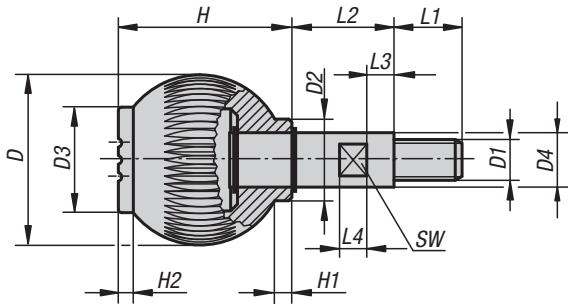
Order No.	Colour	Size	D	D1	D2	D3	H	H1	H2	T
K0253.10106143	natural beech	1	25	M6	12	17	25	3	2	10
K0253.10208143	natural beech	2	32	M8	15,5	19	33	3,5	2,6	14
K0253.1010690	black grey	1	25	M6	12	17	25	3	2	10
K0253.1020890	black grey	2	32	M8	15,5	19	33	3,5	2,6	14

**KIPP Spherical knobs biopolymer with external thread**

Order No.	Colour	Size	D	D1	D2	D3	H	H1	H2	L
K0253.10106143X15	natural beech	1	25	M6	12	17	25	3	2	15
K0253.10208143X20	natural beech	2	32	M8	15,5	19	33	3,5	2,6	20
K0253.1010690X15	black grey	1	25	M6	12	17	25	3	2	15
K0253.1020890X20	black grey	2	32	M8	15,5	19	33	3,5	2,6	20

## Spherical knobs

revolving



An ergonomically perfect product for three-dimensional gripping. The spherical surface also has vertical ribbing. Thanks to CAD designing, the requirements of different fields can be met.

**Material:**  
Thermoplastic, black grey.  
Axis steel 5.8 or stainless steel 1.4305.

**Version:**  
Steel blue-chromed or stainless steel bright.  
Circlips galvanized, including stainless steel version.

**Sample order:**  
K0254.1066 (cap colour traffic red.)

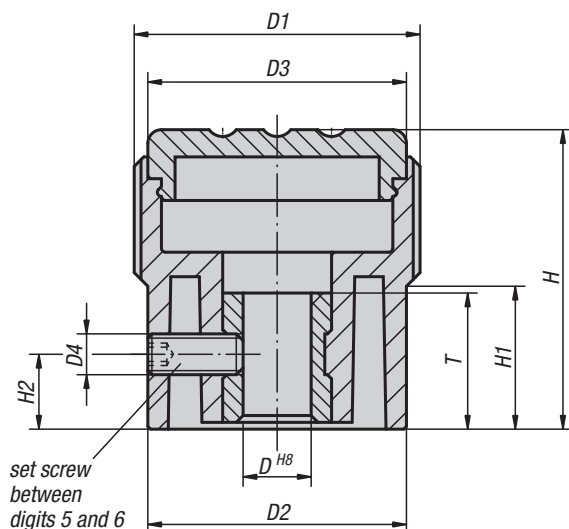
**Note:**  
Δ Add the desired cap colour here.  
No colour code is required for black grey caps.



### KIPP Spherical knobs revolving

Order No. pin steel	Order No. pin stainless steel	Size	D	D1	D2	D3	D4	H	H1	H2	L1	L2	L3	L4	SW
K0254.106Δ	K0254.0106Δ	1	25	M6	12	17	8	25	3	2	10	15	5	5	7
K0254.208Δ	K0254.0208Δ	2	32	M8	15,5	19	10	33	3,5	2,6	12	20	6	6	8
K0254.310Δ	K0254.0310Δ	3	40	M10	19	23	13	41,5	4	3	15	25	7	9	10
K0254.412Δ	K0254.0412Δ	4	50	M12	24	31	16	51	5,5	4,5	20	30	8	8	13

## Control knobs



**Novo-Grip control knobs provide a precise and reproducible position setting, optimal reading of the perfectly incorporated graduations and are easily fastened permanently to the shaft with the integrated set screw.**

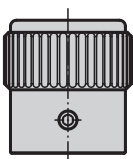
**Material:**  
Thermoplastic, black grey.  
Bush steel.

**Version:**  
Bush, blue chromed.

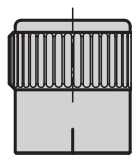
**Sample order:**  
K0248.11055 (cap colour light grey)

**Note:**  
Available without graduations, with one scale line or with 20 graduations and 10 digits.  
Δ Add the desired cap colour here; no colour code is required for black grey caps.

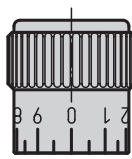
**On request:**  
Special graduations.



Form A  
without  
graduations



Form B  
with one scale  
line



Form C  
with standard  
graduations

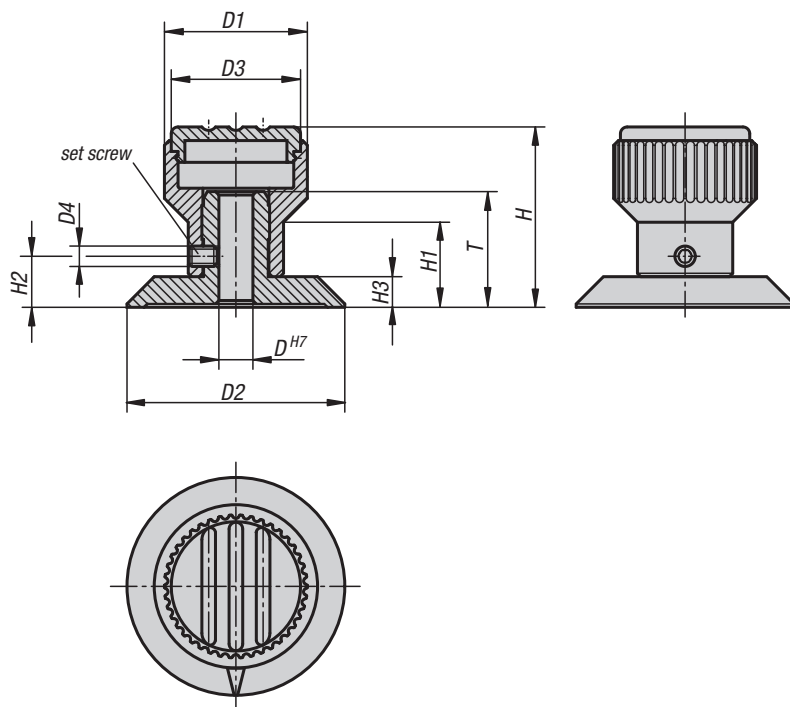


## KIPP Control knobs

Order No.	Form	Size	D	D1	D2	D3	D4	H	H1	H2	T
K0248.1105Δ	A	1	5	21	19	19	M3	22	10,5	5	10
K0248.1206Δ	A	2	6	26	23	23	M3	26	12	6	10
K0248.1308Δ	A	3	8	34	31	31	M4	36	17,5	7	14
K0248.2105Δ	B	1	5	21	19	19	M3	22	10,5	5	10
K0248.2206Δ	B	2	6	26	23	23	M3	26	12	6	10
K0248.2308Δ	B	3	8	34	31	31	M4	36	17,5	7	14
K0248.3105Δ	C	1	5	21	19	19	M3	22	10,5	5	10
K0248.3206Δ	C	2	6	26	23	23	M3	26	12	6	10
K0248.3308Δ	C	3	8	34	31	31	M4	36	17,5	7	14



## Control knobs



This Novo-Grip control knob allows different switching positions to be quickly and easily set. The engraved silver arrow clearly marks the presently set position.

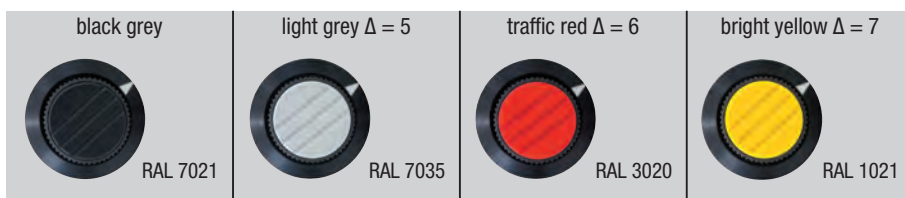
**Material:**  
Knurled knob thermoplastic.  
Washer aluminium.

**Version:**  
Knurled knob black grey.  
Washer, black anodized.

**Sample order:**  
K0249.1055 (cap colour light grey)

**Note:**  
The arrow is engraved after anodizing. The set screw secures both the hub and the pressed-in washer. The H7 hole in the hub ensures a good tight fit on the shaft.

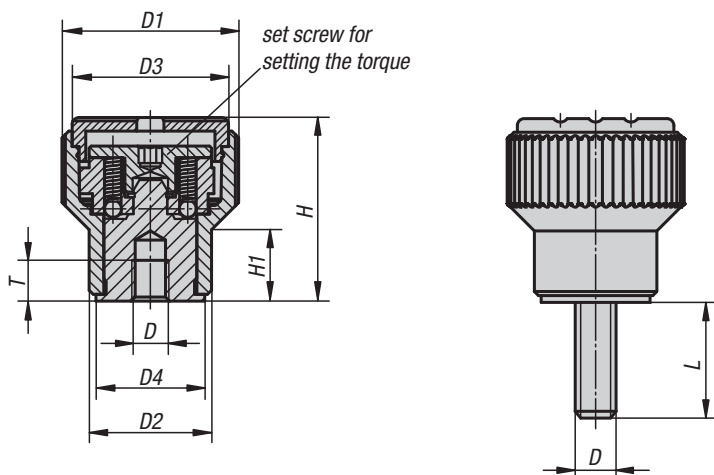
Δ Add the desired cap colour here. No colour code is required for black grey caps.



### KIPP Control knobs

Order No.	Size	D	D1	D2	D3	D4	H	H1	H2	H3	T
K0249.105Δ	1	5	21	32	19	M3	26,5	12,5	7,5	4,5	17
K0249.206Δ	2	6	26	40	23	M4	31,5	15	9,5	5,5	20,5
K0249.308Δ	3	8	34	52	31	M4	43	20	12	7	22

## Knurled torque knobs



**Material:**

Thermoplastic, black grey.  
Bush and screw steel 5.8.

**Version:**

Bush black oxidised.  
Screw blue chromed.

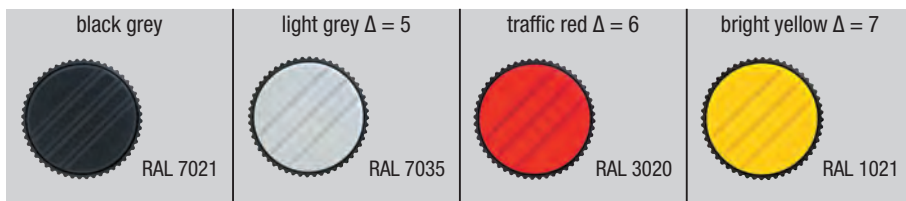
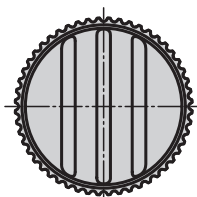
**Sample order:**

K0277.2056X30  
(cap colour traffic red; include length L)

**Note:**

The set screw sets the required torque. The knob de-clutches and turns freely when the desired torque is reached.

Δ Add the desired cap colour here. No colour code is required for black grey caps.



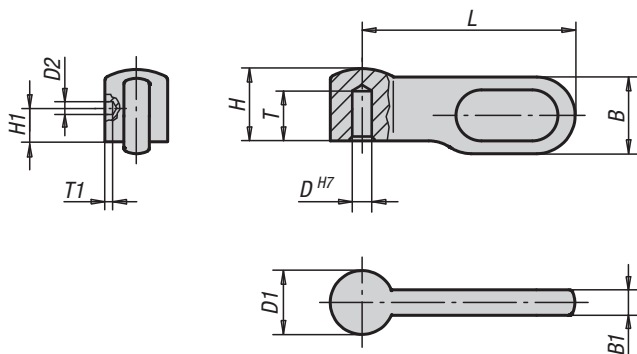
### KIPP Knurled torque knobs with internal thread

Order No.	Version	Size	D	D1	D2	D3	D4	H	H1	T	Adjustable torque approx. Nm min. - max.
K0277.205Δ	bush steel	2	M5	26	18	23	16	27	10,5	5	0,1 - 0,3
K0277.206Δ	bush steel	2	M6	26	18	23	16	27	10,5	6	0,1 - 0,3
K0277.306Δ	bush steel	3	M6	34	22	31	20	37,5	14,5	10	0,1 - 0,3
K0277.308Δ	bush steel	3	M8	34	22	31	20	37,5	14,5	14	0,1 - 0,3

### KIPP Knurled torque knobs with external thread

Order No.	Version	Size	D	D1	D2	D3	D4	H	H1	Adjustable torque approx. Nm min. - max.	L
K0277.205ΔX	screw steel	2	M5	26	18	23	16	27	10,5	0,1 - 0,3	30/50
K0277.206ΔX	screw steel	2	M6	26	18	23	16	27	10,5	0,1 - 0,3	30/50
K0277.306ΔX	screw steel	3	M6	34	22	31	20	37,5	14,5	0,1 - 0,3	40/60
K0277.308ΔX	screw steel	3	M8	34	22	31	20	37,5	14,5	0,1 - 0,3	40/60

## Lock grips



**Material:**

Stainless steel 1.4308 or steel.

**Version:**

Stainless steel bright.  
Steel black oxidised.

**Sample order:**

K0178.1040

**Note:**

Lock grips can be used as required. The styled design with recessed grip gives fingers a good purchase and is well suited to modern requirements. High clamping forces can be easily attained. Use the pilot hole in the side to secure the grip by pinning or screw.

### KIPP Lock grip

Order No.	Version	Size	B	B1	D	D1	D2	H	H1	L	T	T1
K0178.1040	stainless steel	1	9	3	4	7,5	1,5	8,5	3	25	5,5	0,5
K0178.2050	stainless steel	2	10,8	3,6	5	9	2	10,2	4	30	6,5	1
K0178.3060	stainless steel	3	14,4	4,8	6	12	2	13,6	5	40	8,7	1
K0178.4080	stainless steel	4	18	6	8	15	3	17	6	50	10,2	1
K0178.1041	steel	1	9	3	4	7,5	1,5	8,5	3	25	5,5	0,5
K0178.2051	steel	2	10,8	3,6	5	9	2	10,2	4	30	6,5	1
K0178.3061	steel	3	14,4	4,8	6	12	2	13,6	5	40	8,7	1
K0178.4081	steel	4	18	6	8	15	3	17	6	50	10,2	1

