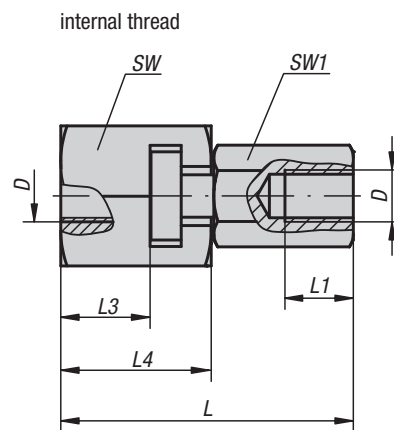
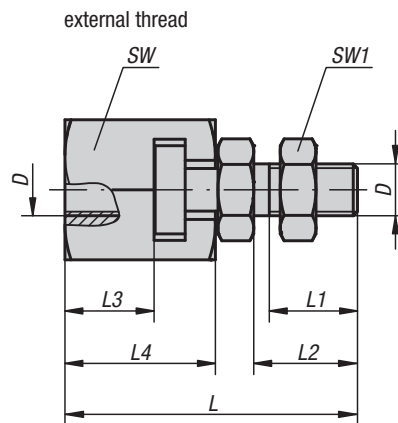
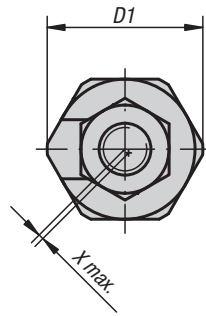


Joints

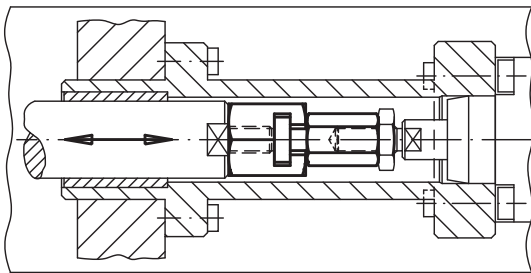


Quick-fit couplings

with radial offset compensation



application example:



Material:

Coupling part and claw in steel.
Nut (DIN 439) in steel, grade 8.8.

Version:

Coupling part and claw tempered and phosphated.
Nut steel, black oxidised.

Sample order:

K0709.16

Note:

Quick-fit couplings with radial offset compensation for multiple applications, e.g. as a link between a piston rod and a linear-movement unit. Assembly and disassembly of this simple, solid and two-part coupling is carried out by means of a T-slot; a manual re-adjustment is not necessary. The quick-fit coupling can be linked to all commonly used pneumatic and hydraulic lifting cylinders via the connecting thread.

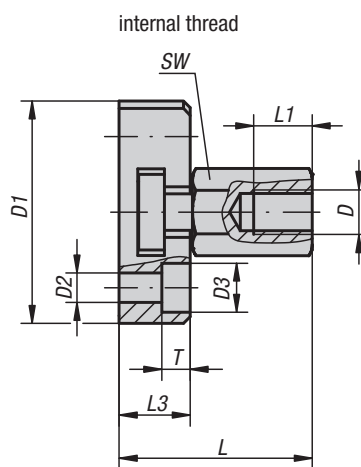
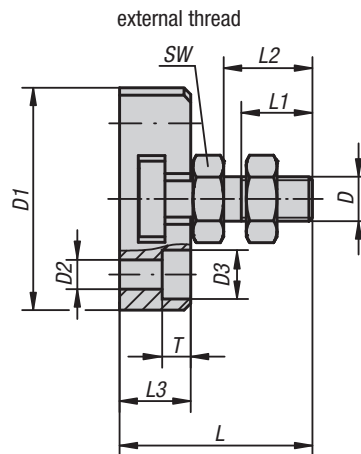
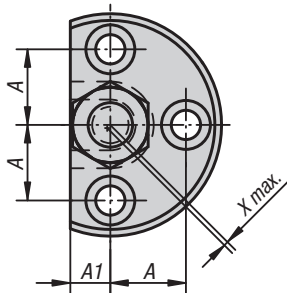
The quick-fit coupling does not transmit any torque.

KIPP Quick-fit couplings with radial offset compensation

Order No.	Version	D	D1	~L	L1 min.	L2	L3 min.	L4	SW	SW1	Max. radial shift compensation X max.	Max. permissible tensile and compressive stress in kN
K0709.06	Internal thread	M6	21	37,5	11	-	9	18	19	10	0,6	2,5
K0709.08	Internal thread	M8	26	45	13,5	-	11,5	22,5	24	13	0,7	4,5
K0709.10	Internal thread	M10	30	56,2	15	-	16	29	27	17	0,7	6,5
K0709.101	Internal thread	M10x1,25	30	56,2	15	-	16	29	27	17	0,7	6,5
K0709.12	Internal thread	M12	32,5	66,7	17,5	-	17	34	30	19	0,8	10
K0709.121	Internal thread	M12x1,25	32,5	66,7	17,5	-	17	34	30	19	0,8	10
K0709.16	Internal thread	M16	39	83	22	-	23	42	36	24	1	18
K0709.161	Internal thread	M16x1,5	39	83	22	-	23	42	36	24	1	18
K0709.20	Internal thread	M20	44	93,5	25	-	23,5	45,5	41	30	1	30
K0709.201	Internal thread	M20x1,5	44	93,5	25	-	23,5	45,5	41	30	1	30
K0709.0614	External thread	M6	21	37,5	11	14	9	18	19	10	0,6	2,5
K0709.0817	External thread	M8	26	45	13,5	17	11,5	22,5	24	13	0,7	4,5
K0709.1020	External thread	M10	30	56,2	16	20	16	29	27	17	0,7	6,5
K0709.10201	External thread	M10x1,25	30	56,2	16	20	16	29	27	17	0,7	6,5
K0709.1225	External thread	M12	32,5	66,7	21	25	17	34	30	19	0,8	10
K0709.12251	External thread	M12x1,25	32,5	66,7	21	25	17	34	30	19	0,8	10
K0709.1630	External thread	M16	39	83	25	30	23	42	36	24	1	18
K0709.16301	External thread	M16x1,5	39	83	25	30	23	42	36	24	1	18
K0709.2035	External thread	M20	44	93,5	29	35	23,5	45,5	41	30	1	30
K0709.20351	External thread	M20x1,5	44	93,5	29	35	23,5	45,5	41	30	1	30

Quick-fit couplings

with radial offset compensation and mounting flange



Material:
Coupling part and steel flange.
Nut (DIN 439), grade 8.8.

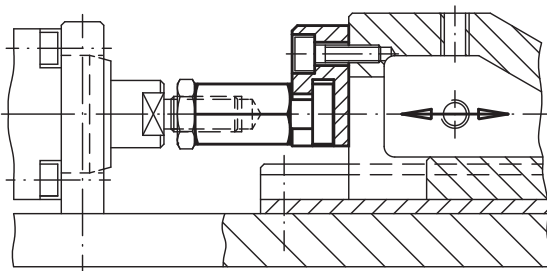
Version:
Coupling part and flange tempered and phosphated.
Nut black oxidised.

Sample order:
K0710.20351

Note:
Space saving quick-fit couplings with radial offset compensation suitable for multiple applications, e.g. as a link between a piston rod and a linear-movement unit. Assembly and disassembly of this simple, solid and two-part coupling is with a T-slot, a manual re-adjustment is not necessary. The quick-fit coupling can be linked to all commonly used pneumatic and hydraulic lifting cylinders via the connecting thread.

The quick-fit coupling does not transmit any torque.

application example:

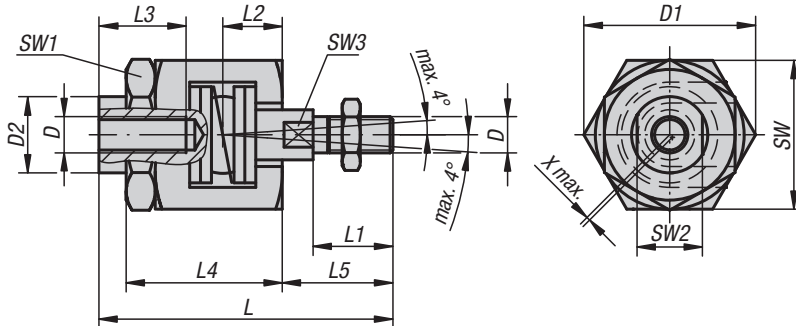


KIPP Quick-fit couplings with radial offset compensation and mounting flange

Order No.	Version	D	D1	D2	D3	A	A1	~L	L1 min.	L2	L3	T	SW	Max. radial shift compensation X max.	Max. permissible tensile and compressive stress in kN
K0710.06	Internal thread	M6	42	5,5	10	14	7	30,5	11	-	11	5,4	10	0,6	2,5
K0710.08	Internal thread	M8	48	6,6	11	16	8	35,5	13,5	-	13	6,4	13	0,7	4,5
K0710.10	Internal thread	M10	50	6,6	11	17	9	43,2	15	-	16	6,4	17	0,7	6,5
K0710.101	Internal thread	M10x1,25	50	6,6	11	17	9	43,2	15	-	16	6,4	17	0,7	6,5
K0710.12	Internal thread	M12	55	6,6	11	19	10	53,2	17,5	-	20,5	6,4	19	0,8	10
K0710.121	Internal thread	M12x1,25	55	6,6	11	19	10	53,2	17,5	-	20,5	6,4	19	0,8	10
K0710.16	Internal thread	M16	65	9	15	22,5	12,5	64	22	-	23	8,5	24	1	18
K0710.161	Internal thread	M16x1,5	65	9	15	22,5	12,5	64	22	-	23	8,5	24	1	18
K0710.20	Internal thread	M20	80	11	18	28	17	74	25	-	26	10	30	1	30
K0710.201	Internal thread	M20x1,5	80	11	18	28	17	74	25	-	26	10	30	1	30
K0710.0614	External thread	M6	42	5,5	10	14	7	30,5	11	14	11	5,4	10	0,6	2,5
K0710.0817	External thread	M8	48	6,6	11	16	8	35,5	13,5	17	13	6,4	13	0,7	4,5
K0710.1020	External thread	M10	50	6,6	11	17	9	43,2	16	20	16	6,4	17	0,7	6,5
K0710.10201	External thread	M10x1,25	50	6,6	11	17	9	43,2	16	20	16	6,4	17	0,7	6,5
K0710.1225	External thread	M12	55	6,6	11	19	10	53,2	21	25	20,5	6,4	19	0,8	10
K0710.12251	External thread	M12x1,25	55	6,6	11	19	10	53,2	21	25	20,5	6,4	19	0,8	10
K0710.1630	External thread	M16	65	9	15	22,5	12,5	64	25	30	23	8,5	24	1	18
K0710.16301	External thread	M16x1,5	65	9	15	22,5	12,5	64	25	30	23	8,5	24	1	18
K0710.2035	External thread	M20	80	11	18	28	17	74	29	35	26	10	30	1	30
K0710.20351	External thread	M20x1,5	80	11	18	28	17	74	29	35	26	10	30	1	30

Quick-fit couplings

with angular and radial offset compensation



Material:

Coupling part in carbon steel.
Claw and seat in steel. Carbon steel nut.
Locking nut (EN 24035) in steel, grade 8.8
stainless steel spring.

Version:

Coupling part, nitrided, black.
Claw and seat, tempered and phosphated. Phosphated
nut.
Black locking nut.

Sample order:

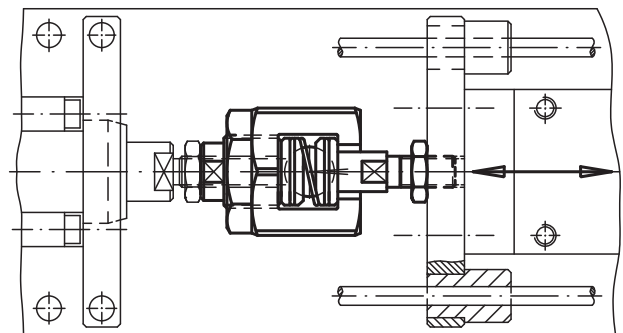
K0711.12

Note:

Quick-fit coupling, adjustable without axial play, including angular and radial offset compensation. Suitable for multiple applications, e.g. for non-aligned linear-movements. Solid and compact design, no loose elements. Assembly and disassembly with a T-slot; a manual re-adjustment is not necessary. The quick-fit coupling can be linked to all commonly used pneumatic and hydraulic lifting cylinders via the connecting thread.

The quick-fit coupling does not transmit any torque.

application example:

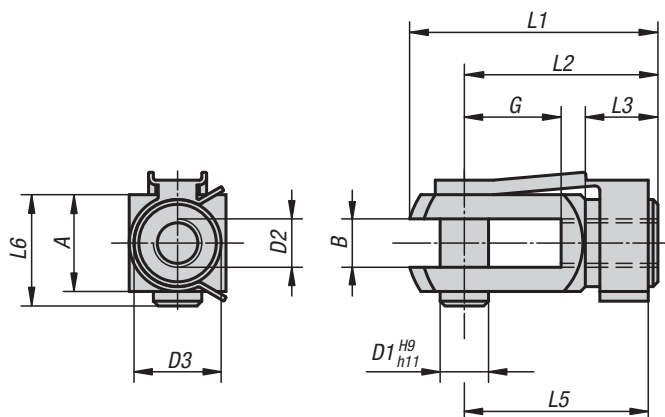


KIPP Quick-fit couplings with angular and radial offset compensation

Order No.	D	D1	D2	~L	L1	L2	L3 min.	L4	L5	SW	SW1	SW2	SW3	Max. radial shift compensation X max.	Max. permissible tensile and compressive stress in kN
K0711.06	M6	24,5	9,6	52	14	9,5	13	29	18,5	22	19	8	5	0,6	2,5
K0711.08	M8	30	15	63	18	11,5	16	33	23,5	27	24	13	7	0,6	4,5
K0711.10	M10	44	21	81	22	16	24	43	30,5	41	36	18	12	0,7	6,5
K0711.101	M10x1,25	44	21	81	22	16	24	43	30,5	41	36	18	12	0,7	6,5
K0711.12	M12	44	21	85	26	16	24	43	34,5	41	36	18	12	0,7	10
K0711.121	M12x1,25	44	21	85	26	16	24	43	34,5	41	36	18	12	0,7	10
K0711.16	M16	60	32	121	34	26	34	62	45	55	46	27	18	1	18
K0711.161	M16x1,5	60	32	121	34	26	34	62	45	55	46	27	18	1	18
K0711.20	M20	60	32	129	42	26	34	62	53	55	46	27	18	1	30
K0711.201	M20x1,5	60	32	129	42	26	34	62	53	55	46	27	18	1	30

Clevis joints with snap-in pin

DIN 71752



Material:

Clevis and pins free-cutting steel.
Spring, spring steel.

Version:

Galvanized and chromed.

Sample order:

K0731.0510

On request:

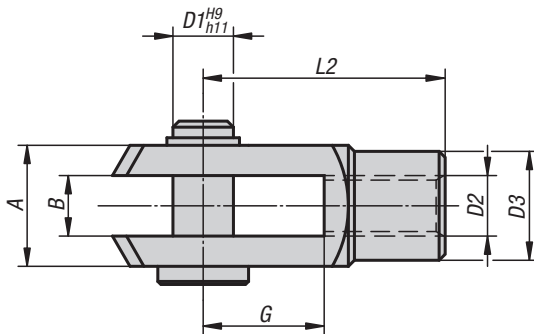
Left-handed thread.

KIPP Clevis joints with snap-in pin DIN 71752

Order No.	Version	B	G	D1	D2	D3	L1	L2	L3	~L5	~L6	A
K0731.0510	RH thread	5	10	5	M5	9	26	20	7,5	19	12	10
K0731.0612	RH thread	6	12	6	M6	10	31	24	9	23	14	12
K0731.0816	RH thread	8	16	8	M8	14	42	32	12	31	19	16
K0731.0832	RH thread	8	32	8	M8	14	58	48	12	47	19	16
K0731.1020	RH thread	10	20	10	M10	18	52	40	15	39	23	20
K0731.10120	RH thread	10	20	10	M10x1,25	18	52	40	15	39	23	20
K0731.1040	RH thread	10	40	10	M10	18	72	60	15	59	23	20
K0731.10140	RH thread	10	40	10	M10x1,25	18	72	60	15	59	23	20
K0731.1224	RH thread	12	24	12	M12	20	62	48	18	47	28	24
K0731.12124	RH thread	12	24	12	M12x1,25	20	62	48	18	47	28	24
K0731.1248	RH thread	12	48	12	M12	20	86	72	18	69	28	24
K0731.12148	RH thread	12	48	12	M12x1,25	20	86	72	18	69	28	24
K0731.1428	RH thread	14	28	14	M14	24	72	56	22,5	52	31	27
K0731.1632	RH thread	16	32	16	M16	26	83	64	24	62	36	32
K0731.16132	RH thread	16	32	16	M16x1,5	26	83	64	24	62	36	32

Clevis joints stainless steel

DIN 71752



Material:
Stainless steel 1.4305.

Version:
Bright.

Sample order:
K0732.0816

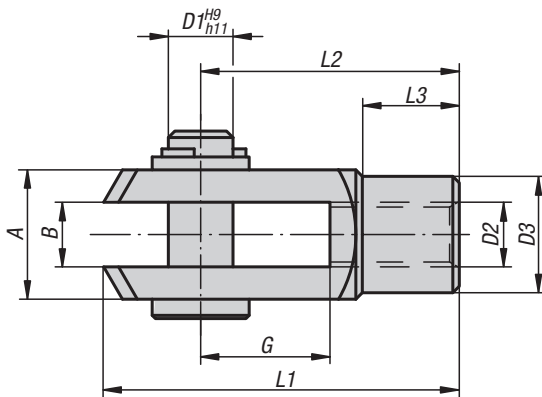
On request:
Left-handed thread.

KIPP Clevis joints stainless steel DIN 71752

Order No.	Version	B	G	D1	D2	D3	L2	A
K0732.0510	RH thread	5	10	5	M5	9	20	10
K0732.0612	RH thread	6	12	6	M6	10	24	12
K0732.0816	RH thread	8	16	8	M8	14	32	16
K0732.0832	RH thread	8	32	8	M8	14	48	16
K0732.1020	RH thread	10	20	10	M10	18	40	20
K0732.10120	RH thread	10	20	10	M10x1,25	18	40	20
K0732.1040	RH thread	10	40	10	M10	18	60	20
K0732.1224	RH thread	12	24	12	M12	20	48	24
K0732.12124	RH thread	12	24	12	M12x1,25	20	48	24
K0732.1248	RH thread	12	48	12	M12	20	72	24
K0732.12148	RH thread	12	48	12	M12x1,25	20	72	24
K0732.1428	RH thread	14	28	14	M14	24	56	27
K0732.1632	RH thread	16	32	16	M16	26	64	32
K0732.16132	RH thread	16	32	16	M16x1,5	26	64	32

Clevis joints

DIN 71752



Material:
Free-cutting steel.

Version:
galvanized.

Sample order:
K0733.0510

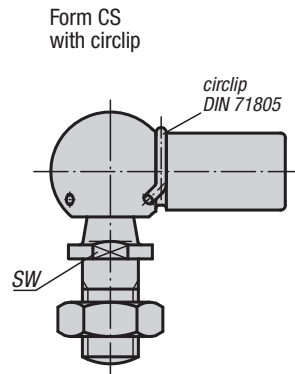
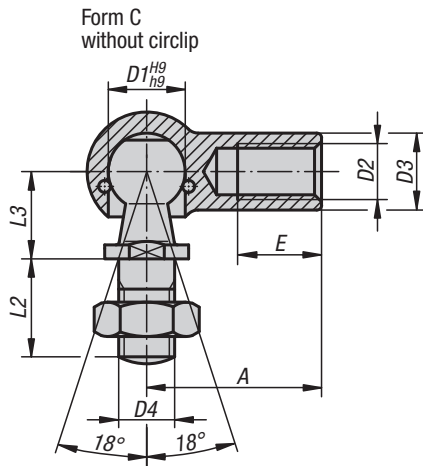
On request:
Left-handed thread.

KIPP Clevis joints DIN 71752

Order No.	Version	B	G	D1	D2	D3	L1	L2	L3	A
K0733.0510	RH thread	5	10	5	M5	9	26	20	7,5	10
K0733.0612	RH thread	6	12	6	M6	10	31	24	9	12
K0733.0816	RH thread	8	16	8	M8	14	42	32	12	16
K0733.0832	RH thread	8	32	8	M8	14	58	48	12	16
K0733.1020	RH thread	10	20	10	M10	18	52	40	15	20
K0733.10120	RH thread	10	20	10	M10x1,25	18	52	40	15	20
K0733.1040	RH thread	10	40	10	M10	18	72	60	15	20
K0733.10140	RH thread	10	40	10	M10x1,25	18	72	60	15	20
K0733.1224	RH thread	12	24	12	M12	20	62	48	18	24
K0733.12124	RH thread	12	24	12	M12x1,25	20	62	48	18	24
K0733.1248	RH thread	12	48	12	M12	20	86	72	18	24
K0733.12148	RH thread	12	48	12	M12x1,25	20	86	72	18	24
K0733.1428	RH thread	14	28	14	M14	24	72	56	22,5	27
K0733.1632	RH thread	16	32	16	M16	26	83	64	24	32
K0733.16132	RH thread	16	32	16	M16x1,5	26	83	64	24	32

Ball joints

DIN 71802



Material:

Steel or stainless steel 1.4305

Version:

Galvanized and chromed.
Stainless steel bright.

Sample order:

K0734.08051

Note:

With snap ring.

On request:

Left-handed thread.

KIPP Ball joints DIN 71802

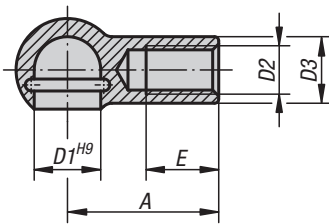
Order No.	Form	Material	D1	D2	D3	D4	A	L2	L3	E	SW
K0734.0805	C	steel	8	M5	8	M5	22	10	9	10,2	7
K0734.1006	C	steel	10	M6	10	M6	25	12	11	11,5	8
K0734.1308	C	steel	13	M8	13	M8	30	16	13	14	11
K0734.1610	C	steel	16	M10	16	M10	35	19	16	15,5	13
K0734.1612	C	steel	16	M12	16	M12	35	19	16	15,5	13
K0734.1914	C	steel	19	M14x1,5	22	M14x1,5	45	27	20	21,5	16
K0734.1916	C	steel	19	M16	22	M16	45	27	20	21,5	16
K0734.08051	CS	steel	8	M5	8	M5	22	10	9	10,2	7
K0734.10061	CS	steel	10	M6	10	M6	25	12	11	11,5	8
K0734.13081	CS	steel	13	M8	13	M8	30	16	13	14	11
K0734.16101	CS	steel	16	M10	16	M10	35	19	16	15,5	13
K0734.16121	CS	steel	16	M12	16	M12	35	19	16	15,5	13
K0734.19141	CS	steel	19	M14x1,5	22	M14x1,5	45	27	20	21,5	16
K0734.19161	CS	steel	19	M16	22	M16	45	27	20	21,5	16
K0734.08052	CS	stainless steel	8	M5	8	M5	22	10	9	10,2	7
K0734.10062	CS	stainless steel	10	M6	10	M6	25	12	11	11,5	8
K0734.13082	CS	stainless steel	13	M8	13	M8	30	16	13	14	11
K0734.16102	CS	stainless steel	16	M10	16	M10	35	19	16	15,5	13
K0734.16122	CS	stainless steel	16	M12	16	M12	35	19	16	15,5	13

Ball seats for ball joints

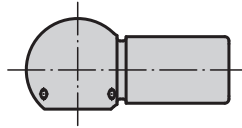
DIN 71805



Form A
with snap ring



Form B
with snap ring and
groove for circlip



Material:
Steel.

Version:
Galvanized and chromed.

Sample order:
K0712.08051

Note:
The ball seats are spare parts for DIN 71802 ball joints.
See circlips for ball seats for suitable clips for Form B.

On request:
Stainless steel ball seats.

KIPP Ball seats for ball joints DIN 71805

Order No. Form A	Order No. Form B	D1	D2	D3	A	E
K0712.0805	K0712.08051	8	M5	8	22	10,2
K0712.1006	K0712.10061	10	M6	10	25	11,5
K0712.1308	K0712.13081	13	M8	13	30	14
K0712.1610	K0712.16101	16	M10	16	35	15,5
K0712.1612	K0712.16121	16	M12	16	35	15,5
K0712.1916	K0712.19161	19	M16	22	45	21,5
K0712.1914	K0712.19141	19	M14x1,5	22	45	21,5

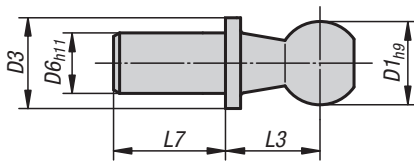


Ball studs for ball joints

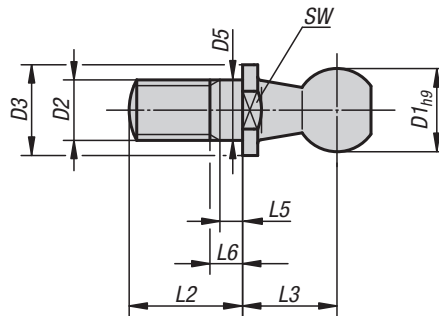
DIN 71803



Form B
with rivet pin



Form C
with threaded pin and SW

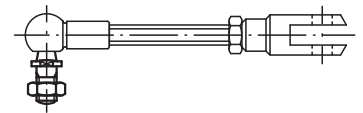


Material:
Steel.

Version:
Galvanized and chromed.

Sample order:
K0713.1006

Note:
The ball studs are spare parts for DIN 71802 ball joints.

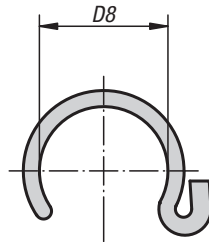
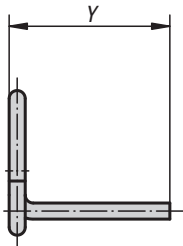


KIPP Ball studs for ball joints DIN 71803

Order No.	Form	Version	D1	D2	D3	D5	D6	L2	L3	L5 min.	L6 max.	L7	SW
K0713.0840	B	short	8	-	8	-	5	-	9	-	-	4	-
K0713.1045	B	short	10	-	10	-	6	-	11	-	-	4,5	-
K0713.1305	B	short	13	-	13	-	8	-	13	-	-	5	-
K0713.1606	B	short	16	-	16	-	10	-	16	-	-	6	-
K0713.1912	B	short	19	-	19	-	14	-	20	-	-	12	-
K0713.0875	B	long	8	-	8	-	5	-	9	-	-	7,5	-
K0713.1080	B	long	10	-	10	-	6	-	11	-	-	8	-
K0713.1310	B	long	13	-	13	-	8	-	13	-	-	10	-
K0713.1613	B	long	16	-	16	-	10	-	16	-	-	13	-
K0713.1918	B	long	19	-	19	-	14	-	20	-	-	18	-
K0713.0805	C	-	8	M5	8	5	-	10,2	9	1,2	4	-	7
K0713.1006	C	-	10	M6	10	6	-	12,5	11	1,2	4	-	8
K0713.1308	C	-	13	M8	13	8	-	16,5	13	1,5	5,3	-	11
K0713.1610	C	-	16	M10	16	10	-	20	16	2,5	7,3	-	13
K0713.1612	C	-	16	M12	16	12	-	20	16	2,5	7,3	-	13
K0713.1914	C	-	19	M14x1,5	19	14	-	28	20	5	10,8	-	16

Circlips for ball seats

DIN 71805



Material:
Spring steel

Version:
Galvanized and chromed.

Sample order:
K0714.08

Note:
For DIN 71805 ball seats.

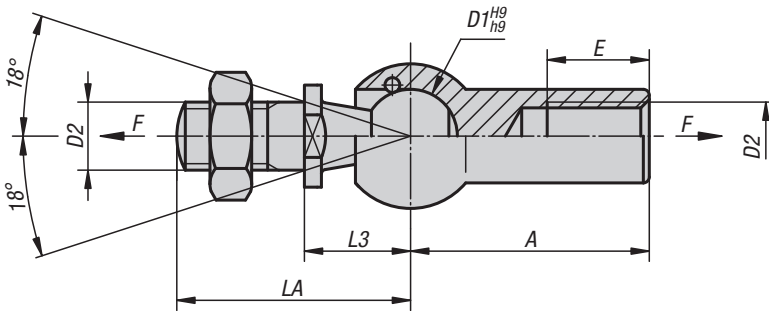


KIPP Circlips for ball seats DIN 71805

Order No.	Type	D8	Y	Suitable for ball sockets with D1
K0714.08	S 8	7	12	8
K0714.10	S10	8,7	12,5	10
K0714.13	S13	11	15,7	13
K0714.16	S16	13	19	16
K0714.19	S19	20	24	19

Axial joints

similar to DIN 71802



Material:
Steel.

Version:
Galvanized and chromed.

Sample order:
K0715.10

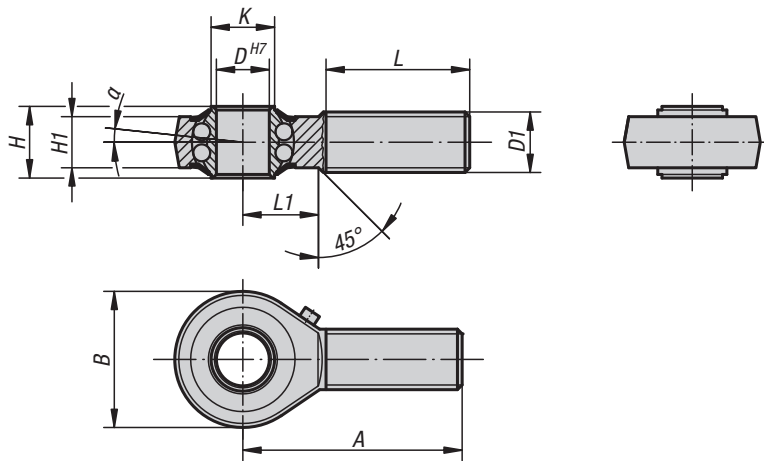
On request:
Axial joints with greater extraction force and left-hand thread available.

KIPP Axial joints similar to DIN 71802

Order No.	D1	D2	A	LA	L3	E	Extraction force F in N
K0715.08	8	M5	22	19,2	9	10,2	30
K0715.10	10	M6	25	23,5	11	11,5	40
K0715.13	13	M8	30	29,5	13	14	60
K0715.16	16	M10	35	36	16	15,5	80
K0715.19	19	M14x1,5	45	48	20	21,5	100

Rod ends with ball bearing

external thread



Material:

Casing drop-forged steel, tempered.

Version:

Galvanized.

Internal clearance 15 - 40 µm.

Sample order:

K0716.12

Note:

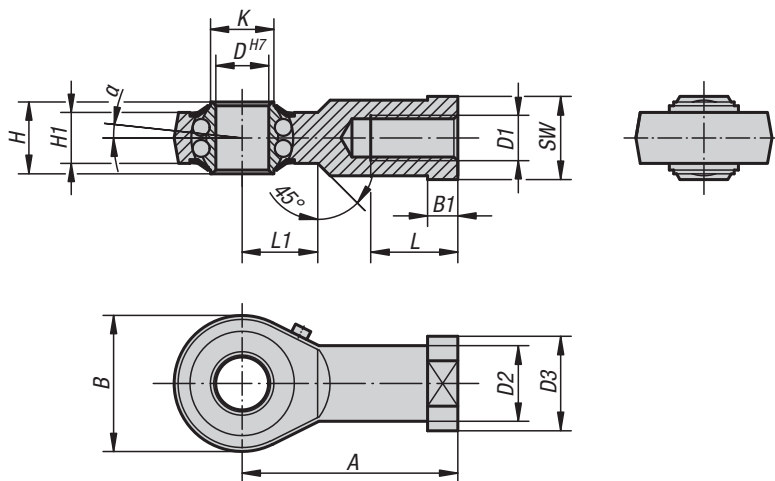
The hardened ball bearing is long-term greased and sealed with cover washers. The connection dimensions comply with DIN 648 Form Series KA. Rod ends are primarily used where movement processes are transmitted and there is no exact alignment.

KIPP Rod ends with ball bearing external thread

Order No. right-handed thread	Order No. left-handed thread	D	D1	A	B	H	H1	K	L	L1	α	Dynamic load rating N	Static load rating N	Rev. limit n max. 1/min
K0716.06	K0716.061	6	M6	36	20	9	6,75	9	22	12	8°	2750	650	1350
K0716.08	K0716.081	8	M8	42	24	12	9	10,5	25	15	8,5°	4000	1000	1300
K0716.10	K0716.101	10	M10	48	28	14	10,5	12	29	15	8°	4450	1450	1225
K0716.12	K0716.121	12	M12	54	32	16	12	14,5	33	19	7,5°	4950	1800	1125
K0716.16	K0716.161	16	M16	66	42	21	15	19	40	22	8°	6250	2350	975
K0716.20	K0716.201	20	M20x1,5	78	50	25	18	24,5	47	28	7°	7900	3450	825
K0716.22	K0716.221	22	M22x1,5	84	54	28	20	26	51	26	8°	9300	3980	725

Rod ends with ball bearing

internal thread



Material:

Casing drop-forged steel, tempered.

Version:

Galvanized.

Internal clearance 15 - 40 µm.

Sample order:

K0717.16

Note:

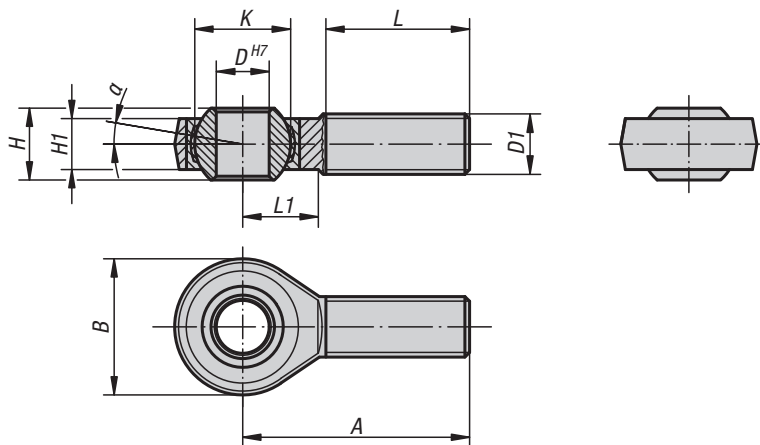
The hardened ball bearing is long-term greased and sealed with cover washers. The connection dimensions comply with DIN 648 Form Series KA.

KIPP Rod ends with ball bearing internal thread

Order No. right-handed thread	Order No. left-handed thread	D	D1	D2	D3	A	B	B1	H	H1	K	L	L1	SW	α	Dynamic load rating N	Static load rating N	Rev. limit n max. 1/min
K0717.06	K0717.061	6	M6	10	13	30	20	5	9	6,75	9	12	10	11	8°	2750	650	1350
K0717.08	K0717.081	8	M8	12,5	16	36	24	5	12	9	10,5	16	12	14	8,5°	4000	1000	1300
K0717.10	K0717.101	10	M10	15	19	43	28	6,5	14	10,5	12	20	15	17	8°	4450	1450	1225
K0717.12	K0717.121	12	M12	17,5	22	50	32	6,5	16	12	14,5	22	16	19	7,5°	4950	1800	1125
K0717.16	K0717.161	16	M16	22	27	64	42	8	21	15	19	28	22	22	8°	6250	2350	975
K0717.20	K0717.201	20	M20x1,5	27,5	34	77	50	10	25	18	24,5	33	26	30	7°	7900	3450	825
K0717.22	K0717.221	22	M22x1,5	30	38	84	54	12	28	20	26	37	26	32	8°	9300	3980	725

Rod ends with plain bearing

external thread



Material:

Housing size (D) 5-12 turned steel.

From size (D) 16 forged steel.

Ball joint ball bearing steel, hardened, ground and polished.

Bearing shell steel with PTFE weave glued in.

Version:

galvanized.

Sample order:

K0718.20

Note:

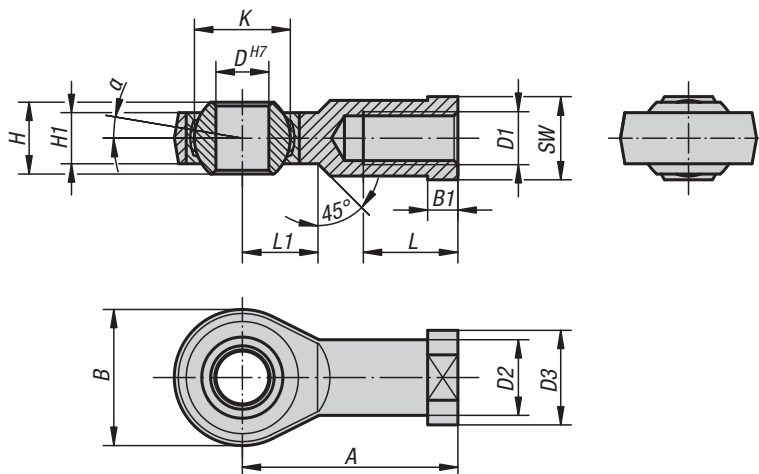
The rod end bearing is maintenance-free. The connection dimensions comply with DIN 648 series KA.

KIPP Rod ends with plain bearing, external thread

Order No. right-handed thread	Order No. left-handed thread	D	D1	A	B	H	H1	K	L	L1	α	Dynamic base loads kN	Static base loads kN
K0718.05	K0718.051	5	M5	33	18	8	6	11,11	20	9	13°	7,5	4,3
K0718.06	K0718.061	6	M6	36	20	9	6,75	12,7	22	12	13°	9,3	6
K0718.08	K0718.081	8	M8	42	24	12	9	15,87	25	15	13°	16,7	11
K0718.10	K0718.101	10	M10	48	28	14	10,5	19,05	29	15	13°	23,4	17,4
K0718.12	K0718.121	12	M12	54	32	16	12	22,22	33	19	13°	32	23,5
K0718.16	K0718.161	16	M16	66	42	21	15	28,57	40	22	15°	52,7	32
K0718.20	K0718.201	20	M20x1,5	78	50	25	18	34,92	47	28	15°	78,1	43,8
K0718.22	K0718.221	22	M22x1,5	84	54	28	20	38,1	51	26	15°	97,2	52,6

Rod ends with plain bearing

internal thread



Material:

Housing size (D) 5-12 turned steel.

From size (D) 16 forged steel.

Ball joint ball bearing steel, hardened, ground and polished.

Bearing shell steel with PTFE weave glued in.

Version:

galvanized.

Sample order:

K0719.22

Note:

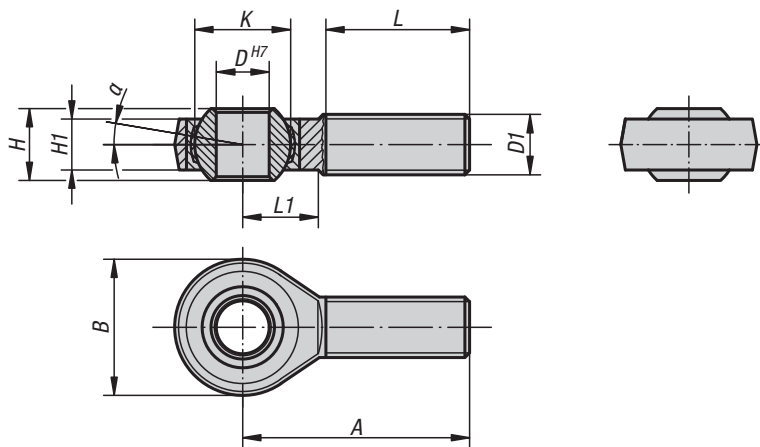
The rod end bearing is maintenance-free. The connection dimensions comply with DIN 648 series KJ.

KIPP Rod ends with plain bearing internal thread

Order No. right-handed thread	Order No. left-handed thread	D	D1	D2	D3	A	B	B1	H	H1	K	L	L1	SW	α	Dynamic base loads kN	Static base loads kN
K0719.05	K0719.051	5	M5	9	11	27	18	4	8	6	11,11	10	10	9	13°	7,5	8
K0719.06	K0719.061	6	M6	10	13	30	20	5	9	6,75	12,7	12	10	11	13°	9,3	8,9
K0719.08	K0719.081	8	M8	12,5	16	36	24	5	12	9	15,87	16	12	13	13°	16,7	14,1
K0719.10	K0719.101	10	M10	15	19	43	28	6,5	14	10,5	19,05	20	15	17	13°	23,4	19,3
K0719.10125	K0719.101251	10	M10x1,25	15	19	43	28	6,5	14	10,5	19,05	20	15	17	13°	23,4	19,3
K0719.12	K0719.121	12	M12	17,5	22	50	32	6,5	16	12	22,22	22	16	19	13°	32	23,5
K0719.12125	K0719.121251	12	M12x1,25	17,5	22	50	32	6,5	16	12	22,22	22	16	19	13°	32	23,5
K0719.16	K0719.161	16	M16	22	27	64	42	8	21	15	28,57	28	22	22	15°	52,7	32
K0719.1615	K0719.16151	16	M16x1,5	22	27	64	42	8	21	15	28,57	28	22	22	15°	52,7	32
K0719.20	K0719.201	20	M20x1,5	27,5	34	77	50	10	25	18	34,92	33	26	32	15°	78,1	43,8
K0719.22	K0719.221	22	M22x1,5	30	37	84	54	12	28	20	38,1	37	26	32	15°	97,2	52,6

Rod ends with plain bearing

external thread, stainless steel



Material:

Housing forged special steel 1.4057.
Ball joint 1.4034 hardened and ground.
Bearing shell stainless steel 1.4571.

Version:

Polished.

Sample order:

K0720.20

Note:

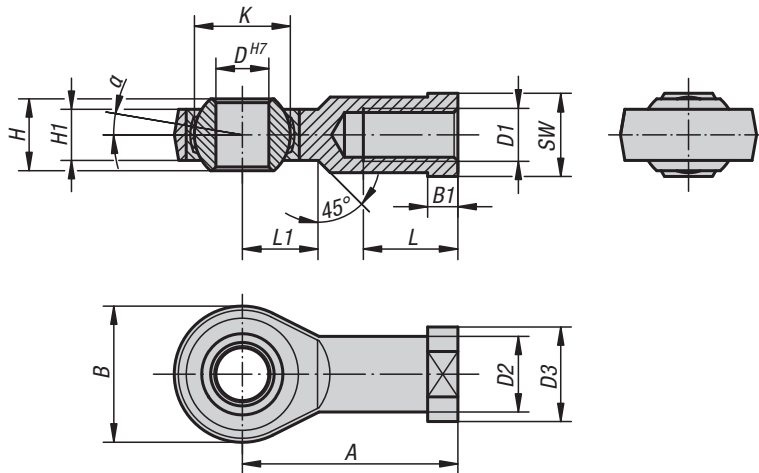
The rod end bearing is maintenance-free.
The connection dimensions comply with DIN 648 Form Series KA.

KIPP Rod ends with plain bearing external thread, stainless steel

Order No. right-handed thread	Order No. left-handed thread	D	D1	A	B	H	H1	K	L	L1	α	Dynamic base loads kN	Static base loads kN
K0720.05	K0720.051	5	M5	33	18	8	6	11,11	20	9	13°	7,5	6,2
K0720.06	K0720.061	6	M6	36	20	9	6,75	12,7	22	12	13°	9,3	8,8
K0720.08	K0720.081	8	M8	42	24	12	9	15,87	25	15	13°	16,7	16,1
K0720.10	K0720.101	10	M10	48	28	14	10,5	19,05	29	15	13°	23,4	25,5
K0720.12	K0720.121	12	M12	54	32	16	12	22,22	33	19	13°	32	34,5
K0720.16	K0720.161	16	M16	66	42	21	15	28,57	40	22	15°	52,7	60,6
K0720.20	K0720.201	20	M20x1,5	78	50	25	18	34,92	47	28	15°	78,1	83,1
K0720.22	K0720.221	22	M22x1,5	84	54	28	20	38,1	51	26	15°	97,2	99,7

Rod ends with plain bearing

internal thread, stainless steel



Material:

Housing forged stainless steel 1.4057.
Ball joint 1.4034 hardened and ground.
Bearing shell stainless steel 1.4571.

Version:

Polished.

Sample order:

K0721.22

Note:

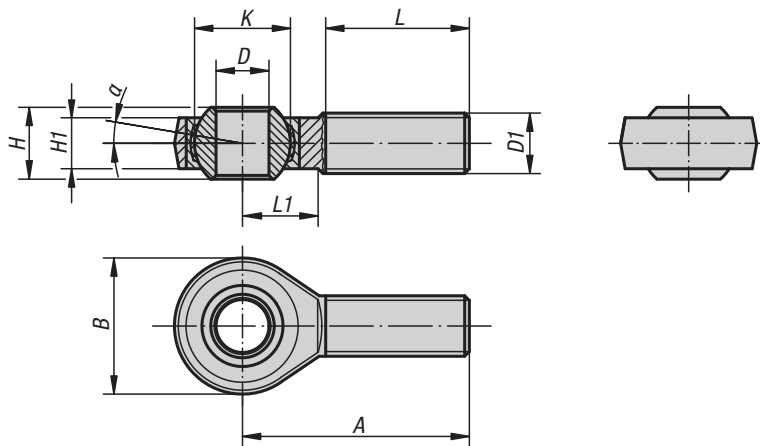
The rod end bearing is maintenance-free.
The connection dimensions comply with DIN 648 Form Series KJ.

KIPP Rod ends with plain bearing internal thread, stainless steel

Order No. right-handed thread	Order No. left-handed thread	D	D1	D2	D3	A	B	B1	H	H1	K	L	L1	SW	α	Dynamic base loads kN	Static base loads kN
K0721.05	K0721.051	5	M5	9	11	27	18	4	8	6	11,11	10	10	9	13°	7,5	11,8
K0721.06	K0721.061	6	M6	10	13	30	20	5	9	6,75	12,7	12	10	11	13°	9,3	13,1
K0721.08	K0721.081	8	M8	12,5	16	36	24	5	12	9	15,87	16	12	13	13°	16,7	20,7
K0721.10	K0721.101	10	M10	15	19	43	28	6,5	14	10,5	19,05	20	15	17	13°	23,4	28,3
K0721.10125	K0721.101251	10	M10x1,25	15	19	43	28	6,5	14	10,5	19,05	20	15	17	13°	23,4	28,3
K0721.12	K0721.121	12	M12	17,5	22	50	32	6,5	16	12	22,22	22	16	19	13°	32	34,5
K0721.12125	K0721.121251	12	M12x1,25	17,5	22	50	32	6,5	16	12	22,22	22	16	19	13°	32	34,5
K0721.16	K0721.161	16	M16	22	27	64	42	8	21	15	28,57	28	22	22	15°	52,7	60,6
K0721.1615	K0721.16151	16	M16x1,5	22	27	64	42	8	21	15	28,57	28	22	22	15°	52,7	60,6
K0721.20	K0721.201	20	M20x1,5	27,5	34	77	50	10	25	18	34,92	33	26	32	15°	78,1	83,1
K0721.22	K0721.221	22	M22x1,5	30	37	84	54	12	28	20	38,1	37	26	32	15°	97,2	99,7

Rod ends with plain bearing

external thread, narrow version



Material:

Housing size (D) 6-10 turned steel.

From size (D) 12 forged steel.

Ball joint ball bearing steel, hardened, ground, polished and hard chromed.

Bearing shell ball bearing steel with PTFE weave glued in.

Version:

galvanized.

Sample order:

K0722.20

Note:

The rod end bearing is maintenance-free.

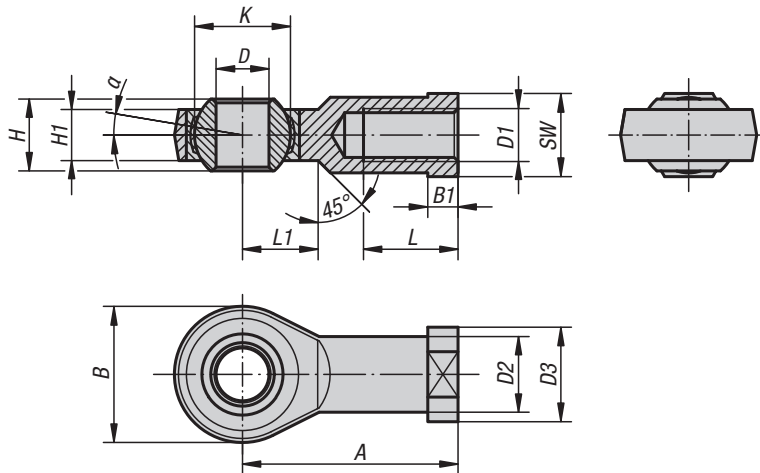
The connection dimensions comply with DIN 648 Form Series E.

KIPP Rod ends with plain bearing external thread, narrow version

Order No. right-handed thread	Order No. left-handed thread	D	D1	A	B	H	H1	K	L	L1	α	Dynamic base loads kN	Static base loads kN
K0722.06	K0722.061	6 -0,008	M6	36	20	6	4,4	10	18	11	12°	3,6	8,2
K0722.08	K0722.081	8 -0,008	M8	42	24	8	6	13	22	12	12°	5,8	12,9
K0722.10	K0722.101	10 -0,008	M10	48	28	9	7	16	26	15	12°	8,6	17,6
K0722.12	K0722.121	12 -0,008	M12	54	34	10	8	18	28	15	8°	11,4	24,5
K0722.16	K0722.161	17 -0,008	M16	69	46	14	11	25	36	23	8°	22	45
K0722.20	K0722.201	20 -0,010	M20x1,5	78	53	16	13	29	43	25	8°	31,5	60

Rod ends with plain bearing

internal thread, narrow version



Material:

Housing size (D) 6-10 turned steel.

From size (D) 12 forged steel.

Ball joint ball bearing steel, hardened, ground, polished and hard chromed.

Bearing shell ball bearing steel with PTFE weave glued in.

Version:

galvanized.

Sample order:

K0723.12

Note:

The rod end bearing is maintenance-free.

The connection dimensions comply with DIN 648 Form Series E.

KIPP Rod ends with plain bearing internal thread, narrow version

Order No. right-handed thread	Order No. left-handed thread	D	D1	D2	D3	A	B	B1	H	H1	K	L	L1	SW	α	Dynamic base loads kN	Static base loads kN
K0723.20	K0723.201	20 -0,010	M20x1,5	27,5	35	77	53	10	16	13	29	38	23	32	8°	31,5	60
K0723.06	K0723.061	6 -0,008	M6	10	13	30	20	5	6	4,4	10	12	11	11	12°	3,6	8,2
K0723.12125	K0723.121251	12 -0,008	M12x1,25	17,5	22	50	34	6,5	10	8	18	22	15	19	8°	11,4	24,5
K0723.16	K0723.161	17 -0,008	M16	24	30	67	46	10	14	11	25	33	20	27	8°	22	45
K0723.08	K0723.081	8 -0,008	M8	12,5	16	36	24	5	8	6	13	16	12	14	12°	5,8	12,9
K0723.10	K0723.101	10 -0,008	M10	15	19	43	28	6,5	9	7	16	20	13	17	12°	8,6	17,6
K0723.10125	K0723.101251	10 -0,008	M10x1,25	15	19	43	28	6,5	9	7	16	20	13	17	12°	8,6	17,6
K0723.12	K0723.121	12 -0,008	M12	17,5	22	50	34	6,5	10	8	18	22	15	19	8°	11,4	24,5

