

AC Input/Compact Size MU Series

<Additional Information>
 ● Technical reference → Page H-1
 ● Regulations & Standards → Page I-2



● For detailed information about regulations and standards, please see the Oriental Motor website.



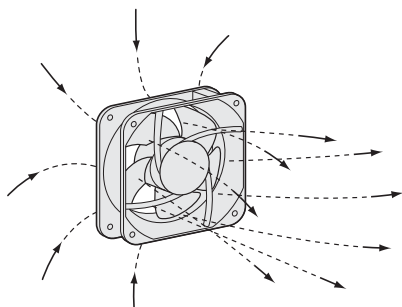
These compact AC axial flow fans are available in frame sizes ranging from □80 mm to □140 mm and conform to major safety standards.

Depending on the frame size, different speed types are available, from Low Speed, Middle Speed to Standard Speed.

Features

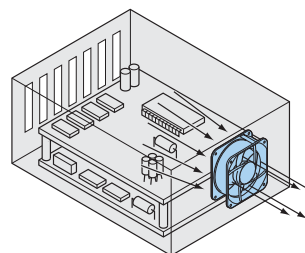
Axial Flow Fans

Axial flow fans use a propeller to generate airflow in the direction of the axis of rotation. Capable of generating a large air flow, axial flow fans are suited for applications requiring ventilation cooling.









Device Ventilation and Cooling

The large airflow of axial flow fans is suitable for ventilation and cooling inside electronic devices.




Product Line

A product line of six fan sizes are available, with frame sizes from □80 mm to □140 mm.

	MU825	MU925	MU1025	MU1225	MU1238	MU1428
Frame Size	□80 mm 25 mm thick	□92 mm 25 mm thick	□104 mm 25 mm thick	□119 mm 25 mm thick	□119 mm 38 mm thick	□140 mm 28 mm thick
						
Speed Type	Standard Speed	●	●	●	●	●
	Middle Speed		●		●	
	Low Speed				●	


System Configuration

MU Series



**AC Power Supply
(Main power supply)**

Not supplied


Accessories (Sold separately)




Finger Guards
→ Page G-100



Filters
→ Page G-103



Screens
→ Page G-106



Plug Cords
→ Page G-107

● Example of System Configuration

Fan	Sold Separately					
MU1238A-51B €22.00	+	<table border="1" style="width: 100%;"> <thead> <tr> <th style="background-color: #0070C0; color: white;">Finger Guard</th> <th style="background-color: #0070C0; color: white;">Plug Cord [1 m]</th> </tr> </thead> <tbody> <tr> <td style="text-align: center;">FG12D €5.00</td> <td style="text-align: center;">PCA2B €5.00</td> </tr> </tbody> </table>	Finger Guard	Plug Cord [1 m]	FG12D €5.00	PCA2B €5.00
Finger Guard	Plug Cord [1 m]					
FG12D €5.00	PCA2B €5.00					

● The system configuration shown above is an example. Other combinations are also available.

Product Number

● Fan Only

MU 12 38 A - 5 1 B

① ② ③ ④ ⑤ ⑥ ⑦

① Series	MU: MU Series
② Frame Size	8: 80 mm 9: 92 mm 10: 104 mm 12: 119 mm 14: 140 mm
③ Frame Thickness	25: 25 mm 28: 28 mm 38: 38 mm
④ Speed Type	A, S: Standard Speed M, B: Middle Speed L: Low Speed
⑤ Power Supply Voltage	5: Single-Phase 220/230 VAC
⑥ Power Connection	1: 2-Terminal 3: Lead Wire Type
⑦ Reference Number	

● Fan Kit

T - MU1238A-51 - GP

① ② ③

① Fan Kit Order Code	
② Fan Product Name	
③	G: With finger guard and installation screws GP: With finger guard, plug cord and installation screws

Overview,
Product
Series

Axial
Flow
Fans

AC Input
Energy Saving
EMU

AC Input
Energy Saving,
Variable Flow
EMR

AC Input
Compact Size
MU

AC Input
Long-Life
MRE

DC Input
MDS
MD

DC Input
Alarm
MDA

DC Input
Long-Life
MDE

Centrifugal
Blowers

AC Input
MB
DC Input
MBD

Cross Flow Fans

AC Input
MF
DC Input
MGD

Accessories

Installation

MU Series

80 mm – 25 mm Thick



Operating Voltage Range: ±10% (Applies to each voltage)
Overheat Protection: Impedance Protected
Color
Frame: Unpainted (Aluminum) Blades: Black
Materials
Frame: Die Cast Aluminum
Blades: Polycarbonate (Flammability grade V-0)

80 mm

92 mm

104 mm

119 mm

140 mm

160 mm

180 mm

200 mm

Specifications



Speed Type	Product Name	Voltage VAC	Frequency Hz	Current A	Input W	Speed r/min	Max. Air Flow m ³ /min	Max. Static Pressure Pa	Noise Level dB (A)
Standard Speed	MU8255-53	Single-Phase 220	50	0.06	8.5	2750	0.45	34	28
		Single-Phase 230	50	0.07	10.5	2750	0.45	34	28
		Single-Phase 230	60	0.06	8.0	3250	0.55	49	35

Details of regulations and standards → Page I-2

Product Line

For the single-phase 100/115 VAC, the single-phase 200 VAC models, please contact the nearest Oriental Motor sales office.

Fan Only

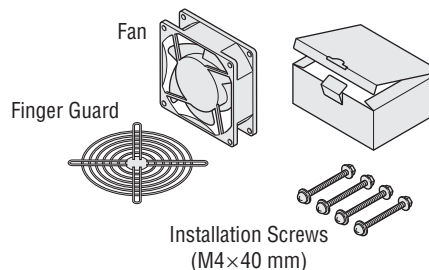
Product Name	List Price
MU8255-53	€22.00

The following items are included with each product.
Fan, Operating Manual

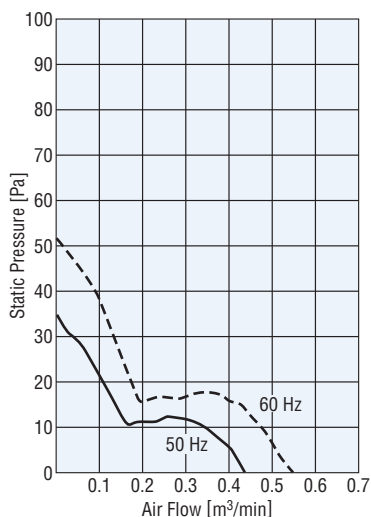
Fan Kit

Product Name	List Price
T-MU8255-53-G	€25.00

The following items are included in each kit.

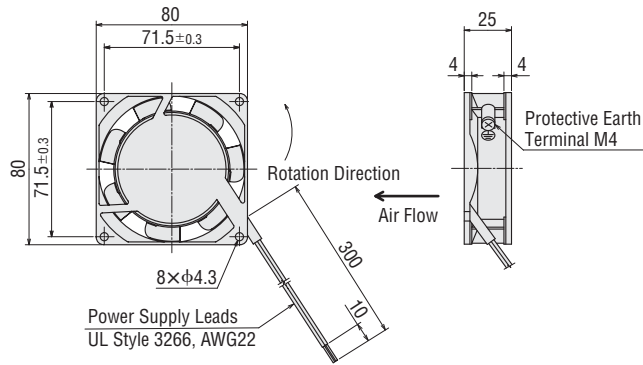
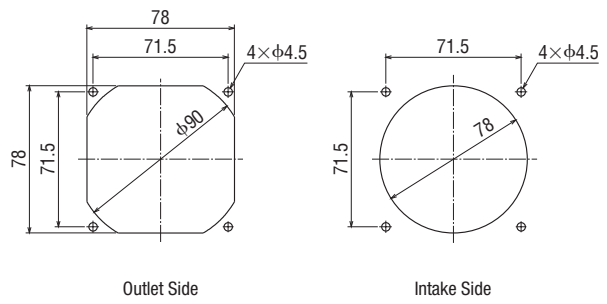
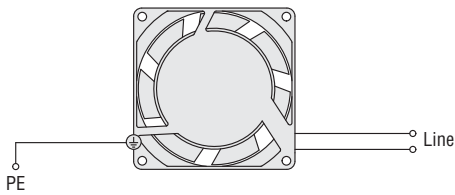


Air Flow – Static Pressure Characteristics (The characteristics are applicable for the fan only.)



Dimensions Unit: mm

Mass: 0.25 kg

**Panel Cut-Out** Unit: mm**Connection Diagram****Accessories**

Product	Product Name	List Price	Page
Finger Guard	FG8D	€4.00	G-100
Stainless Steel Finger Guard	FG8S	€5.00	G-102
Filter	FL8	€8.00	G-103
Screen	FS8S	€7.00	G-106

Overview,
Product
SeriesAxial
Flow
FansAC Input
Energy Saving
EMUAC Input
Energy Saving,
Variable Flow
EMRAC Input
Compact Size
MUAC Input
Long-Life
MREDC Input
MDS
MDDC Input
Alarm
MDADC Input
Long-Life
MDECentrifugal
BlowersAC Input
MB
DC Input
MBD

Cross Flow Fans

AC Input
MF
DC Input
MFD

Accessories

Installation

MU Series

92 mm – 25 mm Thick



Operating Voltage Range: ±10% (Applies to each voltage)
Overheat Protection: Impedance Protected
Color
Frame: Unpainted (Aluminum) Blades: Black
Materials
Frame: Die Cast Aluminum
Blades: Polycarbonate (Flammability grade V-0)

80 mm

92 mm

104 mm

119 mm

140 mm

160 mm

180 mm

200 mm

Specifications



Speed Type	Product Name	Voltage VAC	Frequency Hz	Current A	Input W	Speed r/min	Max. Air Flow m ³ /min	Max. Static Pressure Pa	Noise Level dB (A)
Standard Speed	MU925S-51	Single-Phase 220	50	0.06	8.5	2600	0.95	44	35
		Single-Phase 230	50	0.07	10.5	2600	0.95	44	35
		Single-Phase 230	60	0.06	8.0	3000	1.10	59	39
Middle Speed	MU925M-51	Single-Phase 220	50	0.06	8.5	2300	0.85	34	31
		Single-Phase 230	50	0.06	9.5	2300	0.85	34	32
		Single-Phase 230	60	0.06	8.0	2700	1.00	44	36

●Details of regulations and standards → Page I-2

Product Line

For the single-phase 100/115 VAC, the single-phase 200 VAC models, please contact the nearest Oriental Motor sales office.

Fan Only

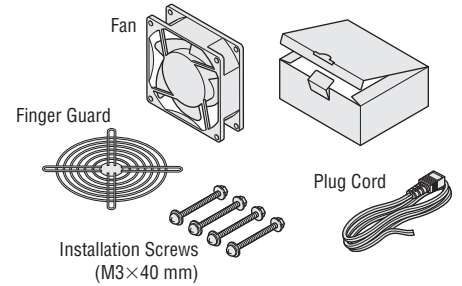
Product Name	List Price
MU925S-51	€22.00
MU925M-51	€22.00

Fan Kit

Product Name	List Price
T-MU925S-51-GP	€29.00
T-MU925M-51-GP	€29.00

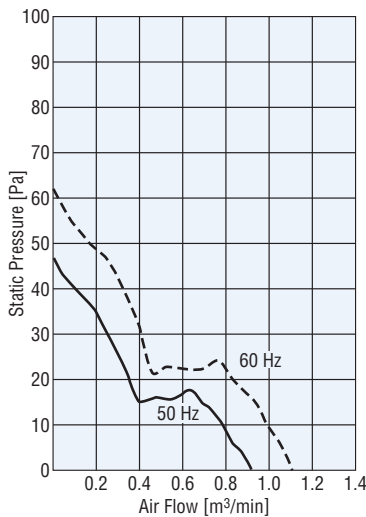
The following items are included with each product.
Fan, Operating Manual

The following items are included in each kit.

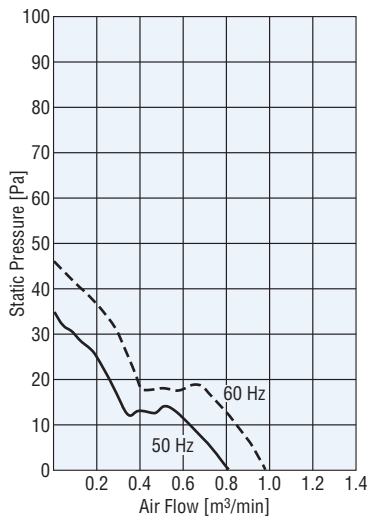


Air Flow – Static Pressure Characteristics (The characteristics are applicable for the fan only.)

MU925S

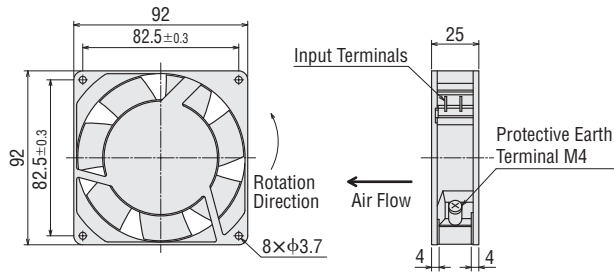


MU925M

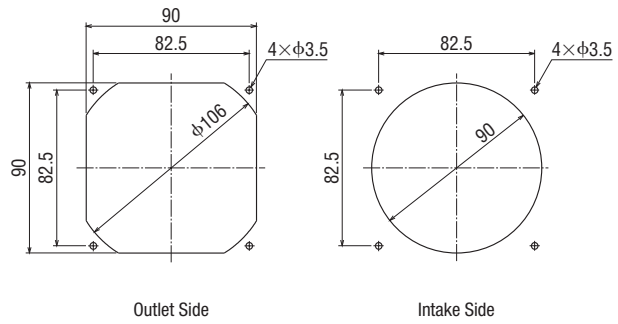


■ Dimensions Unit: mm

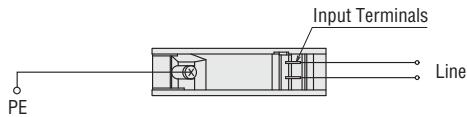
Mass: 0.27 kg



■ Panel Cut-Out Unit: mm



■ Connection Diagram



■ Accessories

Product	Product Name	List Price	Page
Finger Guard	FG9D	€4.00	G-100
Stainless Steel Finger Guard	FG9S	€5.00	G-102
Filter	FL9	€8.00	G-103
Screen	FS9S	€7.00	G-106
Plug Cord	PCA2B (1 m)	€5.00	G-107
	PCA2B2 (2 m)	€7.00	

Overview,
Product
Series

Axial
Flow
Fans

AC Input
Energy Saving
EMU

AC Input
Energy Saving,
Variable Flow
EMR

AC Input
Compact Size
MU

AC Input
Long-Life
MRE

DC Input
MDS
MD

DC Input
Alarm
MDA

DC Input
Long-Life
MDE

Centrifugal
Blowers

AC Input
MB
DC Input
MBD

Cross Flow Fans

AC Input
MF
DC Input
MFD

Accessories

Installation

MU Series

104 mm – 25 mm Thick



Operating Voltage Range: ±10%
Overheat Protection: Impedance Protected
Color
Frame: Unpainted (Aluminum) Blades: Black
Materials
Frame: Die Cast Aluminum
Blades: Polycarbonate (Flammability grade V-0)

80 mm

92 mm

104 mm

119 mm

140 mm

160 mm

180 mm

200 mm

Specifications



Speed Type	Product Name	Voltage VAC	Frequency Hz	Current A	Input W	Speed r/min	Max. Air Flow m ³ /min	Max. Static Pressure Pa	Noise Level dB (A)
Standard Speed	MU1025S-51	Single-Phase 230	50	0.06	11.0	2500	1.2	39	35
			60	0.05	9.5	2900	1.4	44	39

●Details of regulations and standards → Page I-2

Product Line

For the single-phase 100 VAC, the single-phase 200 VAC models, please contact the nearest Oriental Motor sales office.

● Fan Only

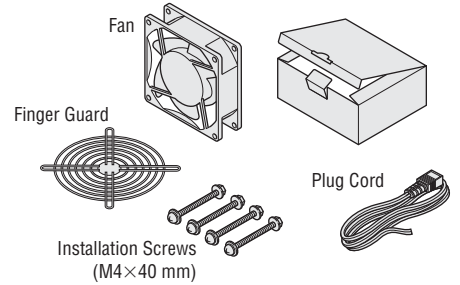
Product Name	List Price
MU1025S-51	€22.00

● Fan Kit

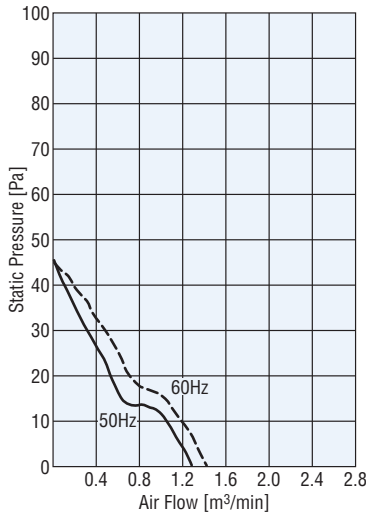
Product Name	List Price
T-MU1025S-51-GP	€30.00

The following items are included with each product.
Fan, Operating Manual

The following items are included in each kit.

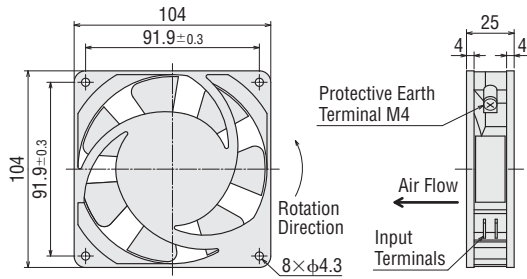


Air Flow – Static Pressure Characteristics (The characteristics are applicable for the fan only.)

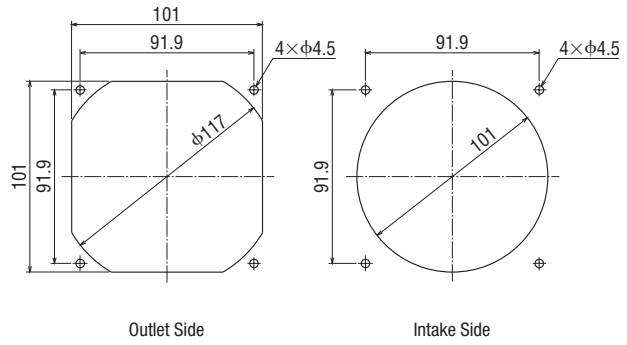


■ Dimensions Unit: mm

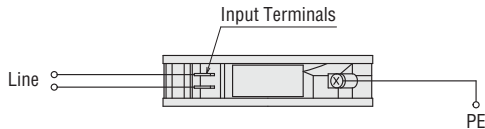
Mass: 0.30 kg



■ Panel Cut-Out Unit: mm



■ Connection Diagram



■ Accessories

Product	Product Name	List Price	Page
Finger Guard	FG10D	€4.00	G-100
Stainless Steel Finger Guard	FG10S	€5.00	G-102
Filter	FL10	€8.00	G-103
Metallic Filter	FLW10	€14.00	G-105
Plug Cord	PCA2B (1 m)	€5.00	G-107
	PCA2B2 (2 m)	€7.00	

Overview,
Product
Series

Axial
Flow
Fans

AC Input
Energy Saving
EMU

AC Input
Energy Saving,
Variable Flow
EMR

AC Input
Compact Size
MU

AC Input
Long-Life
MRE

DC Input
MDS
MD

DC Input
Alarm
MDA

DC Input
Long-Life
MDE

Centrifugal
Blowers

AC Input
MB
DC Input
MBD

Cross Flow Fans

AC Input
MF
DC Input
MFD

Accessories

Installation

MU Series

119 mm – 25 mm Thick



Operating Voltage Range: $\pm 10\%$ (Applies to each voltage)
 Overheat Protection: Impedance Protected
 Color
 Frame: Unpainted (Aluminum) Blades: Black
 Materials
 Frame: Die Cast Aluminum
 Blades: Polycarbonate (Flammability grade V-0)

80 mm

92 mm

104 mm

119 mm

140 mm

160 mm

180 mm

200 mm

Specifications



Speed Type	Product Name	Voltage VAC	Frequency Hz	Current A	Input W	Speed r/min	Max. Air Flow m ³ /min	Max. Static Pressure Pa	Noise Level dB (A)
Standard Speed	MU1225S-51	Single-Phase 220	50	0.07	10.5	2500	1.6	49	36
		Single-Phase 230	50	0.08	12.0	2500	1.6	49	36
		Single-Phase 230	60	0.07	10.0	2950	1.9	44	40
Middle Speed	MU1225M-51	Single-Phase 220	50	0.07	10.0	2250	1.4	32	33
		Single-Phase 230	50	0.07	12.0	2250	1.4	32	33
		Single-Phase 230	60	0.07	9.5	2600	1.7	31	37

●Details of regulations and standards → Page I-2

Product Line

For the single-phase 100/115 VAC, the single-phase 200 VAC models, please contact the nearest Oriental Motor sales office.

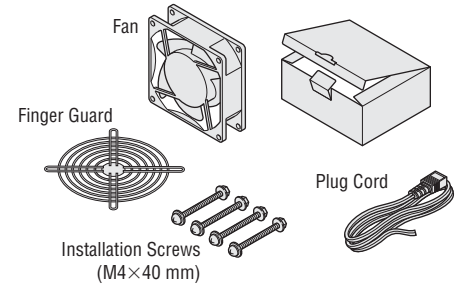
● Fan Only

Product Name	List Price
MU1225S-51	€22.00
MU1225M-51	€22.00

● Fan Kit

Product Name	List Price
T-MU1225S-51-GP	€30.00
T-MU1225M-51-GP	€30.00

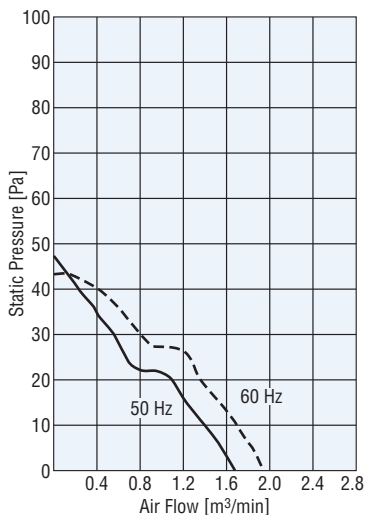
The following items are included in each kit.



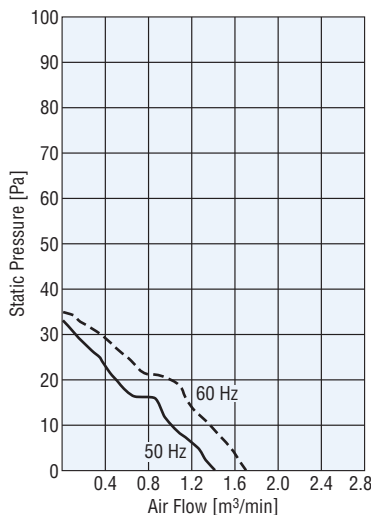
The following items are included with each product.
 Fan, Operating Manual

Air Flow – Static Pressure Characteristics (The characteristics are applicable for the fan only.)

● MU1225S

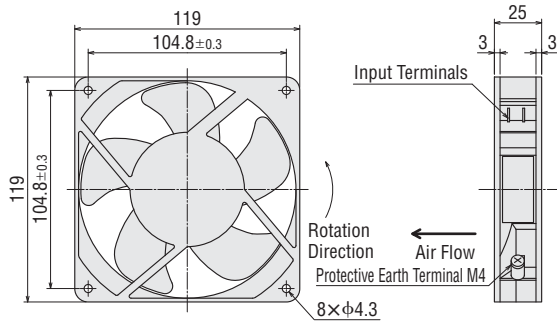


● MU1225M

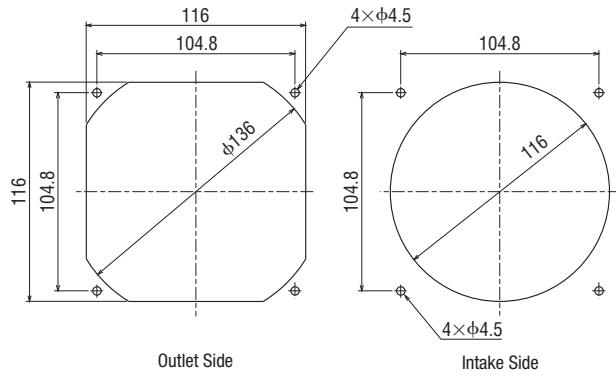


Dimensions Unit: mm

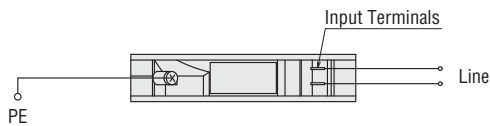
Mass: 0.31 kg



Panel Cut-Out Unit: mm



Connection Diagram



Accessories

Product	Product Name	List Price	Page
Finger Guard	FG12D	€5.00	G-100
Stainless Steel Finger Guard	FG12S	€6.00	G-102
Filter	FL12	€8.00	G-104
Metallic Filter	FLW12	€14.00	G-105
Screen	FS12S	€7.00	G-106
Plug Cord	PCA2B (1 m)	€5.00	G-107
	PCA2B2 (2 m)	€7.00	

Overview,
Product
Series

Axial
Flow
Fans

AC Input
Energy Saving,
Variable Flow
EMU

AC Input
Energy Saving,
Variable Flow
EMR

AC Input
Compact Size
MU

AC Input
Long-Life
MRE

DC Input
MDS
MD

DC Input
Alarm
MDA

DC Input
Long-Life
MDE

Centrifugal
Blowers

AC Input
MB
DC Input
MBD

Cross Flow Fans

AC Input
MF
DC Input
MFD

Accessories

Installation

MU Series

119 mm – 38 mm Thick



Operating Voltage Range: ±10% (Applies to each voltage)
Overheat Protection: Impedance Protected
Color
Frame: Unpainted (Aluminum) Blades: Black
Materials
Frame: Die Cast Aluminum
Blades: Polycarbonate (Flammability grade V-0)

80 mm

92 mm

104 mm

119 mm

140 mm

160 mm

180 mm

200 mm

Specifications



Speed Type	Product Name	Voltage VAC	Frequency Hz	Current A	Input W	Speed r/min	Max. Air Flow m ³ /min	Max. Static Pressure Pa	Noise Level dB (A)
Standard Speed	MU1238A-51B	Single-Phase 220	50	0.10	13.5	2800	2.7	81	43
		Single-Phase 230	50	0.11	16.0	2800	2.7	81	43
		Single-Phase 230	60	0.10	13.5	3250	3.0	81	46
Middle Speed	MU1238B-51B	Single-Phase 220	50	0.09	11.5	2500	2.2	52	38
		Single-Phase 230	50	0.09	14.0	2500	2.3	59	39
		Single-Phase 230	60	0.09	11.5	2800	2.5	52	40
Low Speed	MU1238L-51B	Single-Phase 220	50	0.06	7.5	2100	1.85	34	33
		Single-Phase 230	50	0.06	9.5	2100	1.9	34	34
		Single-Phase 230	60	0.06	7.5	2200	1.9	29	33

● Details of regulations and standards → Page I-2

Product Line

For the single-phase 100/115 VAC, the single-phase 200 VAC models, please contact the nearest Oriental Motor sales office.

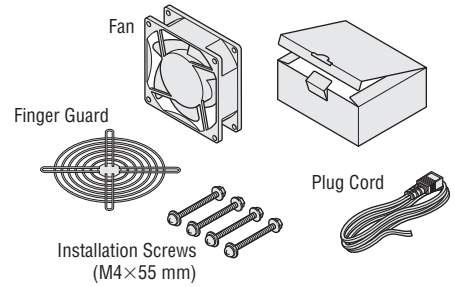
Fan Only

Product Name	List Price
MU1238A-51B	€22.00
MU1238B-51B	€22.00
MU1238L-51B	€22.00

Fan Kit

Product Name	List Price
T-MU1238A-51-GP	€30.00
T-MU1238B-51-GP	€30.00
T-MU1238L-51-GP	€30.00

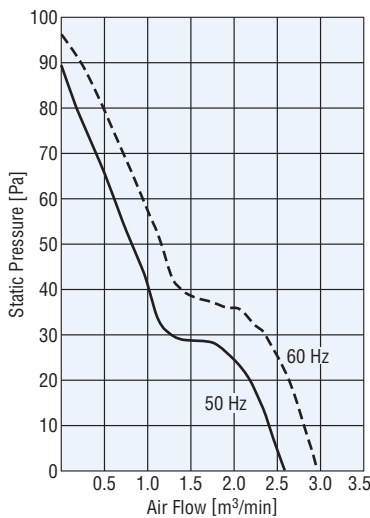
The following items are included in each kit.



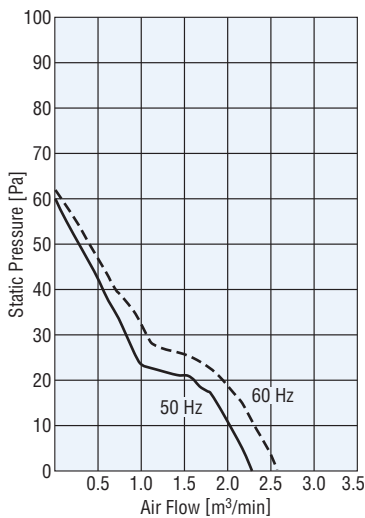
The following items are included with each product.
Fan, Operating Manual

Air Flow – Static Pressure Characteristics (The characteristics are applicable for the fan only.)

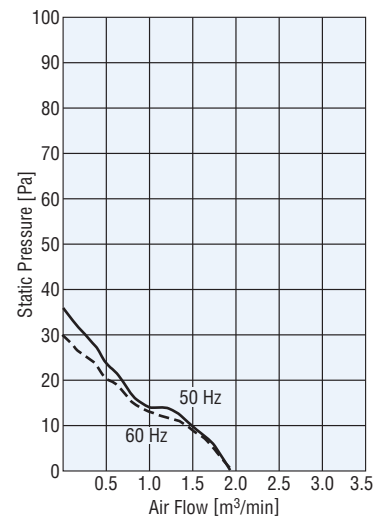
MU1238A



MU1238B

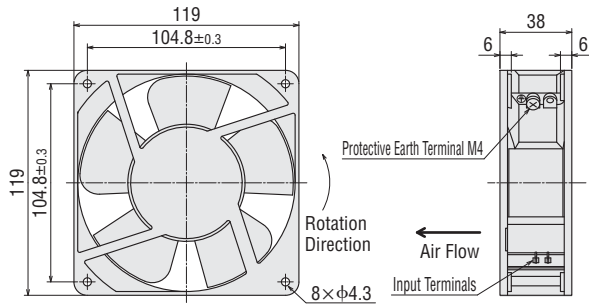


MU1238L

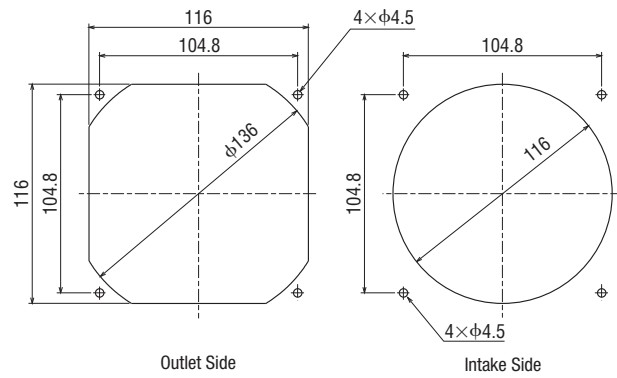


Dimensions Unit: mm

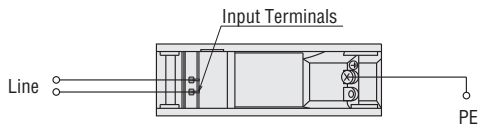
Mass: 0.53 kg



Panel Cut-Out Unit: mm



Connection Diagram



Accessories

Product	Product Name	List Price	Page
Finger Guard	FG12D	€5.00	G-100
Stainless Steel Finger Guard	FG12S	€6.00	G-102
Filter	FL12	€8.00	G-104
Metallic Filter	FLW12	€14.00	G-105
Screen	FS12S	€7.00	G-106
Plug Cord	PCA2B (1 m)	€5.00	G-107
	PCA2B2 (2 m)	€7.00	

Overview,
Product
Series

Axial
Flow
Fans

AC Input
Energy Saving,
Variable Flow
EMU

AC Input
Energy Saving,
Variable Flow
EMR

AC Input
Compact Size
MU

AC Input
Long-Life
MRE

DC Input
MDS
MD

DC Input
Alarm
MDA

DC Input
Long-Life
MDE

Centrifugal
Blowers

AC Input
MB
DC Input
MBD

Cross Flow Fans

AC Input
MF
DC Input
MGD

Accessories

Installation

MU Series

140 mm – 28 mm Thick



Operating Voltage Range: $\pm 10\%$ (Applies to each voltage)
 Overheat Protection: Impedance Protected
 Color
 Frame: Unpainted (Aluminum) Blades: Black
 Materials
 Frame: Die Cast Aluminum
 Blades: Polycarbonate (Flammability grade V-0)

80 mm

92 mm

Specifications



104 mm

Speed Type	Product Name	Voltage VAC	Frequency Hz	Current A	Input W	Speed r/min	Max. Air Flow m ³ /min	Max. Static Pressure Pa	Noise Level dB (A)
Standard Speed	MU1428S-51	Single-Phase 220	50	0.07	12.0	2400	2.4	43	44
		Single-Phase 230	50	0.08	13.5	2500	2.5	45	45
		Single-Phase 230	60	0.07	12.0	2700	2.7	34	46

● Details of regulations and standards → Page I-2

140 mm

Product Line

For the single-phase 100 VAC, the single-phase 200 VAC models, please contact the nearest Oriental Motor sales office.

160 mm

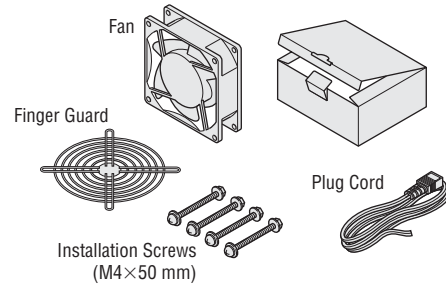
● Fan Only

Product Name	List Price
MU1428S-51	€26.00

● Fan Kit

Product Name	List Price
T-MU1428S-51-GP	€34.00

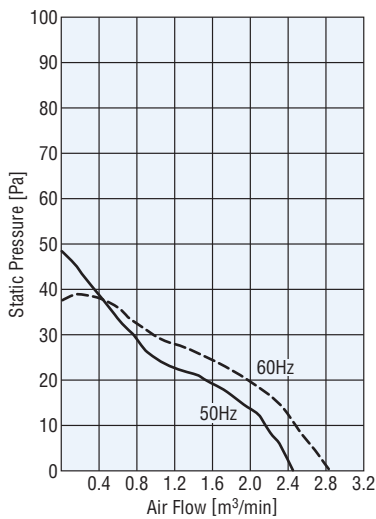
The following items are included in each kit.



180 mm

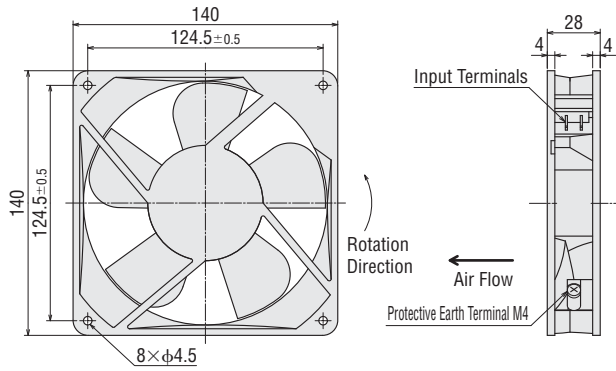
200 mm

Air Flow – Static Pressure Characteristics (The characteristics are applicable for the fan only.)

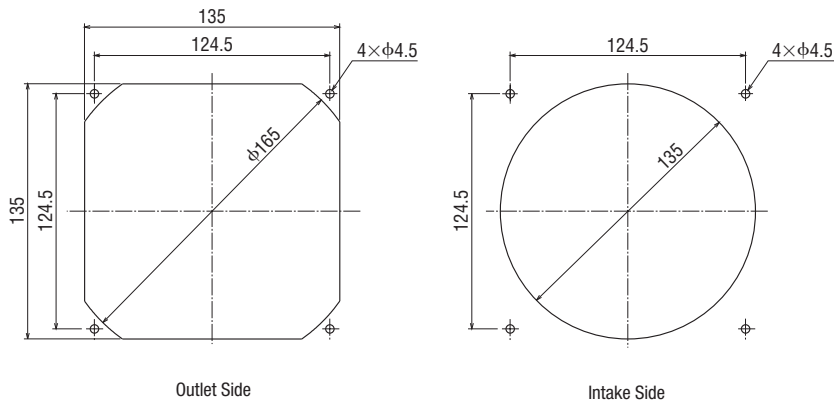


Dimensions Unit: mm

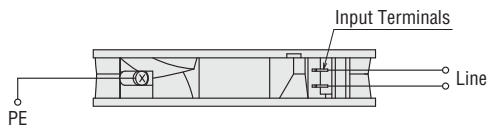
Mass: 0.4 kg



Panel Cut-Out Unit: mm



Connection Diagram



Accessories

Product	Product Name	List Price	Page
Finger Guard	FG14D	€5.00	G-100
Stainless Steel Finger Guard	FG14S	€6.00	G-102
Filter	FL14	€14.00	G-104
Metallic Filter	FLW14	€17.00	G-105
Plug Cord	PCA2B (1 m)	€5.00	G-107
	PCA2B2 (2 m)	€7.00	

Overview,
Product
Series

Axial
Flow
Fans

AC Input
Energy Saving
EMU

AC Input
Energy Saving,
Variable Flow
EMR

AC Input
Compact Size
MU

AC Input
Long-Life
MRE

DC Input
MDS
MD

DC Input
Alarm
MDA

DC Input
Long-Life
MDE

Centrifugal
Blowers

AC Input
MB
DC Input
MBD

Cross Flow Fans

AC Input
MF
DC Input
MFD

Accessories

Installation