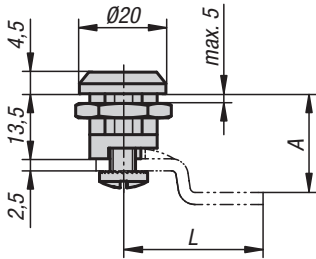


Quarter-turn locks, compression latches

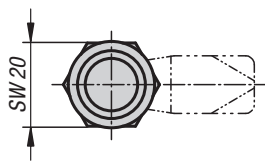
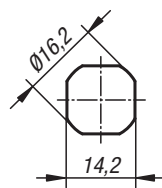


Quarter-turn locks

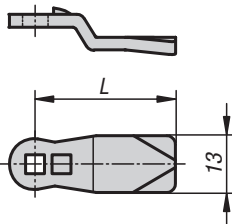
small version



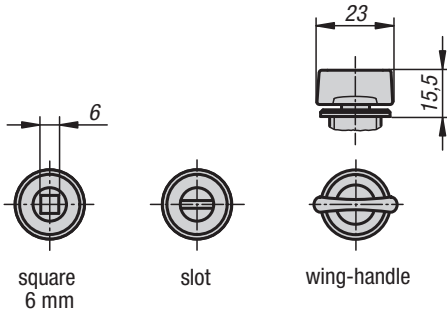
Mounting cutout



Tongue



Actuation



Material:

Housing and actuator die-cast zinc.
Tongue steel.

Version:

Housing and actuator chrome-plated.
Wing-handle version powder-coated.
Tongue galvanized.

Sample order:

Quarter turn lock K0518.16131
Tongue K0519.125X075

Note:

Small quarter turn lock with spring-loaded tongue.
Right or left deployment. The lock can be installed pre-assembled. The fastening nut is an earthing nut with teeth one side.

Please order the desired tongue type separately. Every tongue can be combined with every housing.

Accessories:

Key K0535



KIPP Quarter-turn locks small version

Order No.	Actuation
K0518.16131	square 6 mm
K0518.20131	slot
K0518.30132	wing-handle

KIPP Tongue for quarter-turn locks

Order No.	A	L
K0519.125X075	7,5	25
K0519.125X135	13,5	25
K0519.125X195	19,5	25

Quarter-turn locks

with cylinder, small version



Material:

Housing and actuator die-cast zinc.
Tongue steel.
Key nickel silver.

Version:

Housing and actuator chrome-plated.
Tongue galvanized.

Sample order:

Quarter turn lock with cylinder K0520.131
Tongue K0521.128X105

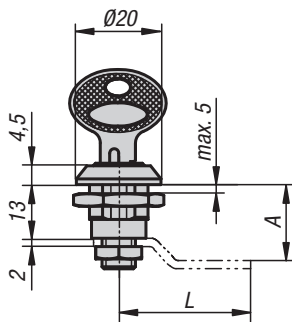
Note:

Small quarter turn with cylinder, deployable right or left. The lock can be installed pre-assembled. The fastening nut is an earthing nut with teeth one side. These quarter turns with cylinder are supplied with 2 keys. The key can be removed in both positions (open and closed). All cylinders are identical i.e. all locks can be opened with the same key.

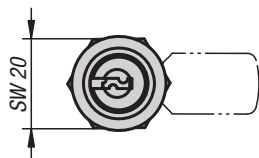
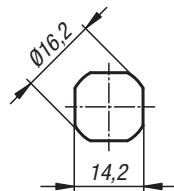
Please order the desired tongue type separately.

On request:

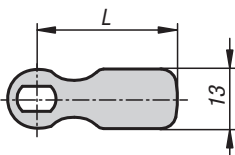
Non-identical cylinders.



Mounting cutout



Tongue



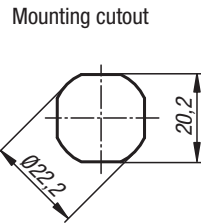
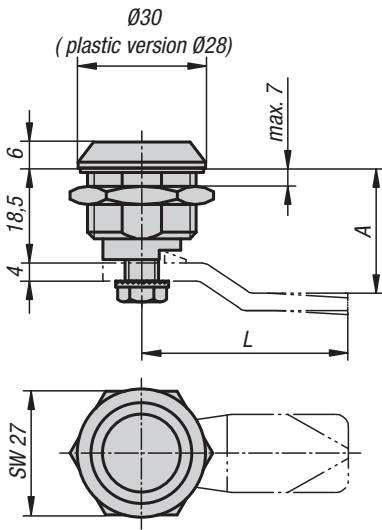
KIPP Quarter-turn locks with cylinder, small version

Order No.	Actuation
K0520.131	Key

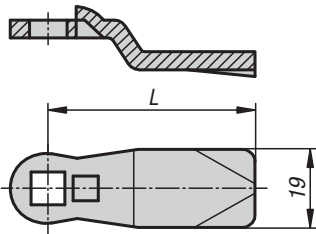
KIPP Tongue for quarter-turn locks

Order No.	A	L
K0521.128X105	10	28
K0521.124X135	13	24
K0521.131X135	13	31
K0521.136X135	13	36
K0521.130X165	16	30
K0521.126X205	20	26

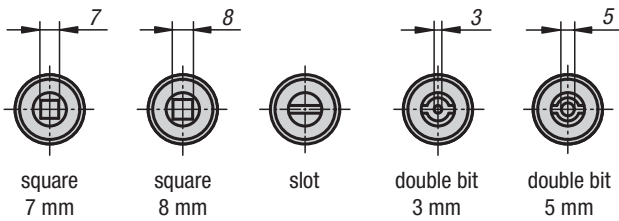
Quarter-turn locks



Tongue



Actuation



KIPP Quarter-turn lock

Order No. die cast zinc	Order No. plastic	Actuation
K0522.17181	-	square 7 mm
K0522.18181	-	square 8 mm
K0522.20181	K0522.20185	slot
K0522.43181	K0522.43185	double bit 3 mm
K0522.45181	K0522.45185	double bit 5 mm

KIPP Tongue for quarter-turn lock

Order No.	A	L
K0523.145X	4,5/6,5/8,5/10,5/12,5/14,5/16,5/18,5/20,5/21,5/22,5/24,5/26,5/28,5/30,5/32,5/34,5/36,5/38,5/40,5/42,5	45
K0523.135X	16,5/18,5/20,5/22,5/24,5	35

Material:
Housing, actuator and nut, die-cast zinc or PA6 GFR 30 plastic.
Flat seal rubber.
Tongue steel.

Version:
Housing, actuator and nut chrome-plated or black.
Tongue galvanized.

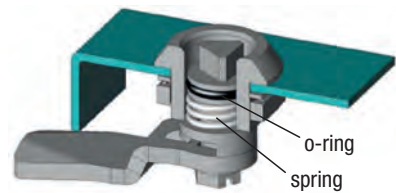
Sample order:
Quarter-turn lock K0522.17181
Tongue K0523.145X045
(include tongue gap „A“)

Note:
Quarter-turn lock with spring-loaded tongue. Right or left deployment. The lock can be installed pre-assembled. The fastening nut is an earthing nut with teeth one side.

Vibration-proof (except plastic version), a catch prevents independent opening. Water and dust tight according to IP65.

Please order the desired tongue type separately. Every tongue can be combined with every housing.

Accessories:
Key K0535



Quarter-turn security locks



Material:

Housing, actuator, nut and key die-cast zinc.
Flat seal rubber.
Tongue steel.

Version:

Housing and actuator chrome-plated or black powder-coated.
Tongue galvanized.
Key chrome-plated.

Sample order:

Security quarter turn lock K0524.181
Tongue K0523.145X045 (include tongue gap „A“)
Key K0524.9

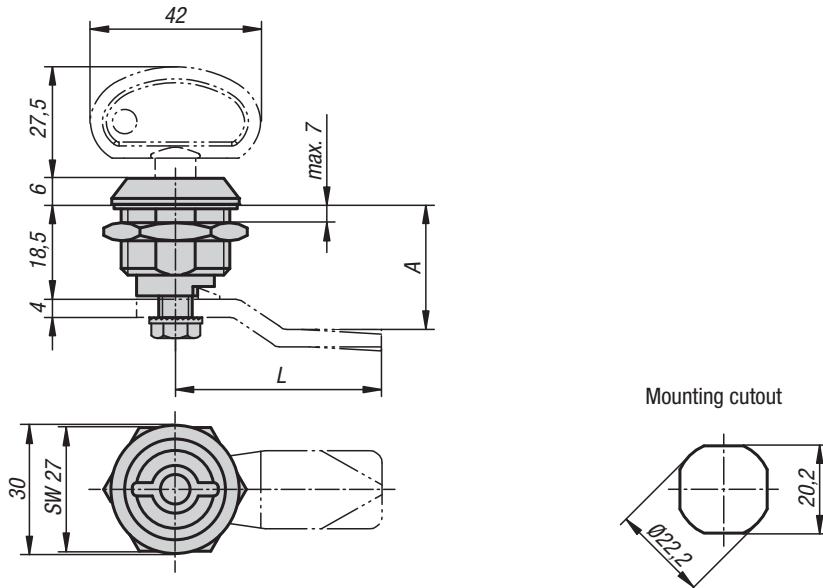
Note:

Security quarter turn lock with spring-loaded tongue. Right or left deployment. The lock can be installed pre-assembled. The fastening nut is an earthing nut with teeth one side.

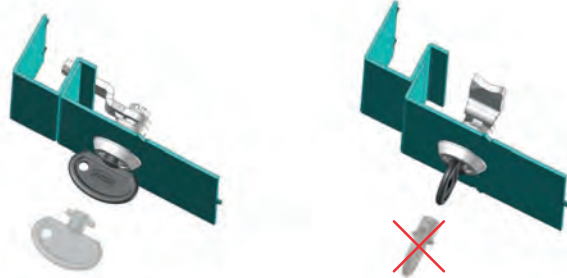
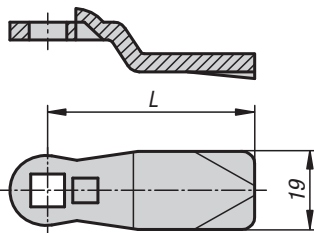
Water and dust tight according to IP65.

Please order key separately. Lock can only be opened and closed with a specific key. The key can only be removed in the closed position. With an open lock the key acts as a grip.

Please order the desired tongue type separately. Every tongue can be combined with every housing.



Tongue



Key can be pulled out when locked

Key **cannot** be pulled out when unlocked

KIPP Quarter-turn lock security

Order No. chromium-plated	Order No. black powder-coated	Actuation	Order No Key
K0524.181	K0524.182	key	K0524.9

KIPP Tongue for quarter-turn lock

Order No.	A	L
K0523.145X	4,5/6,5/8,5/10,5/12,5/14,5/16,5/18,5/20,5/21,5/22,5/24,5/26,5/28,5/30,5/32,5/34,5/36,5/38,5/40,5/42,5	45
K0523.135X	16,5/18,5/20,5/22,5/24,5	35

Quarter-turn locks

with wing grip



Material:

Housing and nut die-cast zinc.
Grip plastic PA6 GF 30.
Flat seal rubber.
Tongue steel.

Version:

Housing and nut chrome-plated.
Grip black.
Tongue galvanized.

Sample order:

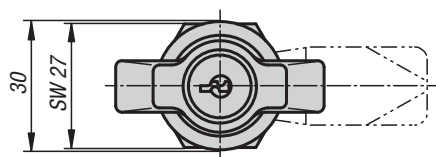
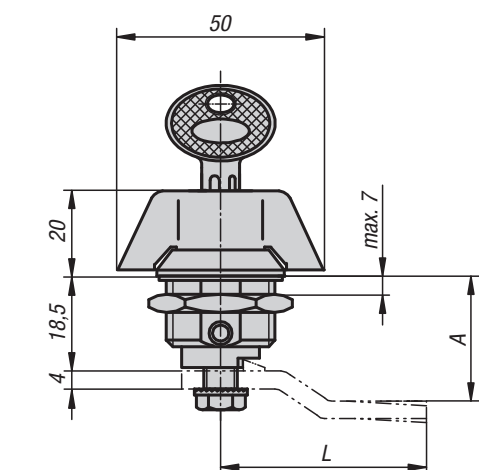
Quarter-turn lock K0525.1183
Tongue K0523.145X045 (include tongue gap „A“)

Note:

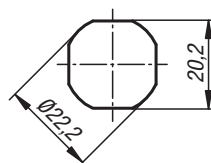
Quarter-turn lock with wing grip. Right or left deployment. The lock can be installed pre-assembled. The fastening nut is an earthing nut with teeth one side.

Water and dust tight according to IP65.

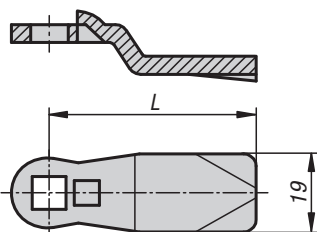
The cylinder locks are supplied with 2 keys. The key can be removed in both positions (open and closed). All cylinders are identical i.e. all locks can be opened with the same key (Euro key 5333). Please order the desired tongue type separately. Every tongue can be combined with every housing.



Mounting cutout



Tongue



KIPP Quarter-turn lock with wing grip

Order No.	Actuation
K0525.1183	wing grip
K0525.2183	with cylinder

KIPP Tongue for quarter-turn lock

Order No.	A	L
K0523.145X	4,5/6,5/8,5/10,5/12,5/14,5/16,5/18,5/20,5/21,5/22,5/24,5/26,5/28,5/30,5/32,5/34,5/36,5/38,5/40,5/42,5	45
K0523.135X	16,5/18,5/20,5/22,5/24,5	35

Quarter-turn locks

with T-grip



Material:

Housing and nut die-cast zinc.
T-grip plastic PA6 GF 30.
Flat seal rubber.
Tongue steel.

Version:

Housing and nut chrome-plated.
T-grip black.
Tongue galvanized.

Sample order:

Quarter-turn lock K0526.1183
Tongue K0523.145X045
(include tongue gap „A“)

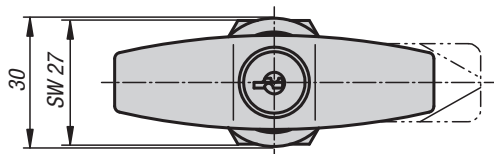
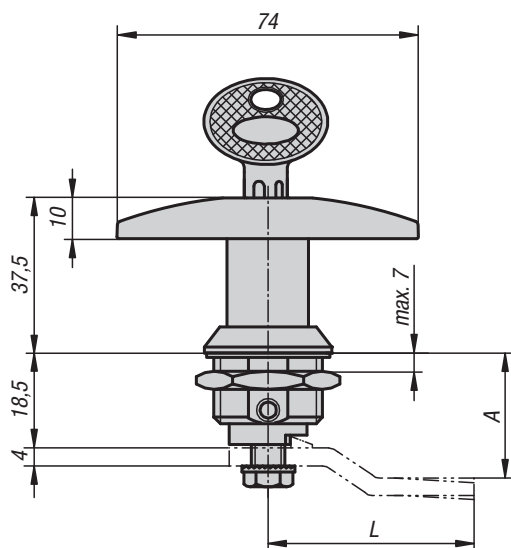
Note:

Quarter-turn lock with T-grip. Right or left deployment.
The lock can be installed pre-assembled. The fastening nut is an earthing nut with teeth one side.

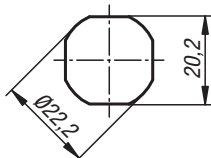
Water and dust tight according to IP65.

The cylinder locks are supplied with 2 keys. The key can be removed in both positions (open and closed). All cylinders are identical i.e. all locks can be opened with the same key (Euro key 5333).

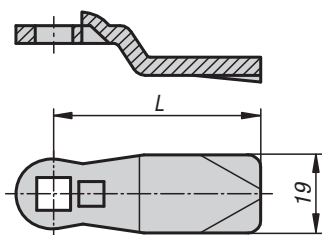
Please order the desired tongue type separately. Every tongue can be combined with every housing.



Mounting cutout



Tongue



KIPP Quarter-turn lock with T-grip

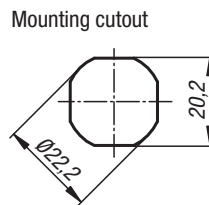
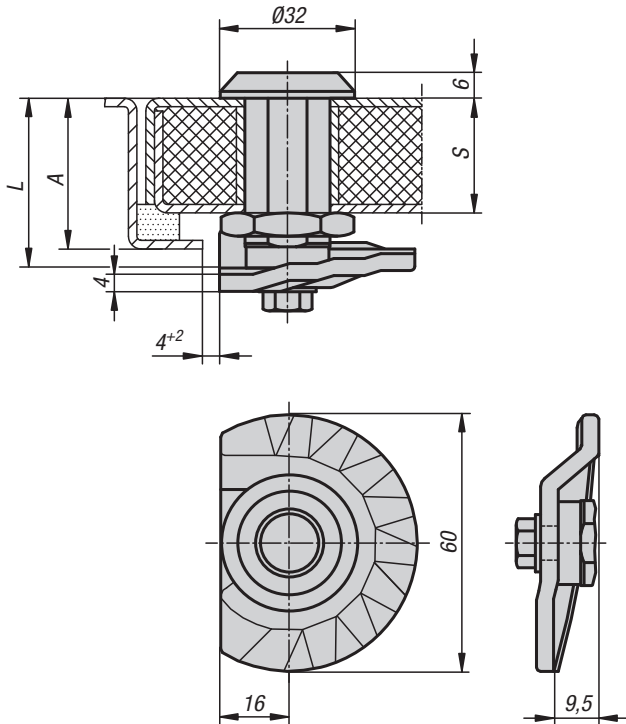
Order No.	Actuation
K0526.1183	t-grip
K0526.2183	t-grip, lockable

KIPP Tongue for quarter-turn lock

Order No.	A	L
K0523.145X	4,5/6,5/8,5/10,5/12,5/14,5/16,5/18,5/20,5/21,5/22,5/24,5/26,5/28,5/30,5/32,5/34,5/36,5/38,5/40,5/42,5	45
K0523.135X	16,5/18,5/20,5/22,5/24,5	35

Compression latches

with stepped cam



Material:

Housing, actuator, nut and cam die-cast zinc.
Flat seal rubber.

Version:

Housing, actuator, nut and cam, chrome-plated.

Sample order:

Compression latch K0527.17301

Note:

Compression latches with stepped cam are primarily used for doors and housings that require a high pressure on the seal. Right or left deployment. The locking direction is always clockwise. By turning the actuator to the right the door can be pulled incrementally into the frame by up to 9.5 mm at a maximum rotation of 270°.

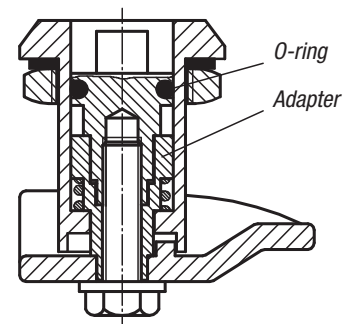
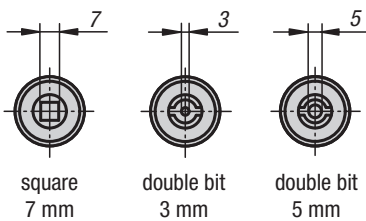
The fastening nut is an earthing nut with teeth one side.

Water and dust tight according to IP65.

Accessories:

Key K0535

Actuation

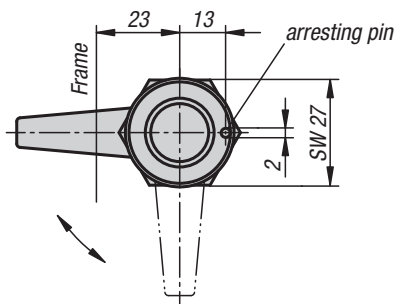
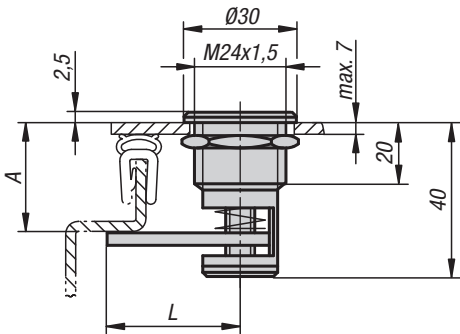


KIPP Compression latches with stepped cam

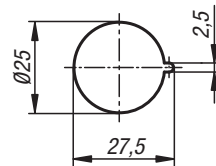
Order No. square 7 mm	Order No. double bit 3 mm	Order No. double bit 5 mm	A	L	S max.
K0527.17301	K0527.43301	K0527.45301	30 -9,5	30	20
K0527.17401	K0527.43401	K0527.45401	40 -9,5	40	30
K0527.17501	K0527.43501	K0527.45501	50 -9,5	50	40
K0527.17601	K0527.43601	K0527.45601	60 -9,5	60	50

Compression latches

with variable compression



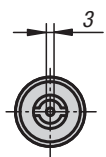
Mounting cutout



Actuation



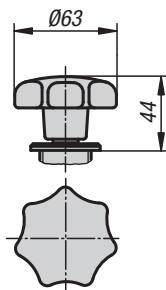
square
7 mm



double bit
3 mm



double bit
5 mm



star grip

Material:

Compression latch steel.
DIN 6336 star grip Duroplast.

Version:

Compression latch galvanized and blue chromed.
Star grip black.

Sample order:

Compression latch K0528.1709161

Note:

Compression latches are primarily used for doors and housings that require a high pressure on the seal. Right or left deployment. The locking direction is always clockwise.

Assembly:

Cut a notch in a Ø25 mm hole for the locking pin. Pass the latch through the hole. The tongue must be in the end position and in the centre of the opening before the nut can be slipped on and tightened.

On request:

Water tight version according to IP 65.

Function:

Turning the actuator 90° brings the tongue into the closed position. Turning the actuator further winds the tongue up the thread and increases the pressure on the frame. To unlock the latch turn the actuator to the left. The tongue moves to the open position and, even doors with sticky seals can be easily opened. The variable compression gap is 7 mm. The frame width range of 9-44 mm is covered by 7 offset tongues (dimension A).

Supplied completely assembled.

Accessories:

Key K0535

KIPP Compression latches with variable compression

Order No. square 7 mm	Order No. double bit 3 mm	Order No. double bit 5 mm	Order No. star grip	A	L
K0528.1709161	K0528.4309161	K0528.4509161	K0528.5009161	9 - 16	40,5
K0528.1713201	K0528.4313201	K0528.4513201	K0528.5013201	13 - 20	42,5
K0528.1717241	K0528.4317241	K0528.4517241	K0528.5017241	17 - 24	44
K0528.1723301	K0528.4323301	K0528.4523301	K0528.5023301	23 - 30	45
K0528.1729361	K0528.4329361	K0528.4529361	K0528.5029361	29 - 36	43
K0528.1733401	K0528.4333401	K0528.4533401	K0528.5033401	33 - 40	40,5
K0528.1737441	K0528.4337441	K0528.4537441	K0528.5037441	37 - 44	37

Compression latches



Material:
Housing and actuator die-cast zinc.
Flat seal rubber.
Tongue steel.

Version:
Housing and actuator chrome-plated.
Tongue galvanized.

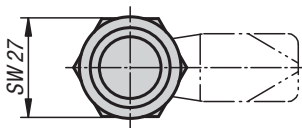
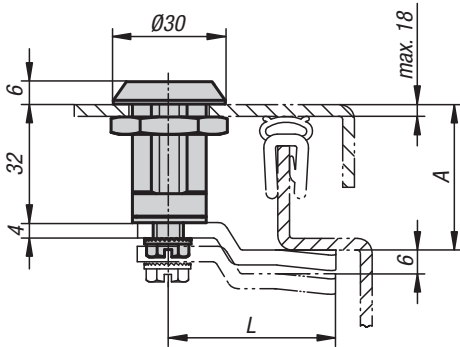
Sample order:
Compression latch K0529.18321
Tongue K0530.145X320
(include tongue gap „A“)

Note:
Compression latches are primarily used for doors and housings that require a high pressure on the seal. Right or left deployment. The locking direction is always clockwise.

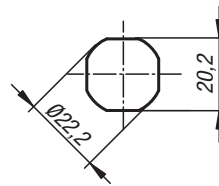
Vibration-proof, water and dust tight according to IP65. Please order the desired tongue type separately. Every tongue can be combined with every housing.

Function:
Turning the actuator 90° brings the tongue into the closed position. Turning the actuator another 90° draws the tongue into the frame increasing the pressure. The compression gap is 6 mm. The fastening nut is an earthing nut with teeth one side.

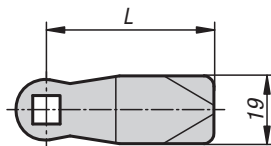
Accessories:
Key K0535



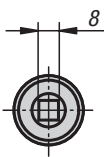
Mounting cutout



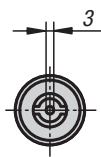
Tongue



Actuation



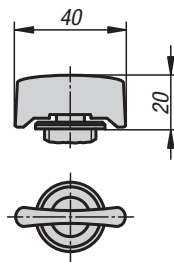
square
8 mm



double bit
3 mm



double bit
5 mm



wing-handle

KIPP Compression latches

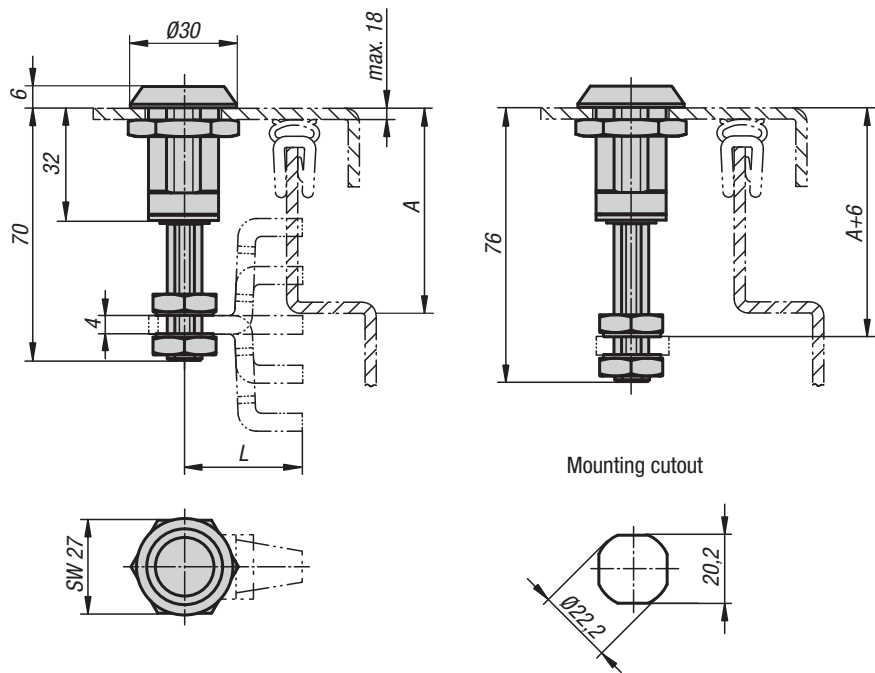
Order No.	Actuation
K0529.18321	square 8 mm
K0529.43321	double bit 3 mm
K0529.45321	double bit 5 mm
K0529.30321	wing-handle

KIPP Tongue for compression latches

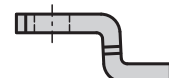
Order No.	A	L
K0530.145X	32/35/38/44	45
K0530.151X	32	51

Compression latches

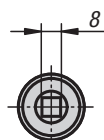
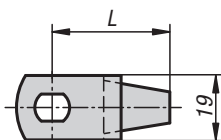
with adjustable tongue gap



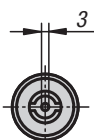
Tongue



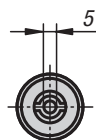
Actuation



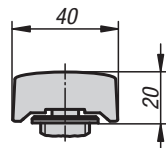
square
8 mm



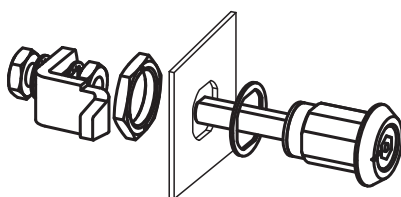
double bit
3 mm



double bit
5 mm



wing-handle



Material:

Housing and actuator die-cast zinc.
Flat seal rubber.
Tongue steel.

Version:

Housing and actuator chrome-plated.
Wing-handle version powder-coated.
Tongue galvanized.

Sample order:

Compression latch K0531.18321
Tongue K0532.1000X590

Note:

Compression latches are primarily used for doors and housings that require a high pressure on the seal. Right or left deployment. The locking direction is always clockwise.

Vibration-proof, water and dust tight according to IP65. Please order the desired tongue type separately. Every tongue can be combined with every housing.

Function:

Turning the actuator 90° brings the tongue into the closed position. Turning the actuator another 90° draws the tongue into the frame increasing the pressure. The compression gap is 6 mm. The fastening nut is an earthing nut with teeth one side. The offset tongue can be installed positive or negative.

Accessories:

Key K0535

KIPP Compression latches with adjustable tongue gap

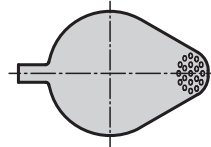
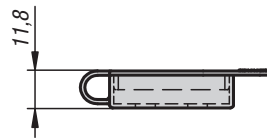
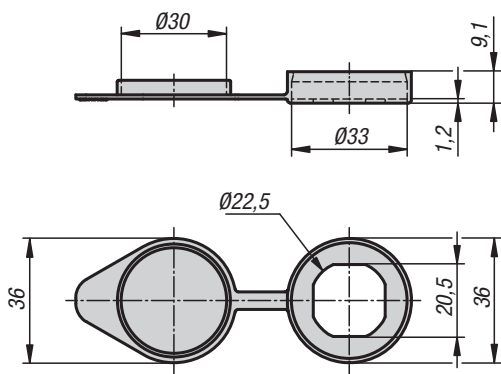
Order No.	Actuation
K0531.18321	square 8 mm
K0531.43321	double bit 3 mm
K0531.45321	double bit 5 mm
K0531.30322	wing-handle

KIPP Tongues for compression latches with adjustable tongue gap

Order No.	A	L
K0532.1000X590	40 - 59	33
K0532.1140X730	26 - 45 / 52 - 73	33
K0532.1275X860	12 - 32 / 68 - 86	33

K0533

Dust caps



Material:
Thermoplastic plastic (PU).

Version:
black.

Sample order:
K0533.202230

Note:
Dust caps for compression latches with a head diameter up to max. 32 mm. It offers increased protection from dust and moisture. If the dust cap is used, dimension „A“ of the compression latch is reduced by 1 mm.

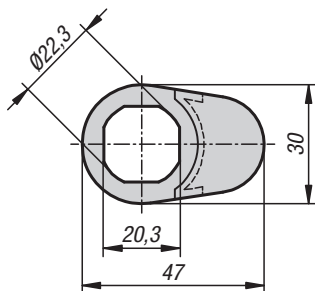
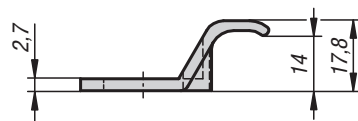


KIPP Dust caps

Order No.	Approx. weight kg
K0533.202230	0,005

K0534

Opening grips



Material:
Thermoplastic plastic (PA).

Version:
black.

Sample order:
K0534.202230

Note:
Practical opening grip for compression latches with a head diameter up to max. 30 mm. If the opening grip is used, dimension „A“ of the compression latch is reduced by 2.5 mm.



KIPP Opening grips

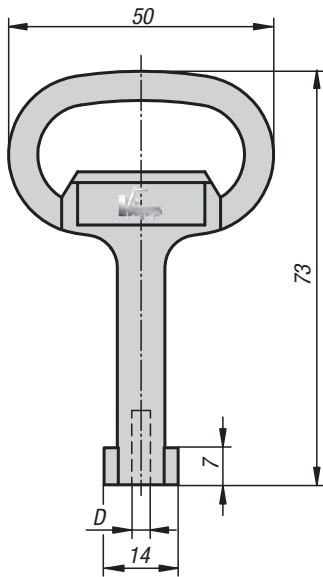
Order No.	Approx. weight kg
K0534.202230	0,003

Keys

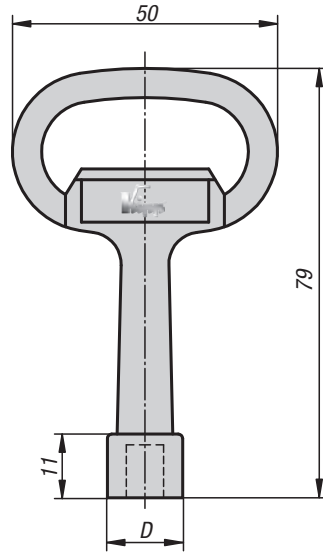
for latches and locks



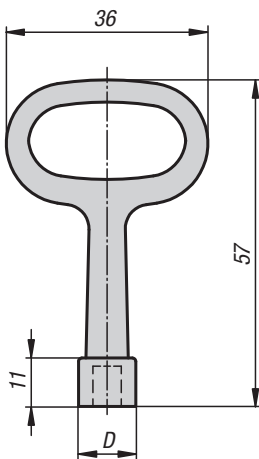
Form A
double bit



Form B
square



Form C
square



Material:
Die-cast zinc.

Version:
chromium-plated.

Sample order:
K0535.43

Note:
For operating compression latches and quarter-turn locks.



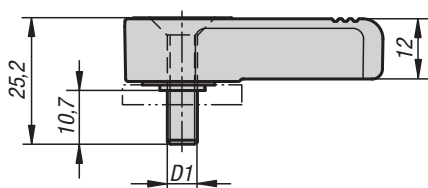
KIPP Keys for latches and locks

Order No.	Form	Version	D
K0535.43	A	double bit 3 mm	3
K0535.45	A	double bit 5 mm	5
K0535.17	B	square 7 mm	15
K0535.18	B	square 8 mm	15
K0535.16	C	square 6 mm	11,5

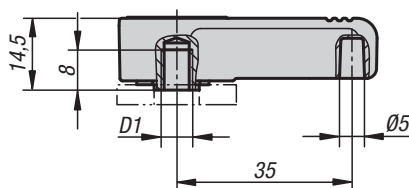
Stop latches



external threads



internal threads



Material:

Housing die-cast zinc, plastic-coated.
Pin steel 1.0718.
Washer plastic.
Circlip spring steel.
Countersunk screw steel grade 8.8.

Version:

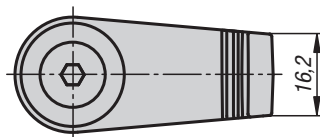
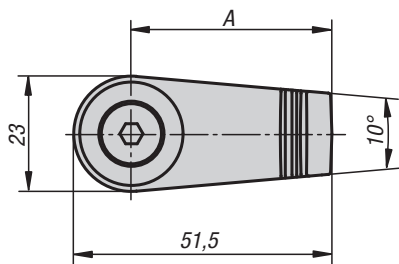
Housing black or red.
Pin blue chromed.
Circlip, countersunk screw, black.

Sample order:

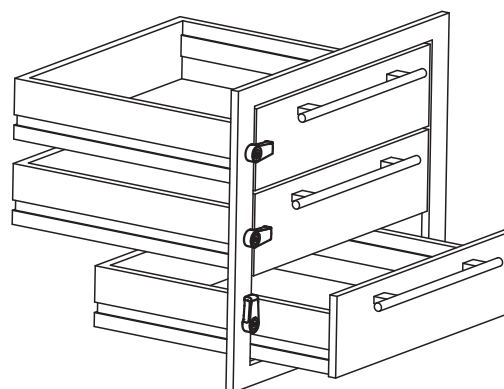
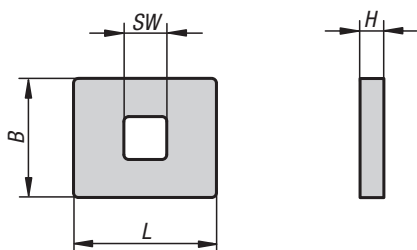
K0271.140061

Note:

Engagement every 90°.
Please order profile adapter plate separately.
Can be used with external and internal threads.



Profile adapter plate



KIPP Stop latch

Order No.	Colour	Version	A	D1
K0271.140061	black	internal thread	40	M6
K0271.140062	red	internal thread	40	M6
K0271.140061X10	black	external thread	40	M6
K0271.140062X10	red	external thread	40	M6

KIPP Profile adapter plate

Order No.	B	H	L	SW
K0271.09302505	25	5	30	9