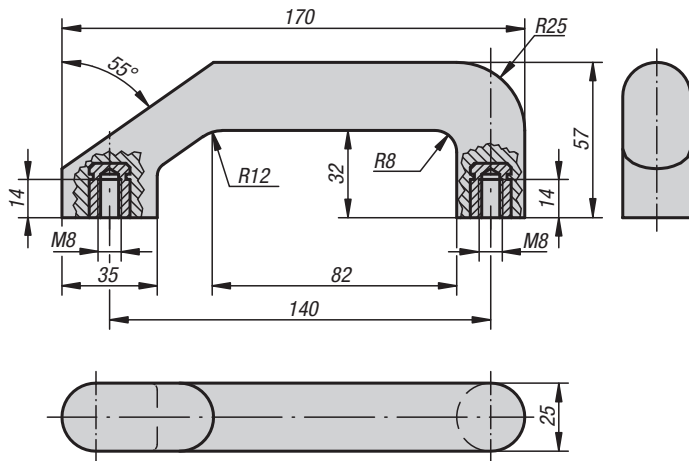


Pull handles



Material:
Duroplast PF 31, black.
Bushing brass or galvanized steel.

Version:
High-gloss polished.

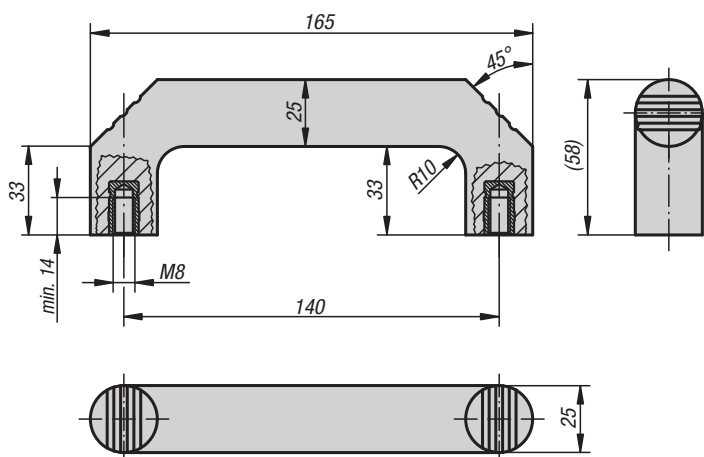
Sample order:
K0187.101

Assembly:
From the rear.

KIPP Pull handles

Order No.	Bush material	Load capacity N
K0187.101	brass	300
K0187.201	galvanized steel	300

Pull handles



Material:
Duroplast PF 31, black.
Bushing brass or galvanized steel.

Version:
High-gloss polished.

Sample order:
K0188.114008

Assembly:
From the rear.

KIPP Pull handles

Order No.	Bush material	Load capacity N
K0188.114008	brass	500
K0188.214008	galvanized steel	500

Pull handles



Material:
Duroplast FS 31.
Threaded insert steel.

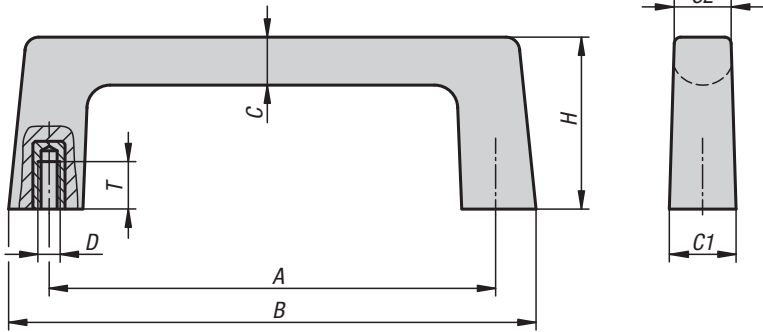
Version:
black.

Sample order:
K1074.11005

Note for ordering:
Fastening screws included.

Note:
Load rating max. 500 N.

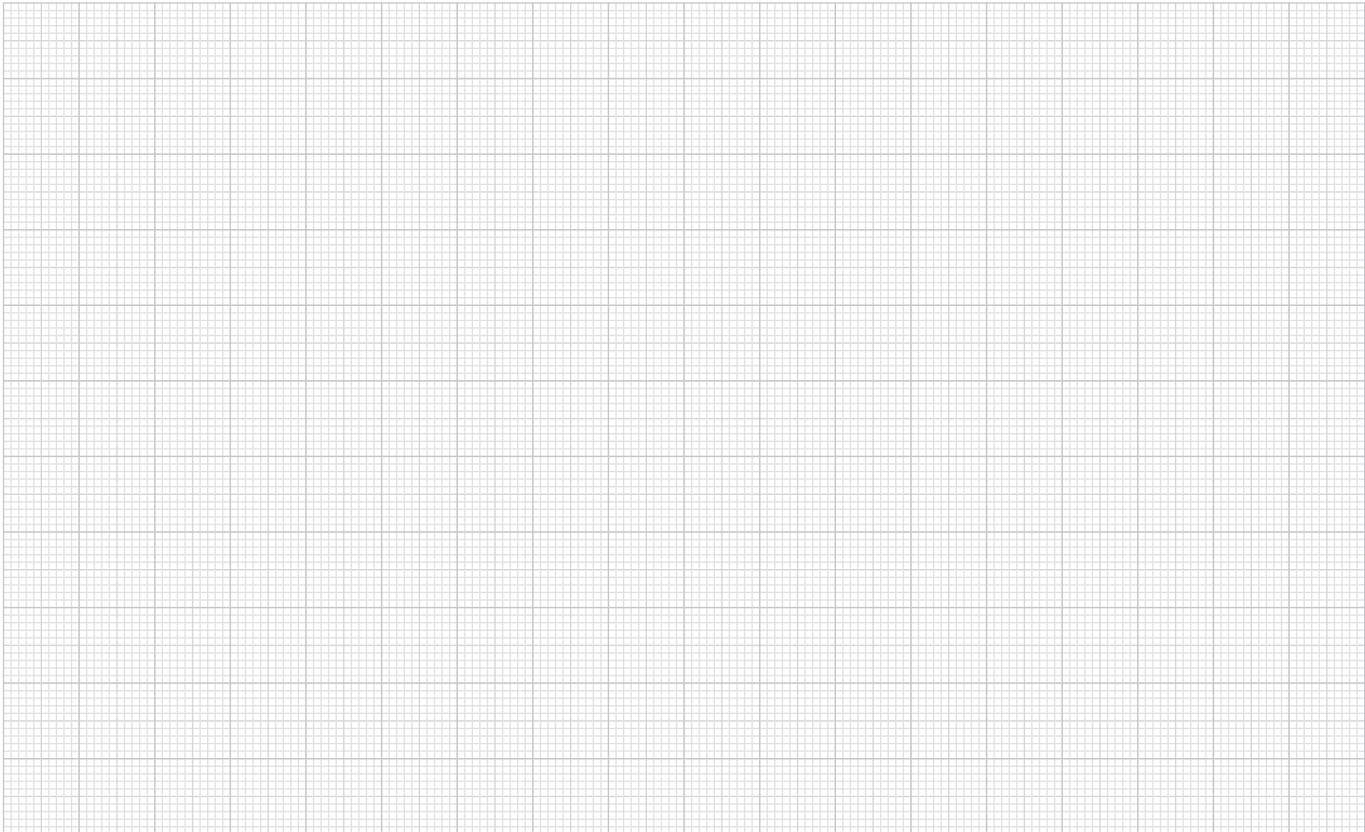
Assembly:
From the rear.



KIPP Pull handles

Order No.	Material	A	B	C	C1	C2	D	H	T	Load capacity N
K1074.11005	Duroplast	110	130	12	16	14	M5	42	10	500

Notes



Pull handles



Material:
Thermoplastic.
Bushing brass.

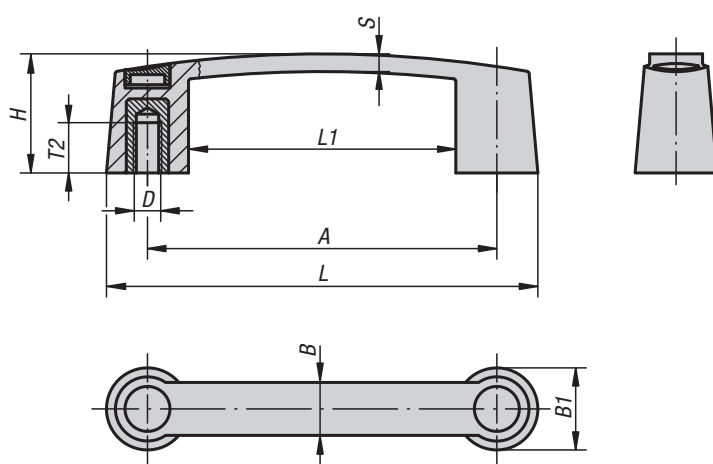
Version:
Handle and cap black.

Sample order:
K0189.109406

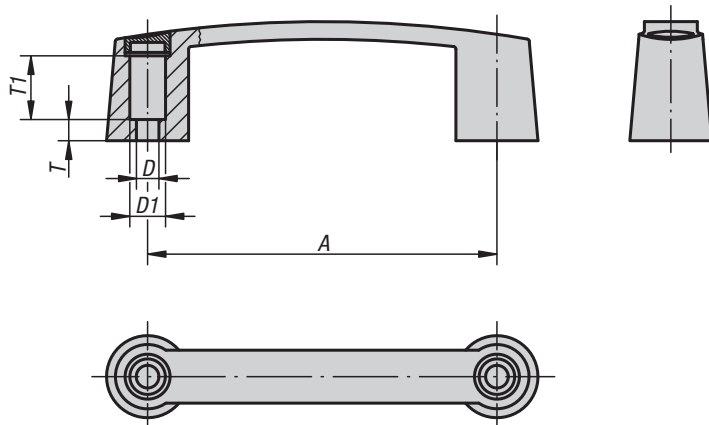
Assembly:
Form A from the rear.
Form B from the front.

On request:
Other handle or cap colours.

Form A



Form B



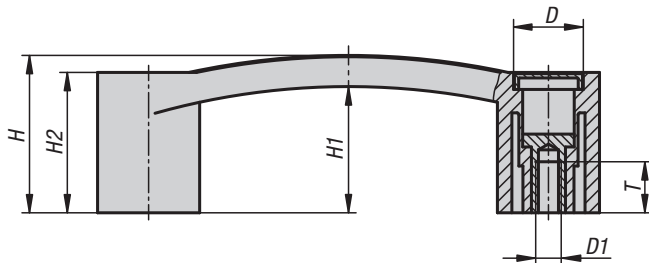
KIPP Pull handles

Order No.	Form	A	B	B1	D	D1	H	L	L1	S	T	T1	T2
K0189.109406	A	93,5	17	26	M6	-	35	119,5	67,5	5,8	-	-	15,5
K0189.111706	A	117	19	29	M6	-	40	145	89	6,4	-	-	15,5
K0189.111708	A	117	19	29	M8	-	40	145	89	6,4	-	-	16
K0189.113206	A	132	20	31	M6	-	45	163	101	6,7	-	-	15,5
K0189.113208	A	132	20	31	M8	-	45	163	101	6,7	-	-	16
K0189.117910	A	179	22	35	M10	-	50	213	145	7,1	-	-	22
K0189.209406	B	93,5	17	26	6,8	12	35	119,5	67,5	5,8	4,5	19	-
K0189.211708	B	117	19	29	8,5	13,5	40	145	89	6,4	8	23	-
K0189.213208	B	132	20	31	8,5	13,5	45	163	101	6,7	8	22	-
K0189.217908	B	179	22	35	8,5	13,5	50	213	145	7,1	12	22	-

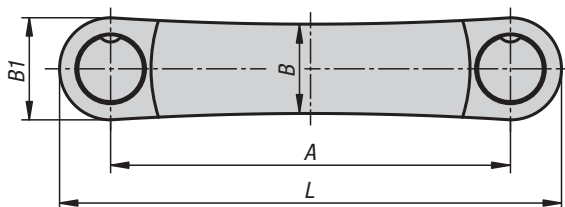
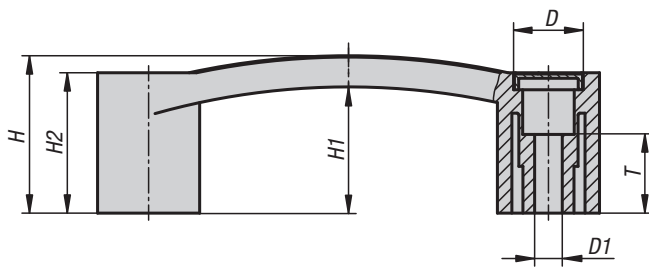
Pull handles



Form A



Form B



Material:
Fibreglass reinforced thermoplastic.
Tapped bush brass.

Version:
Black.
Cap grey.

Sample order:
K1092.109406

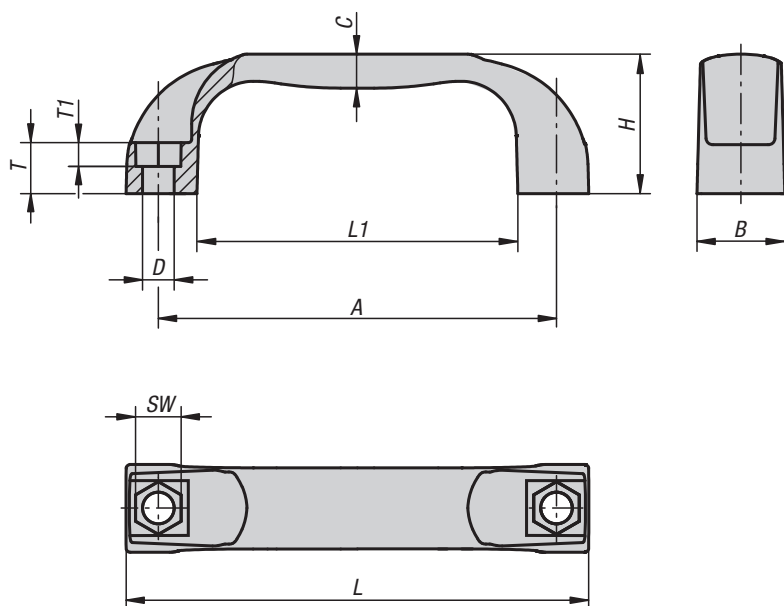
Assembly:
Form A from the rear.
Form B from the front.

On request:
Other handle or cap colours.

KIPP Pull handles

Order No.	Version	Form	A	B	B1	D	D1	H	H1	H2	L	T	F1 (N)	F2 (N)
K1092.109406	internal thread	A	94	21	24	16	M6	37	30	33	118	12	2000	2000
K1092.111706	internal thread	A	117	24	28	18	M6	40,5	31,5	34	145	12	3400	2900
K1092.111708	internal thread	A	117	24	28	18	M8	40,5	31,5	34	145	12	3400	2900
K1092.112006	internal thread	A	120	24	28	18	M6	40,5	31,5	34	148	12	3500	1700
K1092.112008	internal thread	A	120	24	28	18	M8	40,5	31,5	34	148	12	3500	1700
K1092.113208	internal thread	A	132	24	28	18	M8	43	34	36,5	160	12	3500	2900
K1092.209406	through hole	B	94	21	24	16	6,5	37	30	33	118	14	2500	2000
K1092.211706	through hole	B	117	24	28	18	6,5	40,5	31,5	34	145	15	3700	3500
K1092.211708	through hole	B	117	24	28	18	8,5	40,5	31,5	34	145	15	3700	3500
K1092.212006	through hole	B	120	24	28	18	6,5	40,5	31,5	34	148	15	2900	3500
K1092.212008	through hole	B	120	24	28	18	8,5	40,5	31,5	34	148	15	2900	3500
K1092.213208	through hole	B	132	24	28	18	8,5	43	34	36,5	160	15	3200	3200

Pull handles



Material:

Thermoplast PA (polyamide), glass-bead reinforced or PP (polypropylene), fibreglass reinforced.

Version:

black grey

Sample order:

K0190.113208

Note:

The fastening hole is designed to accept the head of a socket or hexagon head bolt or a hexagon nut.

Assembly:

From the front or rear.

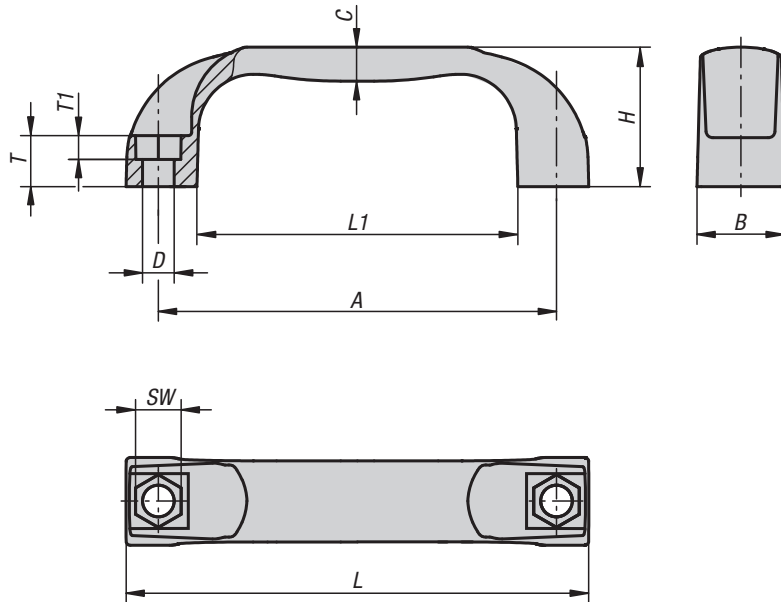
On request:

Other handle colours.

KIPP Pull handles

Order No.	Version	A	B	C	D	H	L	L1	SW	T	T1	Load capacity N
K0190.109406	thermoplastic PA	94 ±0,5	21	8	6,6	36	109	76	10	13	6	1000
K0190.111708	thermoplastic PA	117 ±0,5	26	10	9	41	136	94	13	15	8	1500
K0190.113208	thermoplastic PA	132 ±0,5	27	11	9	44	154	112	13	16	8	1500
K0190.117908	thermoplastic PA	179 ±1,0	28	11	9	50	197	156	13	17	8	1500
K0190.209406	thermoplastic PP	94 ±0,5	21	8	6,6	36	109	76	10	13	6	500
K0190.211708	thermoplastic PP	117 ±0,5	26	10	9	41	136	94	13	15	8	800
K0190.213208	thermoplastic PP	132 ±0,5	27	11	9	44	154	112	13	16	8	800
K0190.217908	thermoplastic PP	179 ±1,0	28	11	9	50	197	156	13	17	8	800

Pull handles antibacterial

**Material:**

Thermoplastic PA (polyamide) reinforced.

Version:

slate grey.

Sample order:

K0190.1211708144

Note:

The fastening hole is designed to accept the head of a socket or hexagon head bolt or a hexagon nut.

Application:

The antibacterial KIPP MEDI grip products are highly effective against a variety of hazardous microorganisms, such as bacteria, fungi, viruses and even multi-resistant bacteria (e.g. MRSA). The plastic used incorporates micro-silver particles with an antimicrobial effect to ensure effective results throughout the entire product life cycle.

Function:

Silver ions are effective in preventing harmful microorganisms from forming on the product surface, promoting a constant reduction of the existing germs on the MEDI grip products (as tested and confirmed by an accredited testing laboratory).

During cleaning cycles the risk of infection while touching these products is significantly lower.

Assembly:

From the front or rear.

Advantages:

Resistant to humidity and cleaning products (during disinfection) with no toxic side effects.

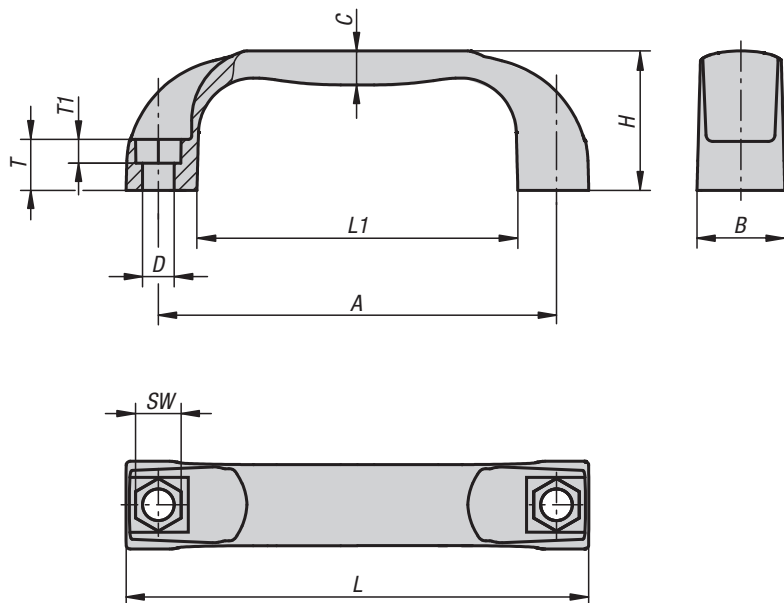
Applications:

For installation on machines, equipment, plants and furnishings in areas with increased hygienic requirements (including hospitals, doctors' surgeries, rehabilitation centres and food production facilities), as well as for use in public areas or regularly frequented institutions (i.e. nursing homes or daycare centres).

KIPP Pull handles antibacterial

Order No.	A	B	C	D	H	L	L1	SW	T	T1	Load capacity N
K0190.1211708144	117 ±0,5	26	10	9	41	136	94	13	15	8	1000

Pull handles antistatic



Material:

Thermoplastic PA (polyamide) reinforced.

Version:

graphite black.

Sample order:

K0190.111170824

Note:

The fastening hole is designed to accept the head of a socket or hexagon head bolt or a hexagon nut.

Application:

Sensitive electrical or electronic equipment, components and devices (ESD sensitive elements) may be damaged or destroyed by electrostatic discharges (ESD) in the immediate vicinity. Electrostatic discharges can come from people or through handling ESD sensitive components (e.g. during production, assembly, transport, storage etc). Electrically conductive products which conform to DIN EN 61340-5-1 are essential within electronic environments to prevent an electrostatic discharge. These products can be used for ESD applications or in ESD protection areas (EPA) in accordance with DIN EN 61340-5-1.

The yellow ESD logo is printed on the side of the product to clearly identify it.

Assembly:

From the front or rear.

Safety:

These ESD products can also be used for devices, components and protection systems in areas with high risk of explosion.

Use of these ESD products prevents the occurrence of electrostatic spark discharges, eliminating the potential ignition of gases and dusts which could lead to explosions in enclosed spaces.

Manufacturers and operators must use and conform to ATEX directives for the protection of persons working in areas with high risk of explosion.

These ESD products are certified by TÜV-Süd in relation to their electrical discharge capability.

Target groups:

Device manufacturers required to conform to ATEX product directive 2014/34/EU.

Operators required to conform to ATEX worker protection directive 1999/92/EC.

KIPP Pull handles antistatic

Order No.	Colour	A	B	C	D	H	L	L1	SW	T	T1	Load capacity N
K0190.111170824	graphite black	117 ±0,5	26	10	9	41	136	94	13	15	8	1000

Pull handles



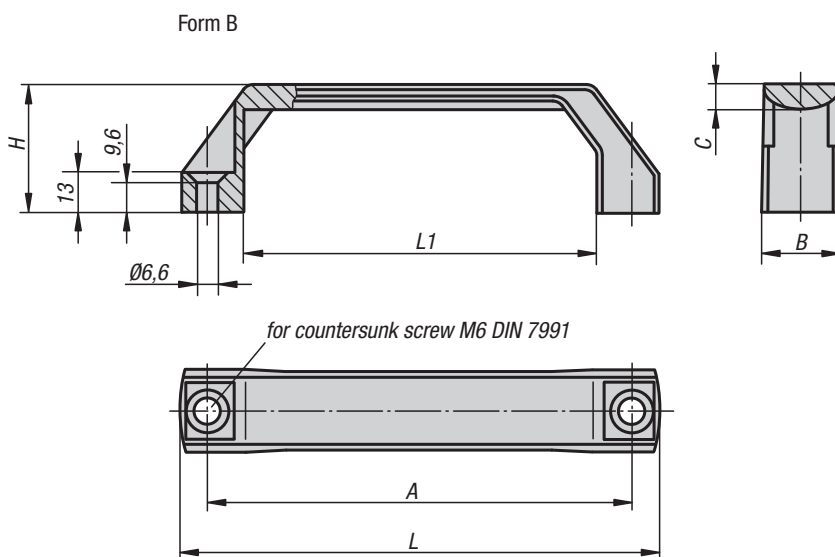
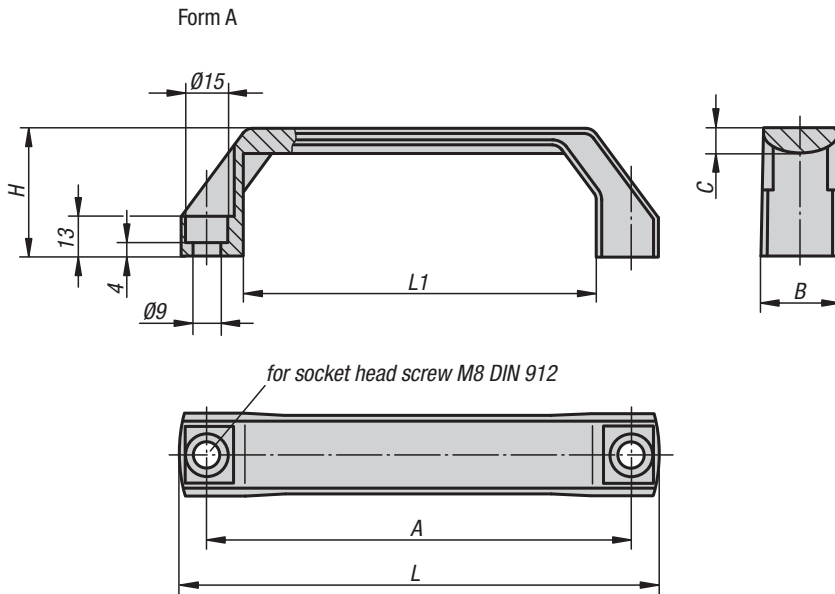
Material:
Glass bead reinforced thermoplastic

Version:
Matt black or orange

Sample order:
K0191.1120081

Note:
Dimension „A“ applies after mounting. Before mounting it can be up to 2 mm smaller due to the release of the bending stress.

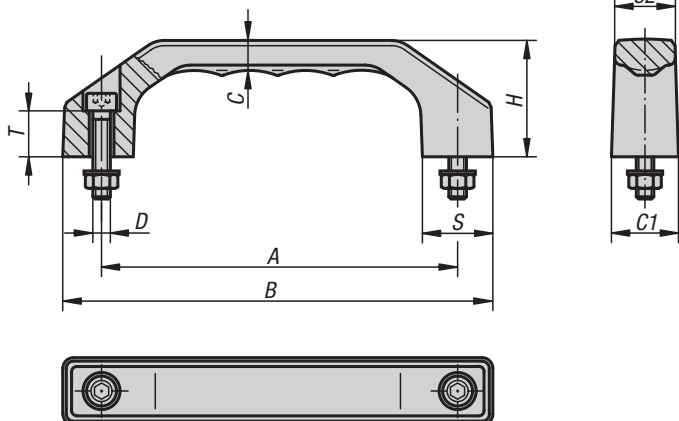
Assembly:
From the front.



KIPP Pull handles

Order No. matt black	Order No. orange	Form	A	B	C	H	L	L1	Load capacity N
K0191.1120081	K0191.1120082	A	120	26	8	42	138	96	1000
K0191.1140081	K0191.1140082	A	140	26	8	42	158	116	1000
K0191.1160081	K0191.1160082	A	160	28	9	45	178	136	1000
K0191.2120061	K0191.2120062	B	120	26	8	42	138	96	1000
K0191.2140061	K0191.2140062	B	140	26	8	42	158	116	1000
K0191.2160061	K0191.2160062	B	160	28	9	45	178	136	1000

Pull handles



Material:

Glass-bead reinforced thermoplastic.

Version:

Matt black with fine texture.

Sample order:

K0200.140082

Note:

These handles are extremely flex-resistant and are very user friendly. Fastening screws, nuts and washers are supplied. Stainless steel fasteners are supplied for wet areas.

Assembly:

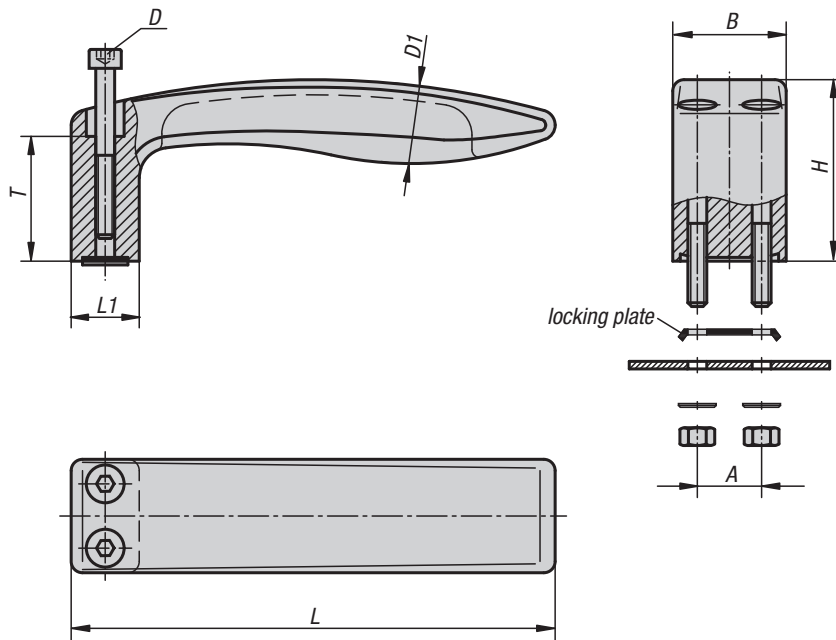
From the front.

KIPP Pull handles

Order No.	Order No. for wet areas	A	B	C	C1	C2	D	H	S	T	Load capacity N
K0200.100051	K0200.100052	100	122	8,5	19	17	M5x22	35	20	13	1000
K0200.120061	K0200.120062	120	146	10,5	23	20,5	M6x25	39	24	15	1000
K0200.140081	K0200.140082	140	170	12	27	24	M8x30	45	28	16	1000
K0200.160081	K0200.160082	160	194	13,5	31	27,5	M8x35	52	32	20	1000
K0200.180081	K0200.180082	180	218	15,5	35	31	M10x40	58	36	20	1000

Pull handles

open-ended screw on



Material:

Glass-bead reinforced thermoplastic.
Fastening material 1.4301.

Version:

Matt black with fine texture.

Sample order:

K0237.12805

Note:

These open-ended handles can be mounted right or left. They are form stable and have a high load rating. Fastening bolts, nuts and washers are supplied as is a locking plate to prevent twisting.

Assembly:

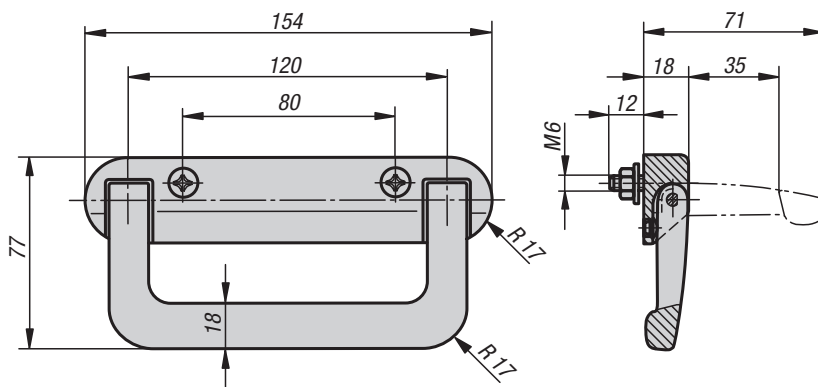
From the front.

KIPP Pull handles open-ended screw on

Order No.	A	B	D	D1	H	L	L1	T	Load capacity N
K0237.12805	17	30	M5x45	20	48	128	18	33	800
K0237.15606	20	36	M6x55	24	58	156	22	40	1000

Pull handles

fold-down



Material:

Frame and grip glass-bead reinforced thermoplastic. Linkpins and return springs stainless steel.

Version:

mat black.

Sample order:

K0241.080181

Note:

The fold-down handle automatically returns to rest. Can be screwed onto a housing panel. Black galvanized DIN 965 countersunk M6x30 screws with cross slit, washers and nuts are supplied.

KIPP Pull handles fold-down

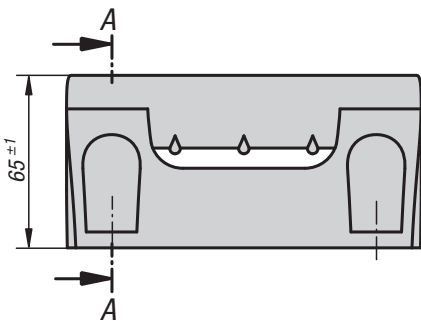
Order No.	Load capacity N
K0241.080181	300

Pull handles

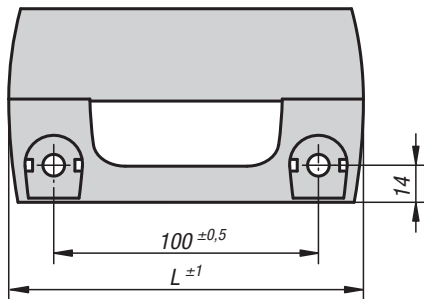
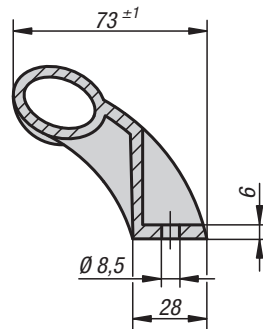
angled



Form A



view A-A



Material:

Glass-bead reinforced thermoplastic PA

Version:

black.

Sample order:

K0244.100081

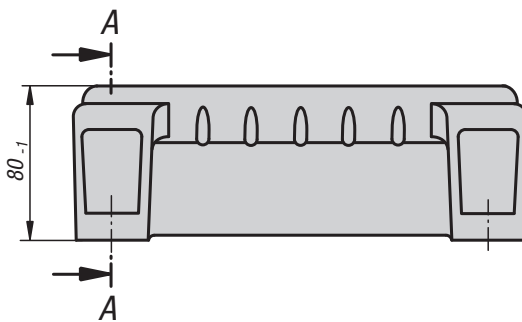
K0244.1 (2 per pack)

Note:

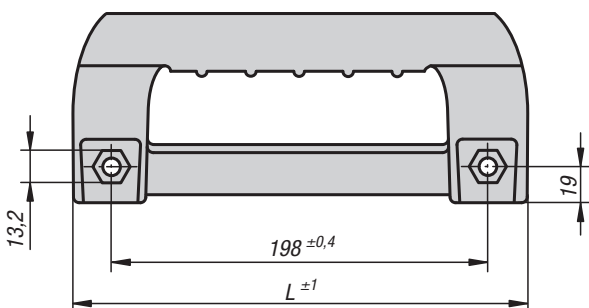
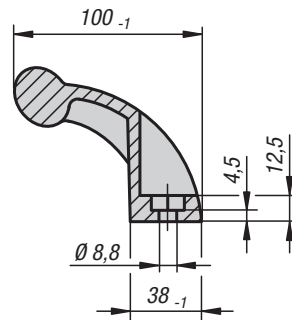
Ergonomic design pull handles with finger shield. For mounting on doors, hatches and aluminium profiles. Ideal for double-leaf doors. Fastening with hexagon or socket head M8 bolts.

Cover caps are not supplied.

Form B



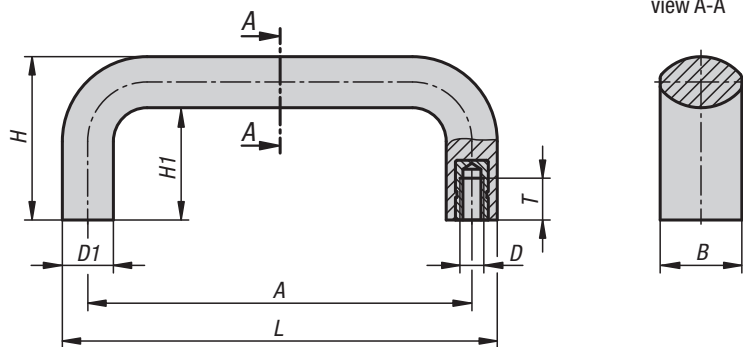
view A-A



KIPP Pull handles angled

Order No.	Form	L	Load capacity N	Order No. cover caps
K0244.100081	A	134	1000	K0244.1
K0244.198081	B	236	1000	K0244.3

Pull handles



Material:
Fibreglass reinforced thermoplastic.
Tapped bush brass.

Version:
black.

Sample order:
K1087.08605

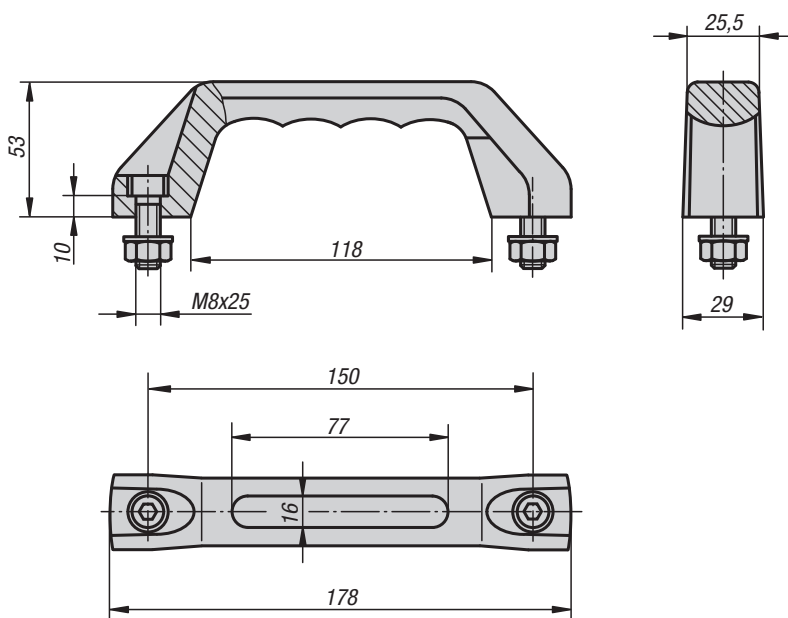
Assembly:
From the rear.

KIPP Pull handles

Order No.	A	B	D	D1	H	H1	L	T	F1 (N)	F2 (N)
K1087.08605	86	20	M5	12,5	40	28	98,5	10	4000	1500
K1087.08606	86	20	M6	12,5	40	28	98,5	9	4000	1500
K1087.09405	94	20	M5	12,5	40	28	106,5	10	3300	1600
K1087.09406	94	20	M6	12,5	40	28	106,5	9	3300	1600
K1087.11705	117	25	M5	16	50	34	134	10	4400	1800
K1087.11706	117	25	M6	16	50	34	134	9	4400	1800
K1087.11708	117	25	M8	16	50	34	134	14	4400	1800
K1087.12005	120	25	M5	16	50	34	134	10	5200	2400
K1087.12006	120	25	M6	16	50	34	134	9	5200	2400
K1087.12008	120	25	M8	16	50	34	134	14	5200	2400
K1087.13205	132	25	M5	16	50	34	148	10	3700	2600
K1087.13206	132	25	M6	16	50	34	148	9	3700	2600
K1087.13208	132	25	M8	16	50	34	148	14	3700	2600
K1087.15006	150	29	M6	18	58	40	168	15	5900	1900
K1087.15008	150	29	M8	18	58	40	168	14	5900	1900
K1087.15010	150	29	M10	18	58	40	168	14	5900	1900
K1087.17908	179	29	M8	18	58	40	197	14	3800	3200
K1087.17910	179	29	M10	18	58	40	197	14	3800	3200

Pull handles

with soft inner face



Material:

Hard components glass-bead reinforced thermoplastic.
Soft components SEBS

Version:

Hard component matt black, soft component basalt grey.

Sample order:

K0171.515008

Note:

Heavy-duty polyamide handle. Excellent carrying and gripping comfort thanks to its soft inner surface. Black galvanized cylindrical screws, nuts and washers are supplied. For wet areas, the fastening material is supplied in stainless steel (1.4301).

Assembly:

From the front.

On request:

With individual caption, embossed or raised on the soft material. Hard and soft components are available in all RAL colours.

KIPP Pull handles with soft inner face

Order No.	Version	Load capacity N
K0171.515008	-	500
K0171.615008	for wet areas	500

Pull handles

oblique



Material:

Grip glass-bead reinforced thermoplastic.
Bushing brass.

Version:

Matt black or light grey

Sample order:

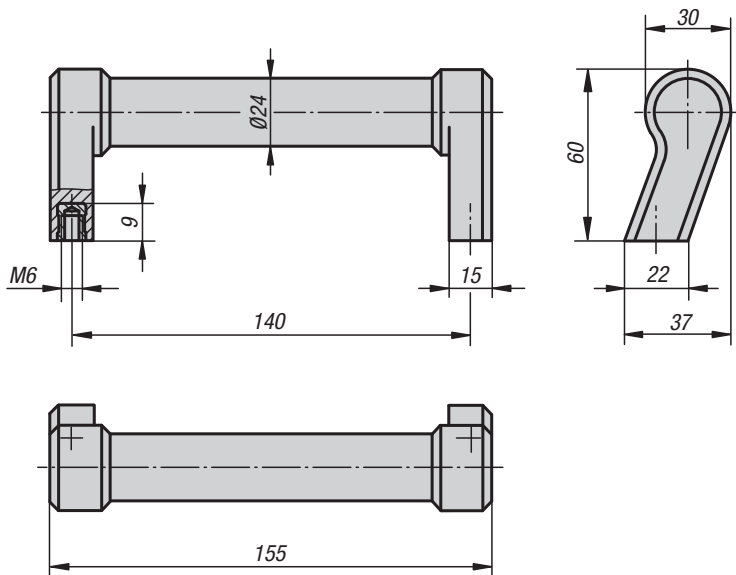
K0197.140061

Note:

Oblique, robust polyamide handle. Tube and legs form one unit. The oblique contact faces allow mounting under cramped conditions e.g. in corners.

Assembly:

From the rear.



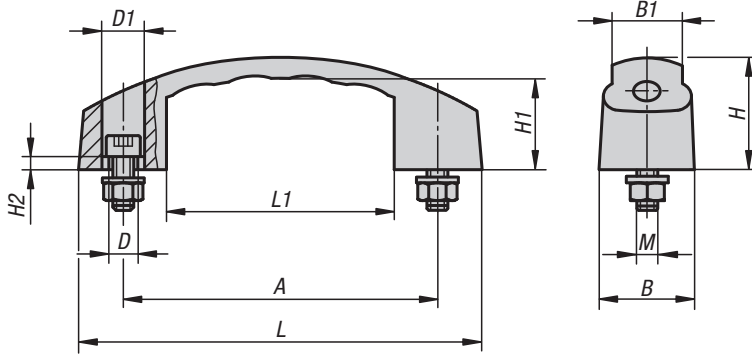
KIPP Pull handles, oblique

Order No.	Colour	Load capacity N
K0197.140061	matt black	1000
K0197.140062	light grey	1000

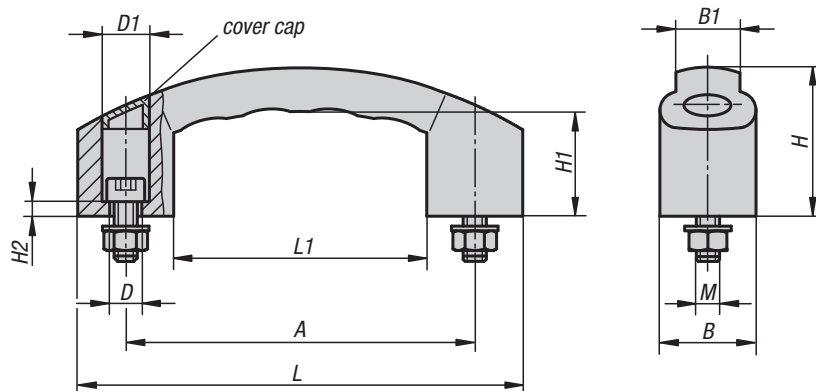
Pull handles



Form A
without cover cap



Form B
with cover cap



Material:

Glass-bead reinforced thermoplastic.

Version:

matt black.

Sample order:

K0192.110006

Note:

Ergonomic and functional pull handles with temperature resistance of -50 °C to +130 °C.

Supplied with DIN 912 socket head screws, DIN 934 nuts and DIN 125 galvanized washers as well as caps for Form B

Form A are supplied without caps.

Assembly:

From the front.

KIPP Pull handles

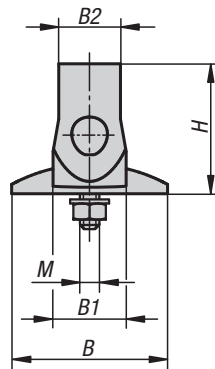
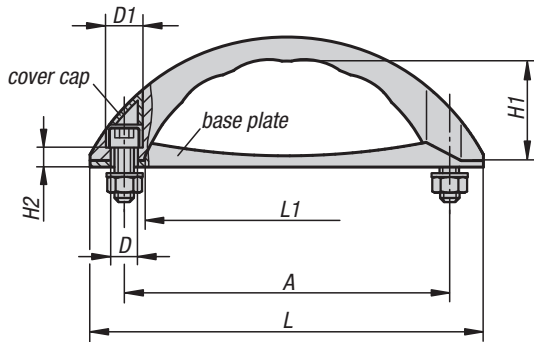
Order No.	Form	A	B	B1	D	D1	H	H1	H2	L	L1	M	Load capacity N
K0192.110006	A	100	27	22	7	11	38	29	5	130	79	M6x25	600
K0192.112006	A	120	29	23	7	11	38	29	8	150	91	M6x25	600
K0192.212008	B	120	33	22	9	14	51	36	5	153	87	M8x30	1000
K0192.214008	B	140	38	26	9,5	15	59	42	6	178	101	M8x30	1000

Pull handles

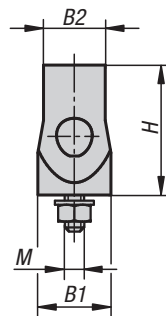
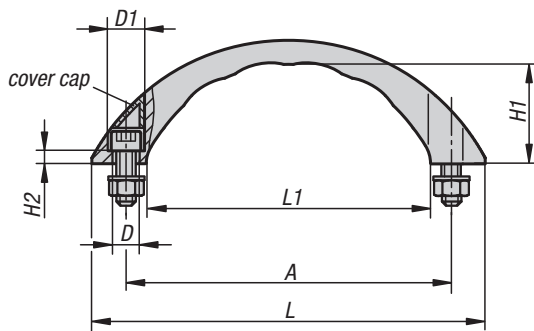
arch



Form A
with base plate



Form B
without base plate



Material:

Glass-bead reinforced thermoplastic.

Version:

matt black.

Sample order:

K0193.110006

Note:

Ergonomic and functional pull handles with temperature resistance of -50 °C to +130 °C.

Supplied with DIN 912 black oxidised socket head screws, DIN 934 nuts, DIN 125 galvanized washers and caps.

The versions K0193.110006 and K0193.210006 are supplied without caps.

Assembly:

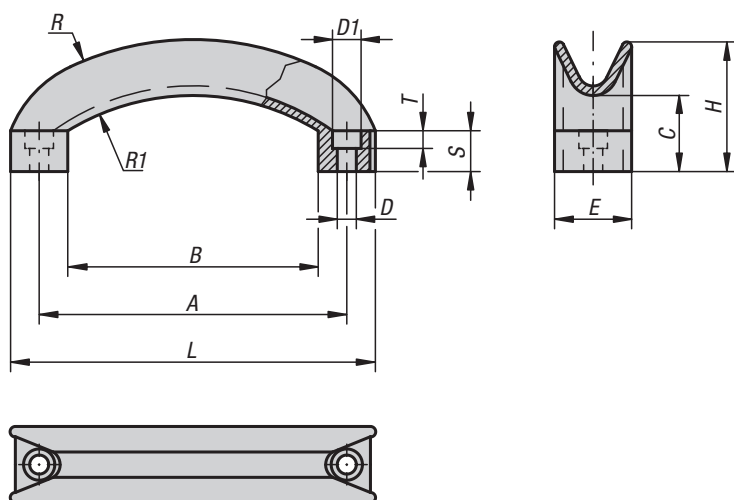
From the front.

KIPP Pull handles, arch

Order No.	Version	Form	A	B	B1	B2	D	D1	H	H1	H2	L	L1	M	Load capacity N
K0193.110006	without cap	A	100	48	23	19	7	11	40	29	6	121	84	M6x25	600
K0193.112006	with cap	A	120	57	28	23	7	12	52	36	7	152	104	M6x25	600
K0193.114008	with cap	A	140	62	31	25	9,5	16	56	37	7,5	177	122	M8x30	600
K0193.210006	without cap	B	100	-	23	19	7	11	38	31	4	121	84	M6x25	600
K0193.212006	with cap	B	120	-	28	23	7	12	50	38	5	152	104	M6x25	600
K0193.214008	with cap	B	140	-	31	25	9,5	16	54	39	5,5	177	122	M8x30	600

Pull handles

arch



Material:
Black grey thermoplastic.

Sample order:
K0194.11406

Assembly:
From the front.

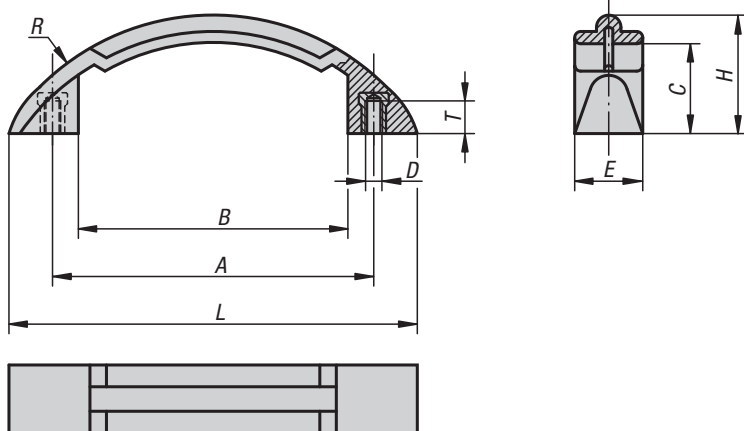
KIPP Pull handles arch

Order No.	D	D1	A	B	C	E	H	L	R	R1	S	T
K0194.11406	6,5	10,5	114	92	29	28	48	134	117	79	15	6,5

K0196

Pull handles

arch



Material, version:
Black grey thermoplastic.
Bushing brass.

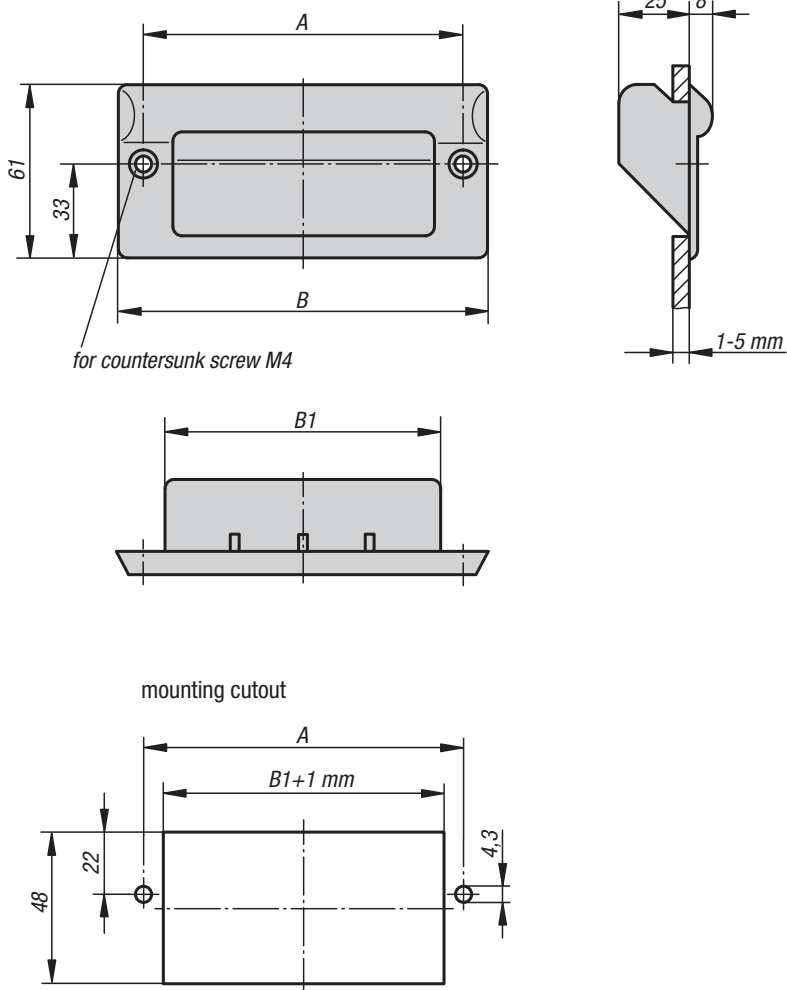
Sample order:
K0196.11906

Assembly:
From the rear.

KIPP Pull handles arch

Order No.	D	A	B	C	E	H	L	R	T
K0196.11906	M6	119	98	33	25	43,5	150	94	10

Recessed handles



Material:

Glass-bead reinforced thermoplastic.

Version:

Semi-matt, black or light grey.

Sample order:

K0242.1082041

Note:

These ergonomically shaped handles are ideally suited for wall thicknesses of 1-5 mm.

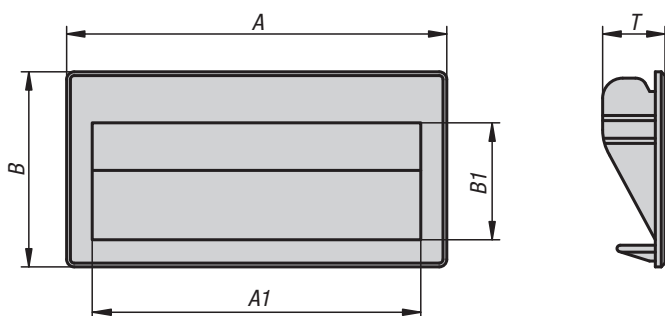
Assembly:

The handle is inserted in the cutout of the housing panel and then fixed from the front with 2 countersunk screws (not supplied).

KIPP Recessed handles

Order No.	Colour	A	B	B1	Load capacity N
K0242.1082041	black	82	100	67	1000
K0242.1112041	black	112	130	97	1000
K0242.1082042	light grey	82	100	67	1000
K0242.1112042	light grey	112	130	97	1000

Recessed handles



Material:
Thermoplastic (ABS).

Version:
black.

Sample order:
K1077.1101

Note:
This handle can be used with a wall thickness of 0.75 to 1.5 mm.
The retaining force is 750 N per pair in steel and plate housings.

KIPP Recessed handles

Order No.	Colour	A	A1	B	B1	T	Mounting cutout	Load capacity N
K1077.0901	black	90	79	40	30	16	83x34	375
K1077.1101	black	110	95	56,3	33,8	18	103x49	375

Recessed handles

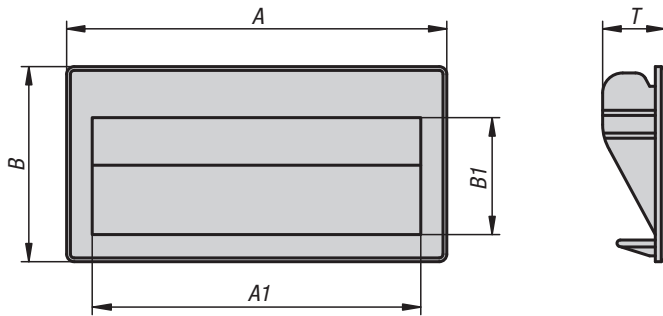


Material:
Thermoplastic (ABS).

Version:
black.

Sample order:
K1078.1871

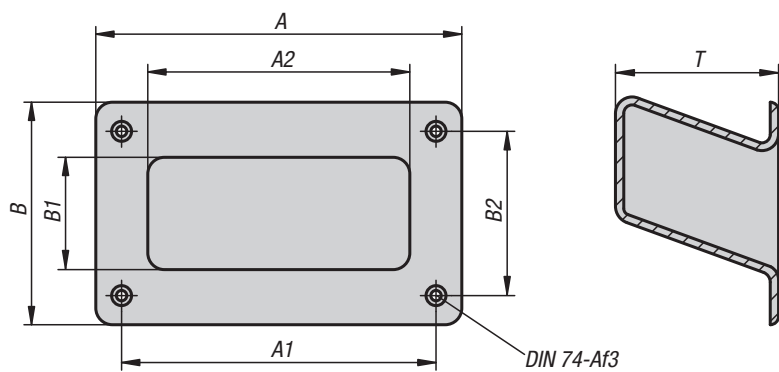
Note:
This handle can be used with a wall thickness of 1.5 to 2 mm.
The retaining force is 750 N per pair in steel and plate housings.



KIPP Recessed handles

Order No.	A	A1	B	B1	T	Mounting cutout	Load capacity N
K1078.1871	187	164	79	54	22	171x73	375

Recessed handles



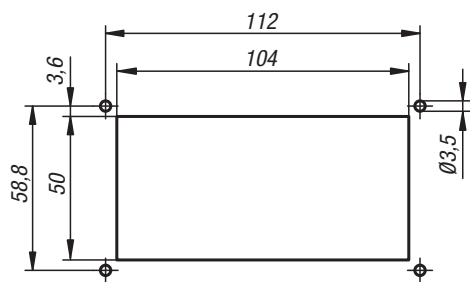
Material:
Thermoplastic (ABS).

Version:
black.

Sample order:
K1079.1121

Note:
Max. load 500 N/pair.

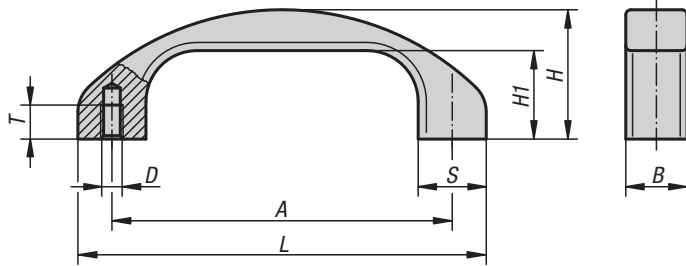
Mounting cutout



KIPP Recessed handles

Order No.	A	A1	A2	B	B1	B2	T	Load capacity N
K1079.1121	131	112	94	79	40	58,8	58	250

Pull handles



Material:

Profile aluminium EN AW-6060

Version:

High quality anodized version, glass-bead blasted, semi-gloss finish.

Sample order:

K0195.120061

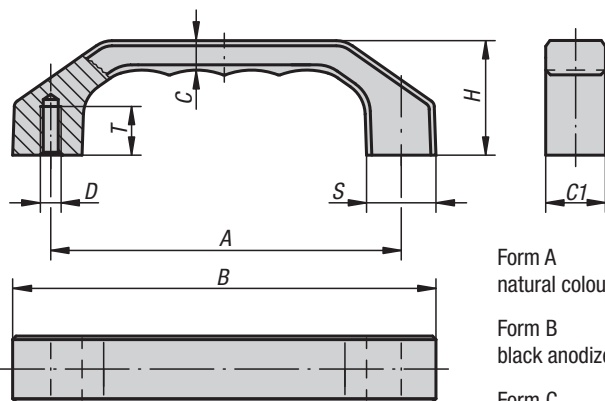
Assembly:

From the rear.

KIPP Pull handles

Order No.	Version	A	B	D	H	H1	L	S	T	Load capacity N
K0195.120061	black anodized	120	22	M6	46	31	144	24	12	1000
K0195.140081	black anodized	140	25	M8	53	36	168	28	15	1000
K0195.120063	natural colour anodized	120	22	M6	46	31	144	24	12	1000
K0195.140083	natural colour anodized	140	25	M8	53	36	168	28	15	1000

Pull handles



Form A
natural colour anodized

Form B
black anodized

Form C
titanium colour powder coated

Material:

EN AW-6060

Version:

Matt-finished and anodized or powder-coated

Sample order:

K0199.140082

Assembly:

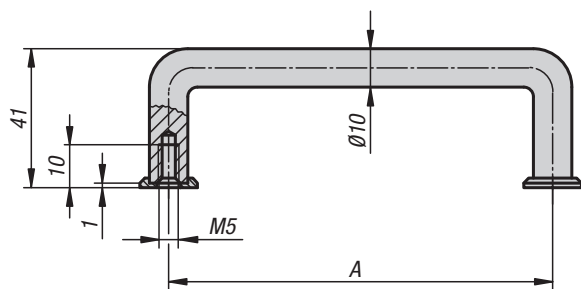
From the rear.

KIPP Pull handles

Order No. Form A	Order No. Form B	Order No. Form C	A	B	C	C1	D	H	S	T	Load capacity N
K0199.120061	K0199.120062	K0199.120063	120	146	10,5	22	M6	39	24	15	1000
K0199.140081	K0199.140082	K0199.140083	140	170	12	25	M8	45	28	16	1000
K0199.160081	K0199.160082	K0199.160083	160	194	13,5	28	M8	52	32	16	1000

Pull handles round

19"



Material:
Round aluminium

Version:
Surface matt-finished and natural colour or black anodized

Sample order:
K0201.055051

Note:
End washers not included.

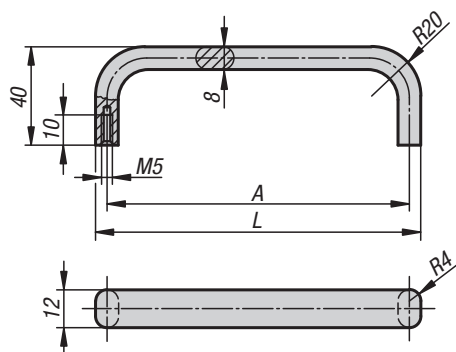
Assembly:
From the rear.

KIPP Pull handles round

Order No.	Version	A	Load capacity N	Order No. end washer
K0201.055051	black anodized	55	500	K0201.1
K0201.088051	black anodized	88	500	K0201.1
K0201.100051	black anodized	100	500	K0201.1
K0201.120051	black anodized	120	500	K0201.1
K0201.180051	black anodized	180	500	K0201.1
K0201.200051	black anodized	200	500	K0201.1
K0201.235051	black anodized	235	500	K0201.1
K0201.250051	black anodized	250	500	K0201.1
K0201.055053	natural colour anodized	55	500	K0201.3
K0201.088053	natural colour anodized	88	500	K0201.3
K0201.100053	natural colour anodized	100	500	K0201.3
K0201.120053	natural colour anodized	120	500	K0201.3
K0201.180053	natural colour anodized	180	500	K0201.3
K0201.200053	natural colour anodized	200	500	K0201.3
K0201.235053	natural colour anodized	235	500	K0201.3
K0201.250053	natural colour anodized	250	500	K0201.3

Pull handles oval

19"



KIPP Pull handles oval

Order No. black anodized	Order No. natural colour anodized	A	L	Load capacity N
K0202.055051	K0202.055053	55	63	500
K0202.088051	K0202.088053	88	96	500
K0202.100051	K0202.100053	100	108	500
K0202.120051	K0202.120053	120	128	500
K0202.180051	K0202.180053	180	188	500
K0202.200051	K0202.200053	200	208	500
K0202.235051	K0202.235053	235	243	500
K0202.250051	K0202.250053	250	258	500



Material:
Oval aluminium

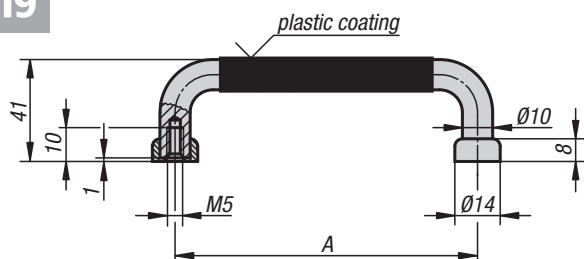
Version:
Surface matt-finished and natural colour anodized or black anodized

Sample order:
K0202.055051

Assembly:
From the rear.

Pull handles round

19"



KIPP Pull handles round

Order No.	A	Load capacity N
K0203.05505	55	1000
K0203.08805	88	1000
K0203.10005	100	1000
K0203.10205	102	1000
K0203.11505	115	1000
K0203.12005	120	1000
K0203.13605	136	1000
K0203.18005	180	1000
K0203.20005	200	1000
K0203.23505	235	1000
K0203.25005	250	1000

Material:
Round steel

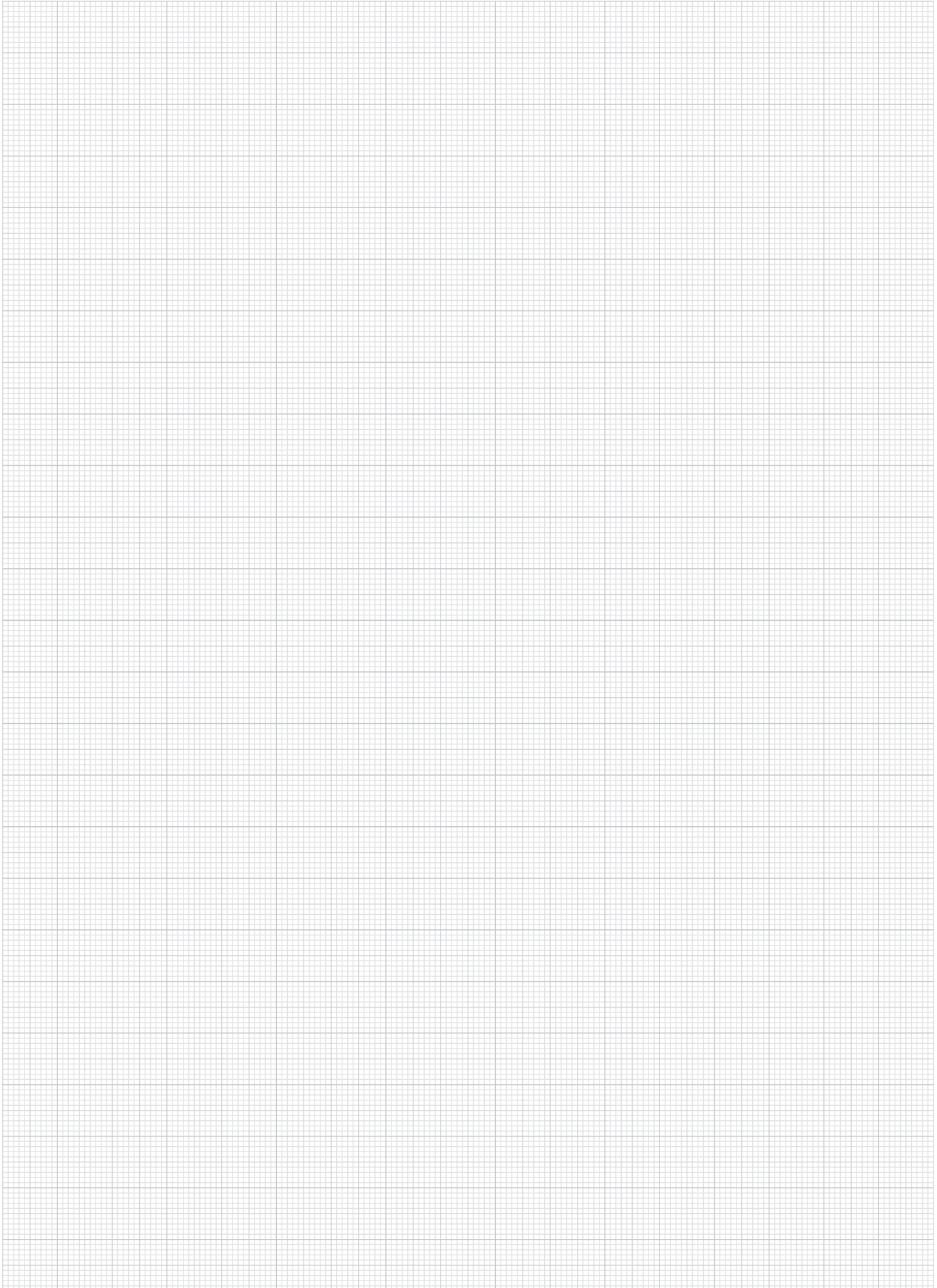
Version:
Surface very finely ground and matt-polish chrome-plated.
Grip plastic coated.

Sample order:
K0203.05505

Note:
High quality handles for front panels and similar applications.

Assembly:
From the rear.





Pull handles oval



Material:

Oval aluminium EN AW-6060

Version:

Black powder-coated or natural colour anodized.

Sample order:

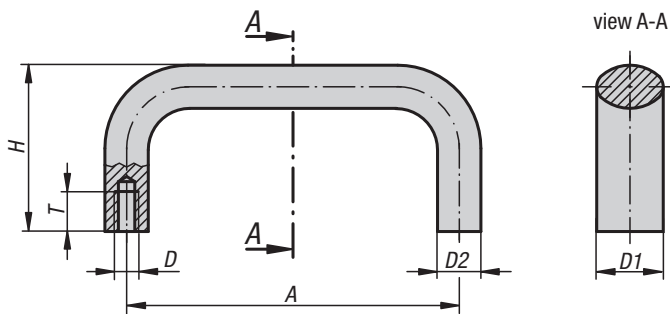
K0204.10001

Note:

These handles are extremely robust and can be used where heavy duty equipment is called for.

Assembly:

From the rear.

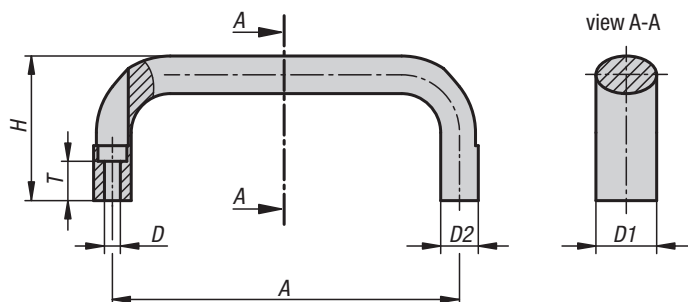


KIPP Pull handles, oval

Order No. black powder-coated	Order No. natural colour anodized	A	D	D1	D2	H	T	Load capacity N
K0204.10001	K0204.10003	100	M6	21/20	13	50	12	1000
K0204.11201	K0204.11203	112	M6	21/20	13	50	12	1000
K0204.12001	K0204.12003	120	M6	21/20	13	50	12	1000
K0204.12801	K0204.12803	128	M6	21/20	13	50	12	1000
K0204.1600106	K0204.1600306	160	M6	21/20	13	50	12	1000
K0204.1120108	K0204.1120308	112	M8	25/26	17	55	14	1000
K0204.1200108	K0204.1200308	120	M8	25/26	17	55	14	1000
K0204.1280108	K0204.1280308	128	M8	25/26	17	55	14	1000
K0204.16001	K0204.16003	160	M8	25/26	17	55	14	1000
K0204.18001	K0204.18003	180	M8	25/26	17	55	14	1000
K0204.19201	K0204.19203	192	M8	25/26	17	55	14	1000
K0204.35001	K0204.35003	350	M8	25/26	17	55	14	1000

Pull handles oval

with thru hole



Material:

Oval aluminium EN AW-6060

Version:

Black powder-coated or ruby red RAL 3003.

Sample order:

K0204.11120105

Assembly:

From the front.

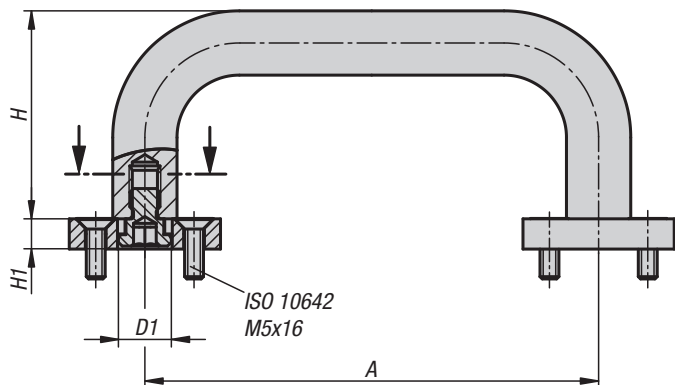
Accessories:

Suitable screws for mounting the handles:
- Socket head screw ISO 4762-M5/ M6.

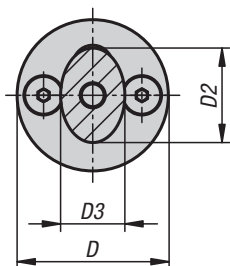
KIPP Pull handles, oval with thru hole

Order No. black powder-coated	Order No. ruby red powder-coated	A	D	D1	D2	H	T	Load capacity N
K0204.11000105	K0204.11002705	100	5,5	21	13	50	13,6	1.000
K0204.11120105	K0204.11122705	112	5,5	21	13	50	13,6	1.000
K0204.11200105	K0204.11202705	120	5,5	21	13	50	13,6	1.000
K0204.11280105	K0204.11282705	128	5,5	21	13	50	13,6	1.000
K0204.11600105	K0204.11602705	160	5,5	21	13	50	13,6	1.000
K0204.11120106	K0204.11122706	112	6,6	25	17	55	11	1.000
K0204.11200106	K0204.11202706	120	6,6	25	17	55	11	1.000
K0204.11280106	K0204.11282706	128	6,6	25	17	55	11	1.000
K0204.11600106	K0204.11602706	160	6,6	25	17	55	11	1.000
K0204.11800106	K0204.11802706	180	6,6	25	17	55	11	1.000

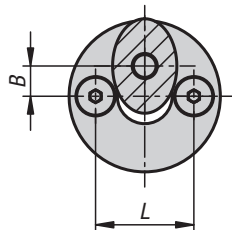
Pull handles oval detachable



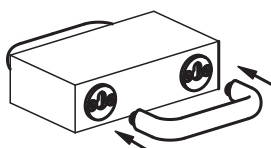
(Position disengaged)



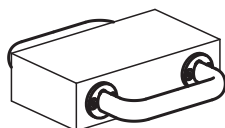
(Position engaged)



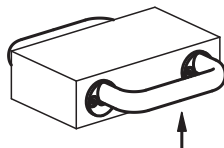
how to use:



Insert



Engage



Lift

Material:

Pull handle oval aluminium EN AW-6060.
Locating pin free-cutting steel 1.0718.
Blanking disc free-cutting steel 1.0718.

Version:

Pull handle black powder-coated.
Locating pin black oxidised.
Blanking disc black oxidised.

Sample order:

K0204.10012001

Note:

The pull handles are mounted on an object by a push-fit system.
Dismantling is carried out when no load is applied.

Application:

Insert the pull handle into the opening until the grip makes contact with the blanking disc.
Lock by holding the handle parallel and pulling up.
The grip can only be subject to vertical loads.
To release, follow the previous instructions in reverse.

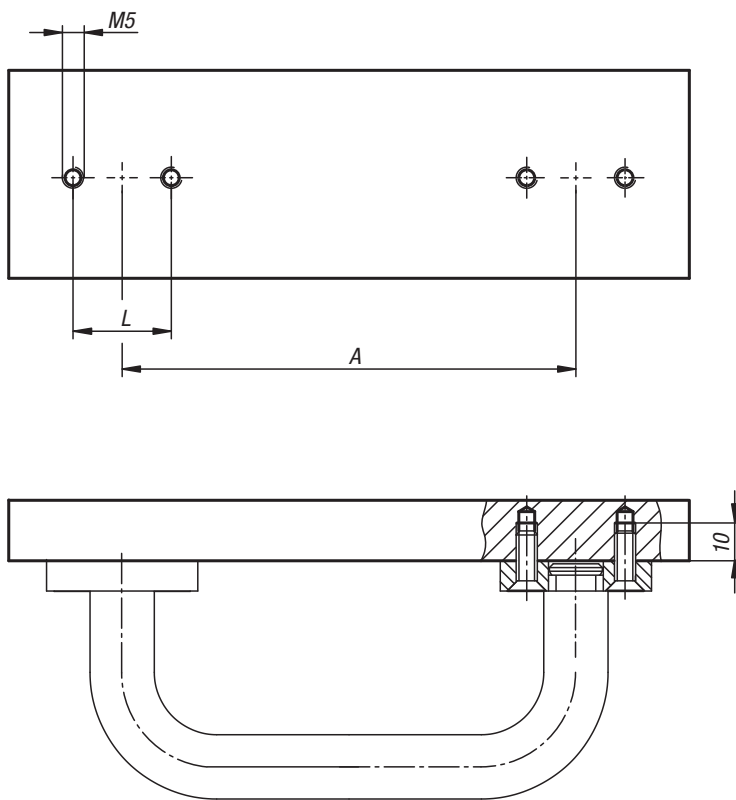
Assembly:

An object must be prepared before the blanking disc can be mounted.
See mounting instructions drawing.

Pull handles oval detachable



mounting instructions:



KIPP Pull handles oval detachable

Order No.	A	D	D1	D2	D3	H	H1	B	L
K0204.10012001	100	35	12	21	13	50	8	7	24
K0204.11212001	112	35	12	21	13	50	8	7	24
K0204.12012001	120	35	12	21	13	50	8	7	24
K0204.12812001	128	35	12	21	13	50	8	7	24
K0204.16012001	160	35	12	21	13	50	8	7	24
K0204.11214001	112	40	14	25	17	55	8	8	26
K0204.12014001	120	40	14	25	17	55	8	8	26
K0204.12814001	128	40	14	25	17	55	8	8	26
K0204.16014001	160	40	14	25	17	55	8	8	26
K0204.18014001	180	40	14	25	17	55	8	8	26
K0204.19214001	192	40	14	25	17	55	8	8	26
K0204.35014001	350	40	14	25	17	55	8	8	26

Pull handles



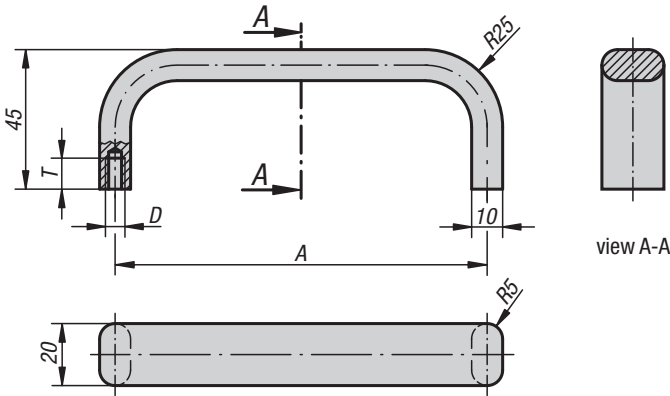
Material:
Profile aluminium EN AW-6060

Version:
Matt-finished, black or natural colour anodized

Sample order:
K0205.18001

Note:
These elegant flat profile aluminium handles are especially suitable for machines, fixtures, equipment etc.

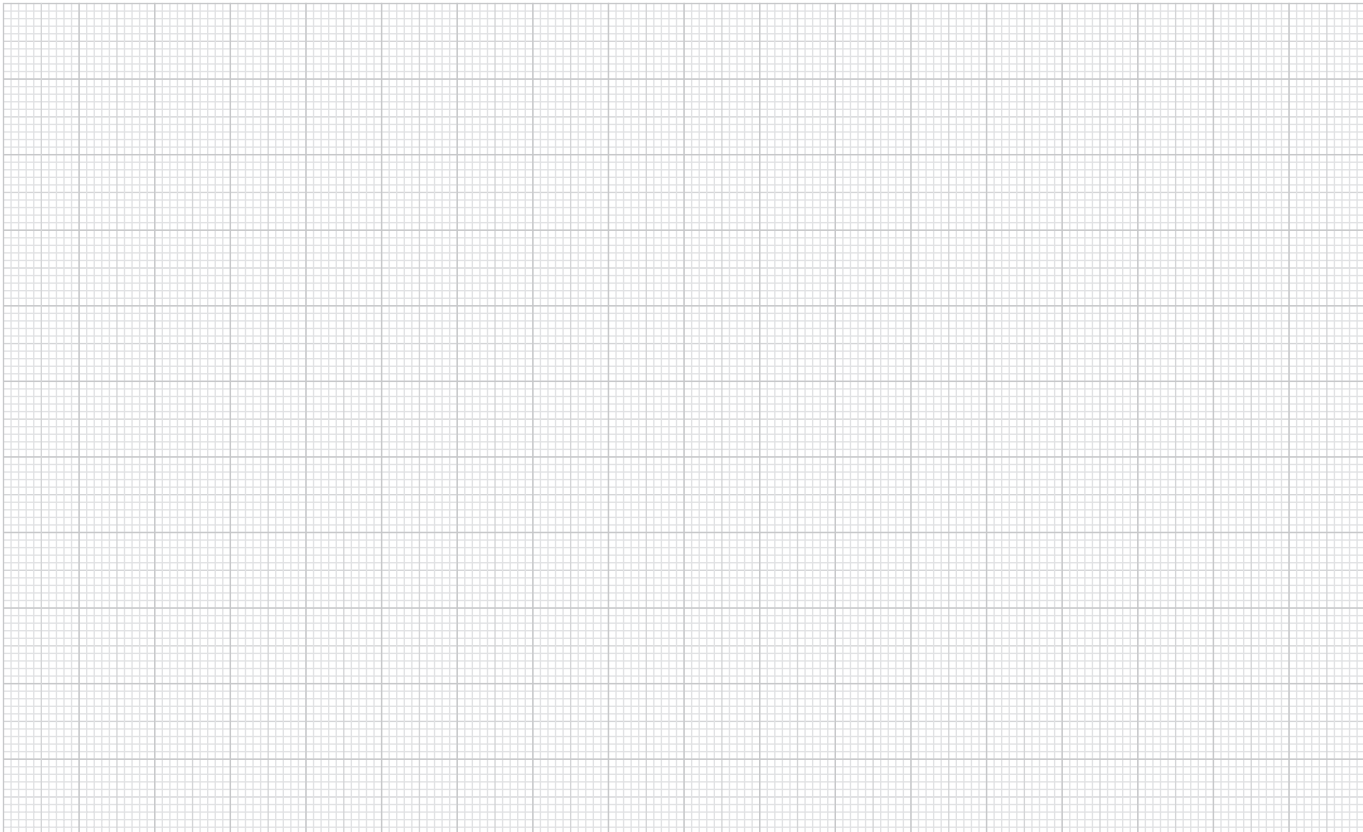
Assembly:
From the rear.



KIPP Pull handles

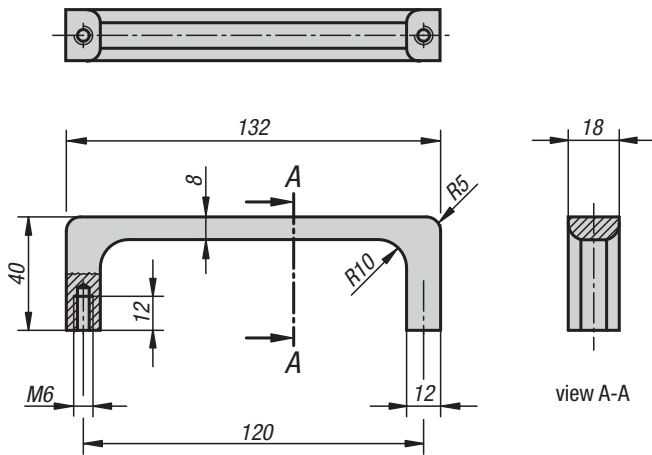
Order No. black anodized	Order No. natural colour anodized	A	D	T	Load capacity N
K0205.12001	K0205.12003	120	M5	10	500
K0205.18001	K0205.18003	180	M5	10	500
K0205.20001	K0205.20003	200	M5	10	500
K0205.35001	K0205.35003	350	M6	12	500

Notes





Form A



Material:

Profile aluminium EN AW-6060

Version:

Matt-finished, black anodized or natural colour anodized

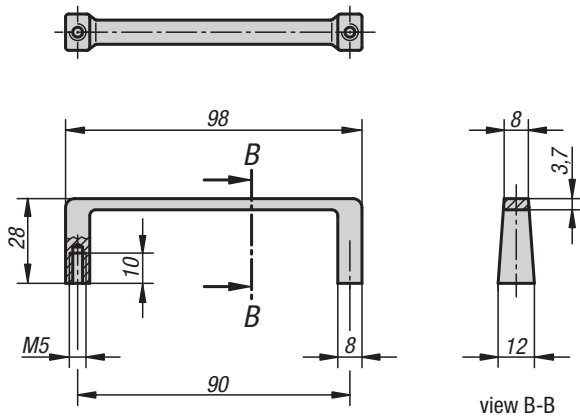
Sample order:

K0213.12001

Assembly:

From the rear.

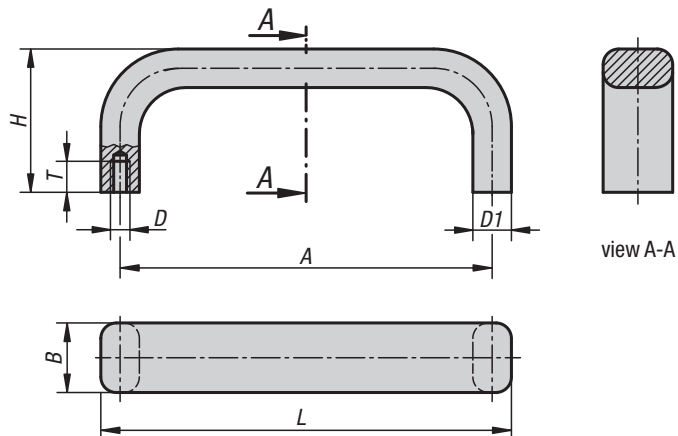
Form B



KIPP Pull handles

Order No.	Form	Version	Load capacity N
K0213.12001	A	black anodized	500
K0213.09001	B	black anodized	300
K0213.12003	A	natural colour anodized	500
K0213.09003	B	natural colour anodized	300

Pull handles



Material:
Aluminium.

Version:
Matt-finished, black anodized or natural colour anodized

Sample order:
K1091.088053

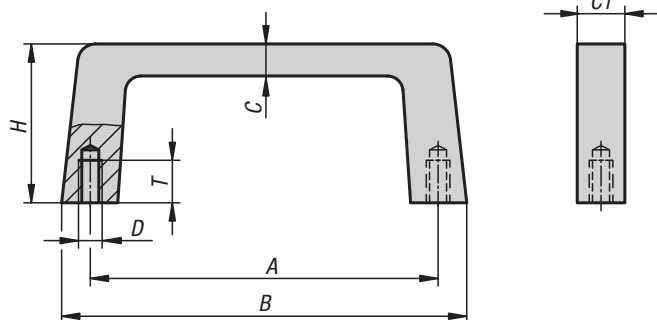
Note for ordering:
Fastening screws included.

Assembly:
From the rear.

KIPP Pull handles

Order No. natural	Order No. black	A	B	D	D1	H	L	T	Load capacity N
K1091.055053	K1091.055051	55	12	M5	8	29	63	10	750
K1091.088053	K1091.088051	88	12	M5	8	29	96	10	750
K1091.100053	K1091.100051	100	12	M5	8	39	108	10	750
K1091.120053	K1091.120051	120	15	M5	10	39	130	10	750
K1091.180053	K1091.180051	180	15	M5	10	39	190	10	750
K1091.235053	K1091.235051	235	15	M5	10	39	245	10	750

Pull handles



Material:
Aluminium.

Version:
Matt-finished, black anodized or natural colour anodized

Sample order:
K1075.088053

Note for ordering:
Fastening screws included.

Assembly:
From the rear.

KIPP Pull handles

Order No. natural	Order No. black	A	B	C	C1	D	H	T	Load capacity N
K1075.055053	K1075.055051	55	69	8	12,2	M5	40	10	750
K1075.088053	K1075.088051	88	102	8	12,2	M5	40	10	750
K1075.120053	K1075.120051	120	134	8	12,2	M5	40	10	750
K1075.180053	K1075.180051	180	194	8	12,2	M5	40	10	750
K1075.235053	-	235	249	8	12,2	M5	40	10	750

Pull handles angled

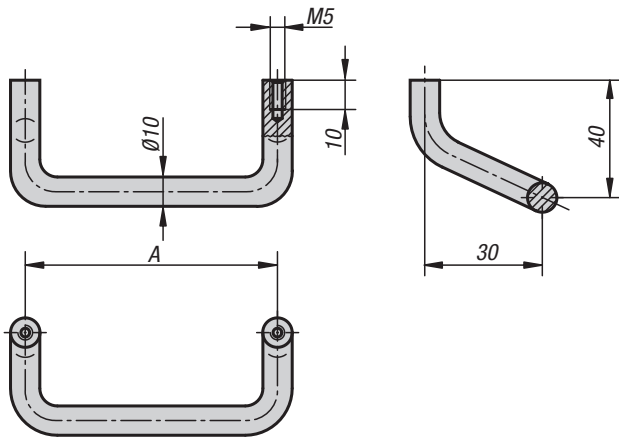


Material:
Aluminium.

Version:
Matt-finished, black anodized or natural colour anodized.

Sample order:
K0219.12001

Assembly:
From the rear.



KIPP Pull handles angled

Order No. black anodized	Order No. natural colour anodized	A	Load capacity N
K0219.08601	K0219.08603	86	500
K0219.12001	K0219.12003	120	500
K0219.18001	K0219.18003	180	500

Pull handles angled



Material:
Round aluminium EN AW-6060

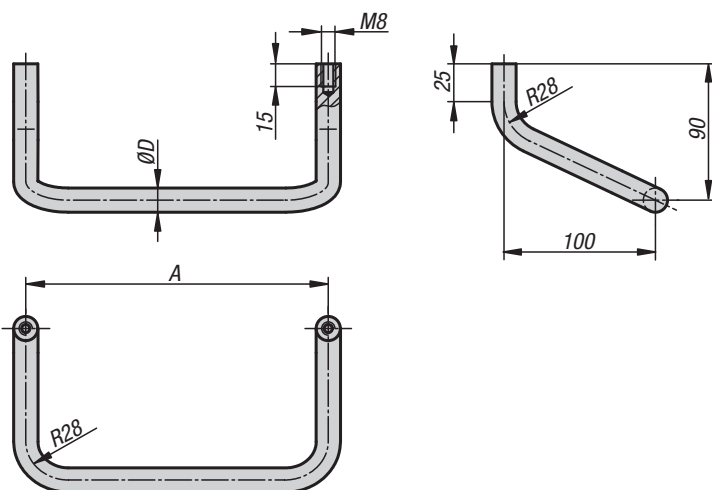
Version:
Ground, glass blasted and matt-gloss black anodized.

Sample order:
K0229.20016

Note:
End washers not included.

Assembly:
From the rear.

On request:
Any handle length.



KIPP Pull handles angled

Order No.	A	D	Load capacity N	Order No. end washer
K0229.20016	200	16	1000	K0229.16
K0229.25016	250	16	1000	K0229.16
K0229.30016	300	16	1000	K0229.16
K0229.40016	400	16	1000	K0229.16
K0229.50018	500	18	1000	K0229.18