

Clamping levers, tension levers, cam levers

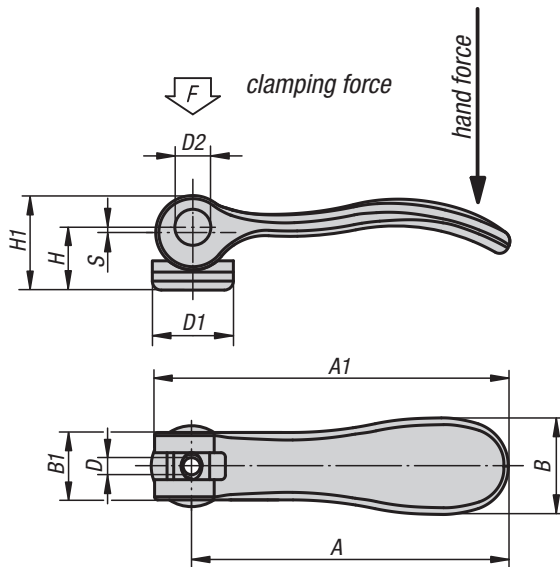


Cam levers

internal and external thread, steel or stainless steel



Cam lever with internal thread



Material:

Handles cast aluminum EN AC-46200.
 Thrust washer plastic PA 66 GF 35-X fibreglass reinforced.
 Hinge pin stainless steel 1.4305.
 Studs and washer steel grade 5.8 or stainless steel 1.4305.

Version:

Handles black powder-coated.
 Thrust washer, black.
 Hinge pin, bright.
 Studs and washer blue chromed steel or bright stainless steel.

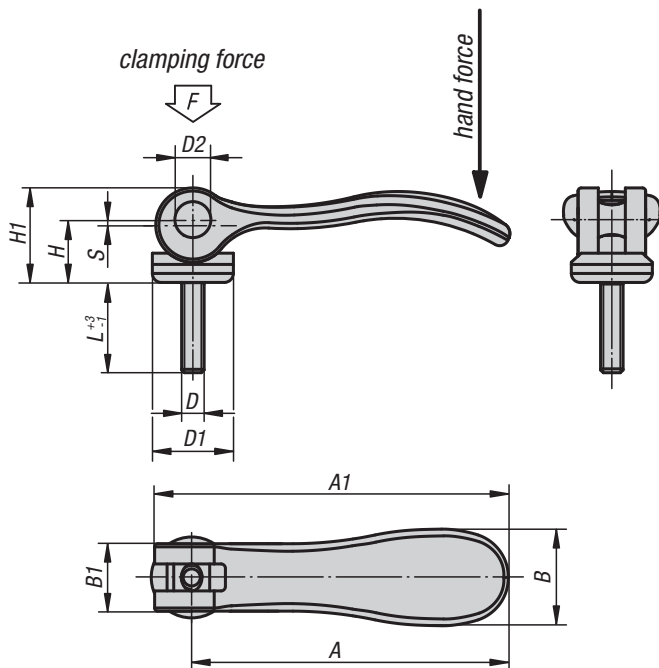
Sample order:

K0005.101105X20 (include length L)

Note:

Plastics are subject to creeping under load (retardation).

Cam lever with external thread



Cam levers

internal and external thread, steel or stainless steel



KIPP Cam levers with internal thread

Order No. steel	Order No. stainless steel	D	D1	D2	B	B1	H	H1	A	A1	Stroke S	Clamping force F (kN)	Hand force N
K0005.9501103	K0005.9511103	M3	12	6	14,4	11,5	9	13	36,2	41,7	1	1,5	90
K0005.9501104	K0005.9511104	M4	12	6	14,4	11,5	9	13	36,2	41,7	1	1,5	90
K0005.0501104	K0005.0511104	M4	15,4	8	18	13	11,2	17	52,3	59,1	1	2,5	100
K0005.0501105	K0005.0511105	M5	15,4	8	18	13	11,2	17	52,3	59,1	1	2,5	100
K0005.1501105	K0005.1511105	M5	18,1	9	21,5	15	14,5	22	70,4	79,2	1,2	4	120
K0005.1501106	K0005.1511106	M6	18,1	9	21,5	15	14,5	22	70,4	79,2	1,2	4	120
K0005.2501108	K0005.2511108	M8	27,1	11	33,3	24	18	28,5	96	108	1,5	8	350

KIPP Cam levers with external thread

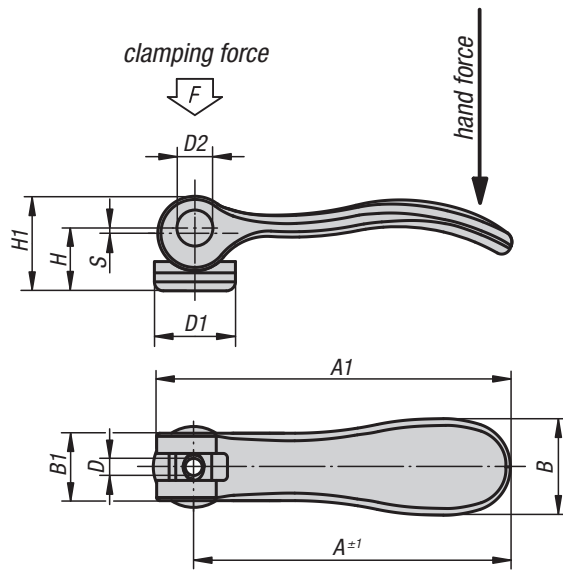
Order No. steel	Order No. stainless steel	D	D1	D2	B	B1	H	H1	A	A1	L	Stroke S	Clamping force F (kN)	Hand force N
K0005.9501103X	K0005.9511103X	M3	12	6	14,4	11,5	9	13	36,2	41,7	10/15/30	1	1,5	90
K0005.9501104X	K0005.9511104X	M4	12	6	14,4	11,5	9	13	36,2	41,7	10/15/30	1	1,5	90
K0005.0501104X	K0005.0511104X	M4	15,4	8	18	13	11,2	17	52,3	59,1	15/20/30	1	2,5	100
K0005.0501105X	K0005.0511105X	M5	15,4	8	18	13	11,2	17	52,3	59,1	20/30/40/50	1	2,5	100
K0005.1501105X	K0005.1511105X	M5	18,1	9	21,5	15	14,5	22	70,4	79,2	20/30/40/50	1,2	4	120
K0005.1501106X	K0005.1511106X	M6	18,1	9	21,5	15	14,5	22	70,4	79,2	20/30/40/50	1,2	4	120
K0005.2501108X	K0005.2511108X	M8	27,1	11	33,3	24	18	28,5	96	108	25/30/40/50	1,5	8	350
K0005.2501110X	K0005.2511110X	M10	27,1	11	33,3	24	18	28,5	96	108	25/30/40/50	1,5	8	350

Cam levers

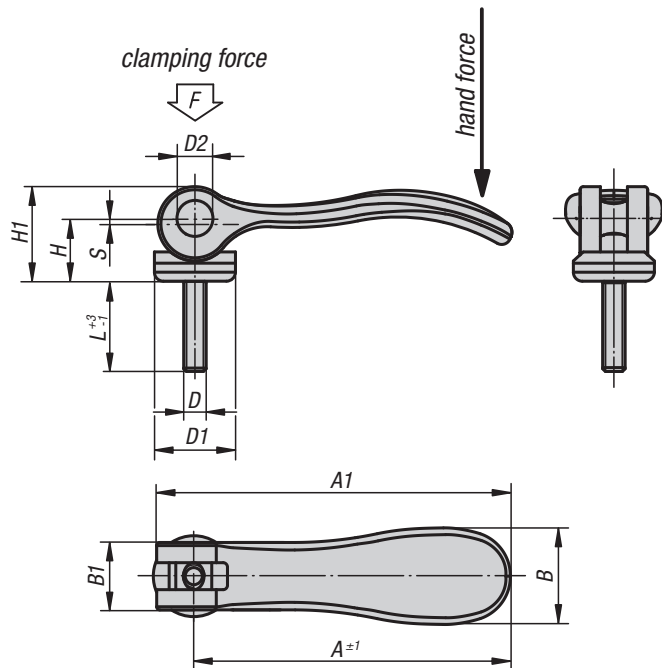
internal and external thread, steel



Cam lever with internal thread



Cam lever with external thread



Material:

Handle steel 1.0401.
Thrust washer plastic PA 66 GF 35-X fibreglass reinforced.
Hinge pin stainless steel 1.4305.
Stud and washer steel, grade 5.8.

Version:

Handle, stud and washer, blue chromed.
Thrust washer black.
Hinge pin bright.

Sample order:

K0788.1502205

Note:

Plastics are subject to creeping under load (retardation).

KIPP Cam levers with internal thread, steel

Order No.	Size	D	D1	D2	B	B1	H	H1	A	A1	Stroke S	Clamping force F (kN)	Hand force N
K0788.1502205	1	M5	18,1	9	21,5	15	14,5	22	70,4	79,2	1,2	4	120
K0788.1502206	1	M6	18,1	9	21,5	15	14,5	22	70,4	79,2	1,2	4	120
K0788.2502208	2	M8	27,1	11	33,3	24	18	28,5	96	108	1,5	8	350

KIPP Cam levers with external thread, steel

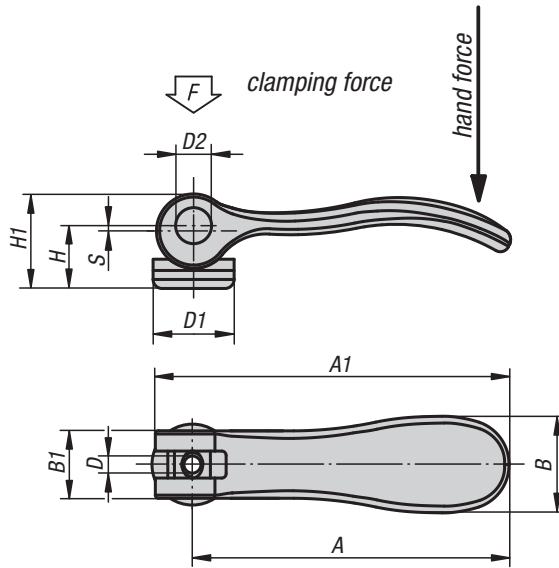
Order No.	Size	D	D1	D2	B	B1	H	H1	A	A1	L	Stroke S	Clamping force F (kN)	Hand force N
K0788.1502205X	1	M5	18,1	9	21,5	15	14,5	22	70,4	79,2	20/30/40/50	1,2	4	120
K0788.1502206X	1	M6	18,1	9	21,5	15	14,5	22	70,4	79,2	20/30/40/50	1,2	4	120
K0788.2502208X	2	M8	27,1	11	33,3	24	18	28,5	96	108	25/30/40/50	1,5	8	350
K0788.2502210X	2	M10	27,1	11	33,3	24	18	28,5	96	108	25/30/40/50	1,5	8	350

Cam levers

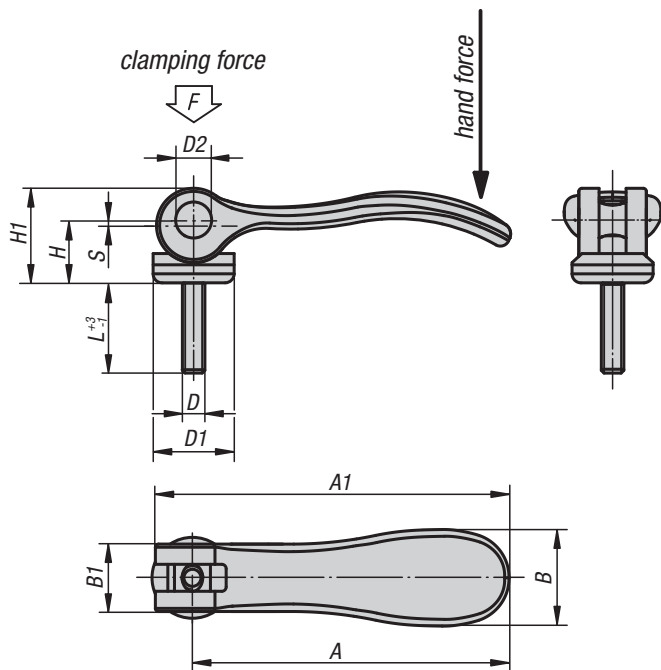
internal and external thread, stainless steel



Cam lever with internal thread



Cam lever with external thread



Material:

Handles 1.4308.

Thrust washer plastic PA 66 GF 35-X fiberglass reinforced.

Hinge pin, washer and screw 1.4305.

Version:

Handle electrolytic polished.

Thrust washer, black.

Hinge pin, washer and screw, bright.

Sample order:

K0645.1512005X20 (include length L)

Note:

Plastics are subject to creeping under load (retardation).

KIPP Cam levers with internal thread, stainless steel

Order No.	D	D1	D2	B	B1	H	H1	A	A1	Stroke S	Clamping force F (kN)	Hand force N
K0645.1512005	M5	18,1	9	21,5	15	14,5	22	70,4	79,2	1,2	4	120
K0645.1512006	M6	18,1	9	21,5	15	14,5	22	70,4	79,2	1,2	4	120
K0645.2512008	M8	27,1	11	33,3	24	18	28,5	96	108	1,5	8	350

KIPP Cam levers with external thread, stainless steel

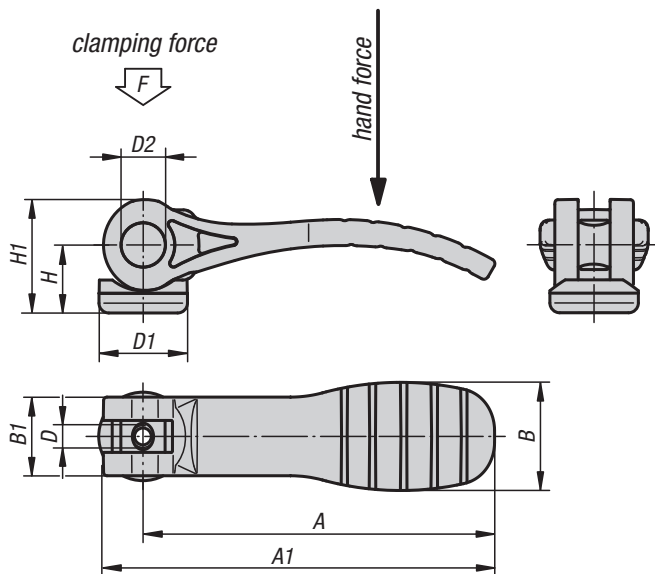
Order No.	D	D1	D2	B	B1	H	H1	A	A1	L	Stroke S	Clamping force F (kN)	Hand force N
K0645.1512005X	M5	18,1	9	21,5	15	14,5	22	70,4	79,5	20/30/40/50	1,2	4	120
K0645.1512006X	M6	18,1	9	21,5	15	14,5	22	70,4	79,5	20/30/40/50	1,2	4	120
K0645.2512008X	M8	27,1	11	33,3	24	18	28,5	96	108	25/30/40/50	1,5	8	350
K0645.2512010X	M10	27,1	11	33,3	24	18	28,5	96	108	25/30/40/50	1,5	8	350

Cam levers with plastic handle

internal and external thread, steel or stainless steel



Cam lever with internal thread



Material:

Handles and thrust washer plastic PA 66 fibreglass reinforced.
Hinge pins stainless steel 1.4305.
Studs and washer steel grade 5.8 or stainless steel 1.4305.

Version:

Handle and thrust washer, black.
Hinge pin, bright.
Studs and washer blue chromed or bright stainless steel.

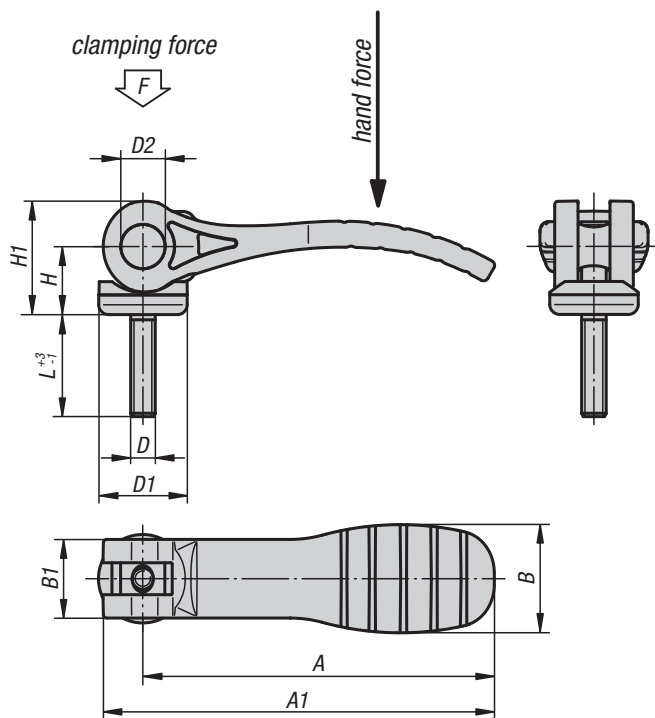
Sample order:

K0646.1521105X20 (include length L)

Note:

Plastics are subject to creeping under load (retardation), this can cause reduced clamping force.

Cam lever with external thread



KIPP Cam levers with plastic handle and internal thread

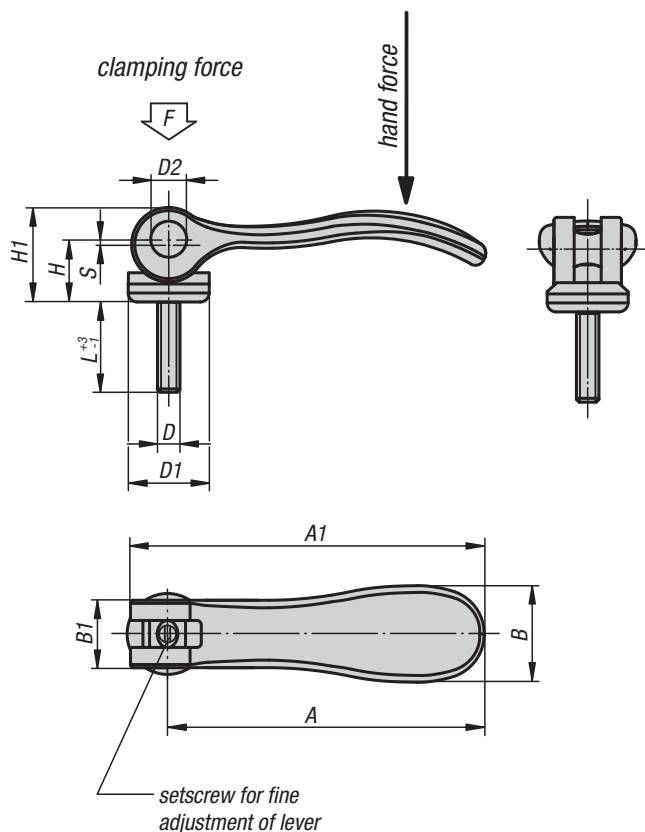
Order No. steel	Order No. stainless steel	D	D1	D2	B	B1	H	H1	A	A1	Travel	Clamping force F (kN)	Hand force N
K0646.1521105	K0646.1531105	M5	18,1	9	22	16	14	23,4	71,5	79,6	1,15	2,5	125
K0646.1521106	K0646.1531106	M6	18,1	9	22	16	14	23,4	71,5	79,6	1,15	2,5	125
K0646.2521108	K0646.2531108	M8	27,1	11	33	24,2	16,2	27,7	100	110	1,5	5	170

KIPP Cam levers with plastic handle and external thread

Order No. steel	Order No. stainless steel	D	D1	D2	B	B1	H	H1	A	A1	L	Travel	Clamping force F (kN)	Hand force N
K0646.1521105X	K0646.1531105X	M5	18,1	9	22	16	14	23,4	71,5	79,6	20/30/40/50	1,15	2,5	125
K0646.1521106X	K0646.1531106X	M6	18,1	9	22	16	14	23,4	71,5	79,6	20/30/40/50	1,15	2,5	125
K0646.2521108X	K0646.2531108X	M8	27,1	11	33	24,2	16,2	27,7	100	110	25/30/40/50	1,5	5	170
K0646.2521110X	K0646.2531110X	M10	27,1	11	33	24,2	16,2	27,7	100	110	25/30/40/50	1,5	5	170

Cam levers adjustable

external thread, steel or stainless steel



Material:

Handles cast aluminium EN AC-46200.
 Thrust washer plastic PA 66 GF 35-X fiberglass reinforced.
 Hinge pins stainless steel 1.4305.
 Studs and washer steel grade 5.8 or stainless steel 1.4305.

Version:

Handles powder-coated, black.
 Thrust washer, black.
 Hinge pins, bright.
 Studs and washer blue chromed steel or bright stainless steel.

Sample order:

K0006.9501103X10 (include length L)

Note:

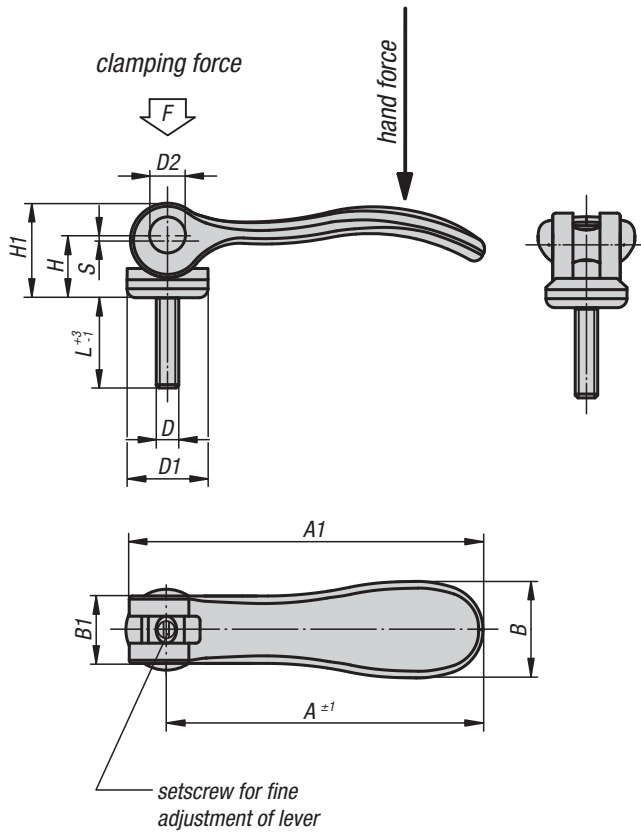
Adjustable cam levers are used if the position of the lever relative to the axis of tension only permits one specific position (interference circle). The exact position of the lever is adjusted using a screwdriver on the fine thread setscrew.
 Plastics are subject to creeping under load (retardation).

KIPP Cam levers adjustable, with external thread

Order No. steel	Order No. stainless steel	D	D1	D2	B	B1	H	H1	A	A1	L	Stroke S	Clamping force F (kN)	Hand force N
K0006.9501103X	K0006.9511103X	M3	12	6	14,4	11,5	9	13	36,2	41,7	10/15/30	1	1,5	90
K0006.9501104X	K0006.9511104X	M4	12	6	14,4	11,5	9	13	36,2	41,7	10/15/30	1	1,5	90
K0006.0501104X	K0006.0511104X	M4	15,4	8	18	13	11,2	17	52,3	59,1	15/20/30	1	2,5	100
K0006.0501105X	K0006.0511105X	M5	15,4	8	18	13	11,2	17	52,3	59,1	20/30/40/50	1	2,5	100
K0006.1501105X	K0006.1511105X	M5	18,1	9	21,5	15	14,5	22	70,4	79,2	20/30/40/50	1,2	4	120
K0006.1501106X	K0006.1511106X	M6	18,1	9	21,5	15	14,5	22	70,4	79,2	20/30/40/50	1,2	4	120
K0006.2501108X	K0006.2511108X	M8	27,1	11	33,3	24	18	28,5	96	108	25/30/40/50	1,5	8	350
K0006.2501110X	K0006.2511110X	M10	27,1	11	33,3	24	18	28,5	96	108	25/30/40/50	1,5	8	350

Cam levers adjustable

external thread, steel



Material:

Handle steel 1.0401.
 Thrust washer plastic PA 66 GF 35-X fibreglass reinforced.
 Hinge pin stainless steel 1.4305.
 Stud and washer steel, grade 5.8.

Version:

Handle, stud and washer, blue chromed.
 Thrust washer black.
 Hinge pin bright.

Sample order:

K0789.1502205X20

Note:

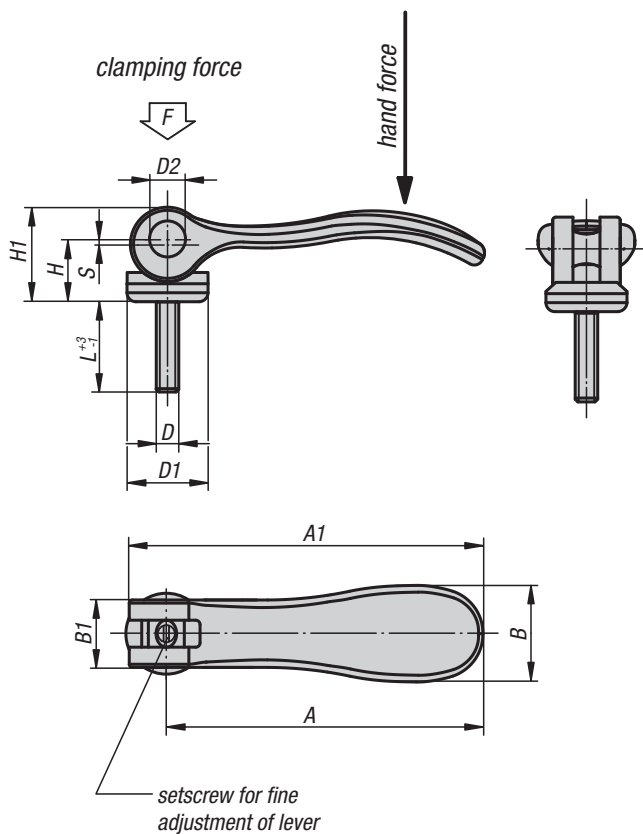
Adjustable cam levers are used if the position of the lever relative to the axis of tension only permits one specific position (interference circle). The exact position of the lever is adjusted using a screwdriver on the fine thread setscrew.
 Plastics are subject to creeping under load (retardation).

KIPP Cam levers, adjustable, external thread, steel

Order No.	Size	D	D1	D2	B	B1	H	H1	A	A1	L	Stroke S	Clamping force F (kN)	Hand force N
K0789.1502205X	1	M5	18,1	9	21,5	15	14,5	22	70,4	79,2	20/30/40/50	1,2	4	120
K0789.1502206X	1	M6	18,1	9	21,5	15	14,5	22	70,4	79,2	20/30/40/50	1,2	4	120
K0789.2502208X	2	M8	27,1	11	33,3	24	18	28,5	96	108	25/30/40/50	1,5	8	350
K0789.2502210X	2	M10	27,1	11	33,3	24	18	28,5	96	108	25/30/40/50	1,5	8	350

Cam levers adjustable

external thread, stainless steel



Material:

Handles 1.4308.
Thrust washer plastic PA 66 GF 35-X fibreglass reinforced.
Hinge pin, washer and screw 1.4305.

Version:

Handle electrolytic polished.
Thrust washer, black.
Hinge pin, washer and screw, bright.

Sample order:

K0647.1512005X20 (include length L)

Note:

Adjustable cam levers are used if the position of the lever relative to the axis of tension only permits one specific position (interference circle). The exact position of the lever is adjusted using a screwdriver on the fine thread setscrew.

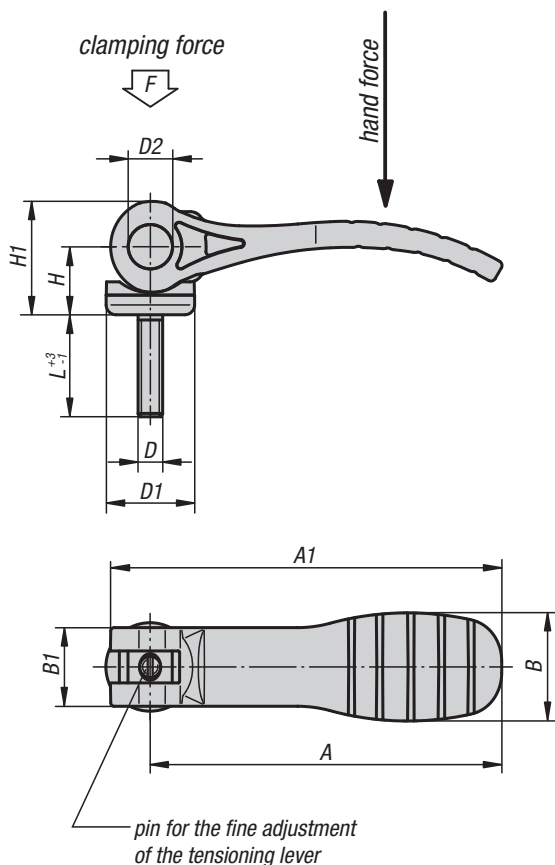
Plastics are subject to creeping under load (retardation).

KIPP Cam levers, adjustable, external thread, stainless steel

Order No.	D	D1	D2	B	B1	H	H1	A	A1	L	Stroke S	Clamping force F (kN)	Hand force N
K0647.9512003X	M3	12	6	14,4	11,5	9	13	36,2	41,7	10/15/30	1	1,5	90
K0647.9512004X	M4	12	6	14,4	11,5	9	13	36,2	41,7	10/15/30	1	1,5	90
K0647.0512004X	M4	15,4	8	18	13	11,2	17	52,3	59,1	15/20/30	1	2,5	100
K0647.0512005X	M5	15,4	8	18	13	11,2	17	52,3	59,1	20/30/40/50	1	2,5	100
K0647.1512005X	M5	18,1	9	21,5	15	14,5	22	70,4	79,2	20/30/40/50	1,2	4	120
K0647.1512006X	M6	18,1	9	21,5	15	14,5	22	70,4	79,2	20/30/40/50	1,2	4	120
K0647.2512008X	M8	27,1	11	33,3	24	18	28,5	96	108	25/30/40/50	1,5	8	350
K0647.2512010X	M10	27,1	11	33,3	24	18	28,5	96	108	25/30/40/50	1,5	8	350

Cam levers adjustable with plastic handle

external thread, steel or stainless steel



Material:

Handles and thrust washer plastic PA 66 fibreglass reinforced.
Hinge pins stainless steel 1.4305.
Studs and washer steel grade 5.8 or stainless steel 1.4305.

Version:

Handles and thrust washer black.
Hinge pins, bright.
Studs and washer blue chromed steel or bright stainless steel.

Sample order:

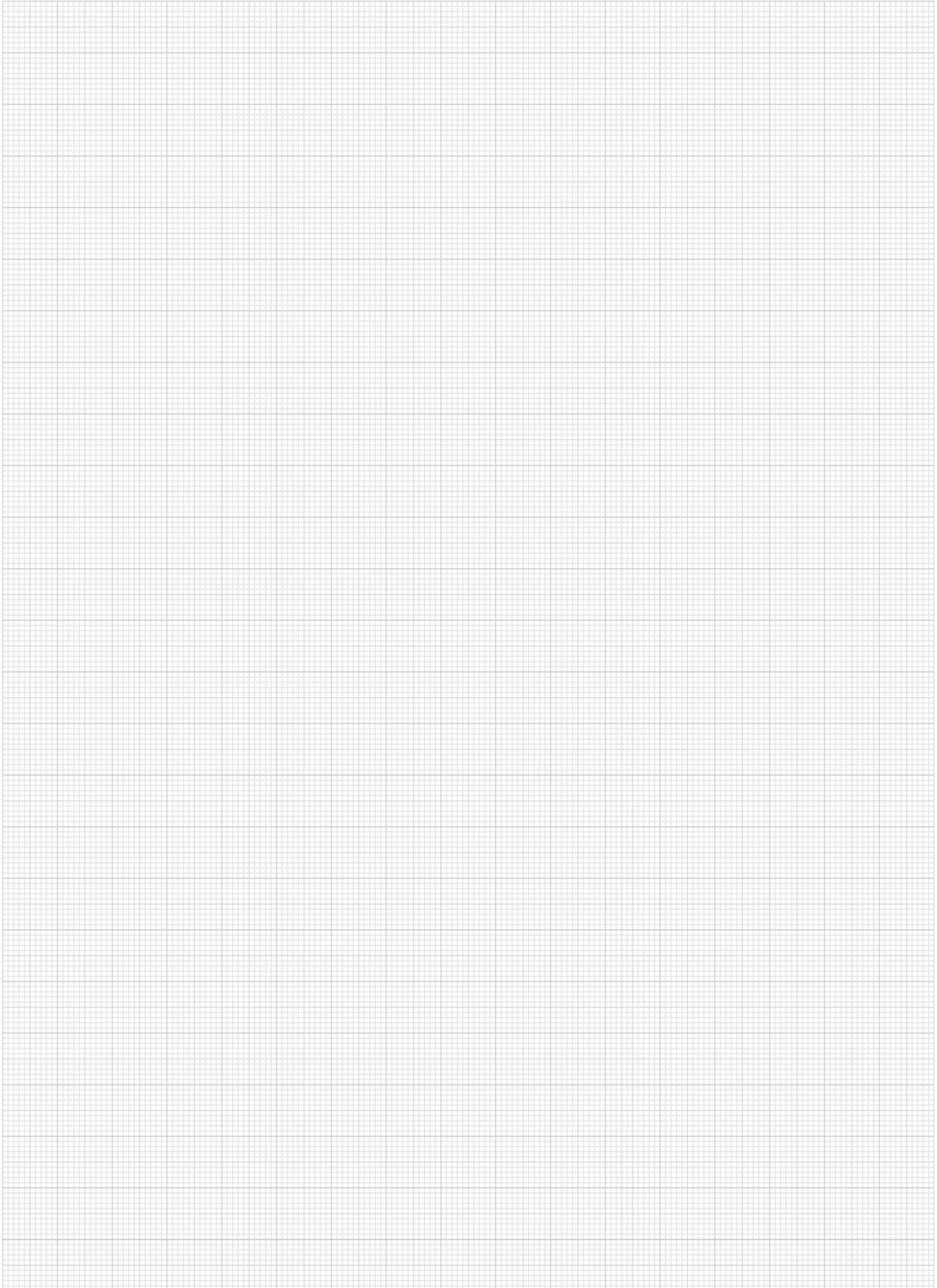
K0648.1521105X20 (include length L)

Note:

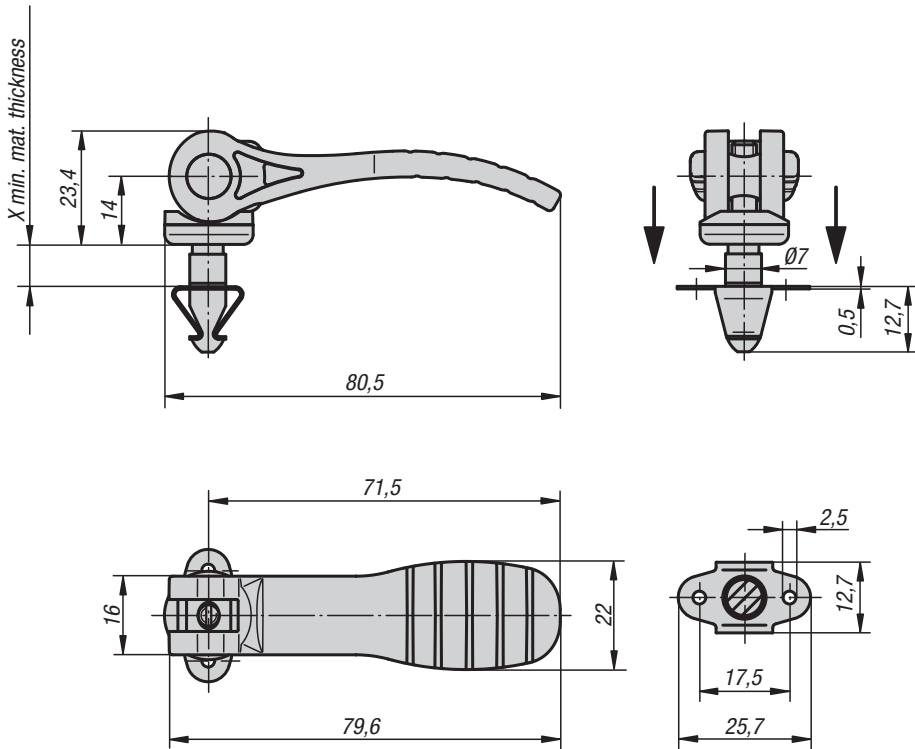
Adjustable cam levers are used if the position of the lever relative to the axis of tension only permits one specific position (interference circle). The exact position of the lever is adjusted using a screwdriver on the fine thread setscrew.
Plastics are subject to creeping under load (retardation), this can cause reduced clamping force.

KIPP Cam levers, adjustable with plastic handle, external thread

Order No. steel	Order No. stainless steel	D	D1	D2	B	B1	H	H1	A	A1	L	Travel	Clamping force F (kN)	Hand force N
K0648.1521105X	K0648.1531105X	M5	18,1	9	22	16	14	23,4	71,5	79,6	20/30/40/50	1,15	2,5	125
K0648.1521106X	K0648.1531106X	M6	18,1	9	22	16	14	23,4	71,5	79,6	20/30/40/50	1,15	2,5	125
K0648.2521108X	K0648.2531108X	M8	27,1	11	33	24	16,2	27,7	100	110	25/30/40/50	1,5	5	170
K0648.2521110X	K0648.2531110X	M10	27,1	11	33	24	16,2	27,7	100	110	25/30/40/50	1,5	5	170



Cam levers with quick lock



Material, version:

Handle and thrust washer fibreglass reinforced plastic PA66, black.
 Hinge pins stainless steel 1.4305, bright.
 Lock pin steel 1.0718, blue chromed.
 Spring clip stainless steel 1.4310, passivated.

Sample order:

K0751.121107X2

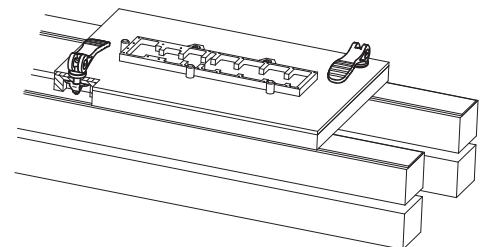
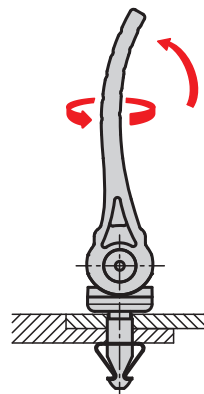
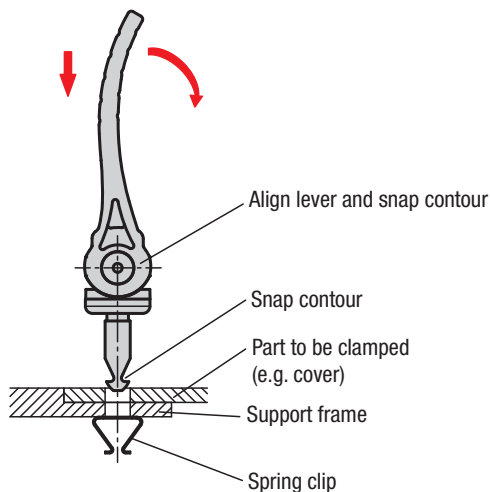
Note:

A sheet metal element can be positioned by engaging the spring clip. The sheet metal element is then clamped using the handle.
 Plastics are subject to creeping under load (retardation), this can cause reduced clamping force.

Installation instructions for cam levers with quick lock

Push in to install
 Swivel grip up to clamp

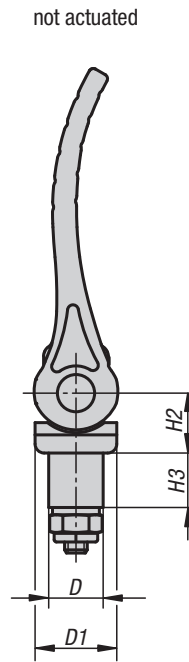
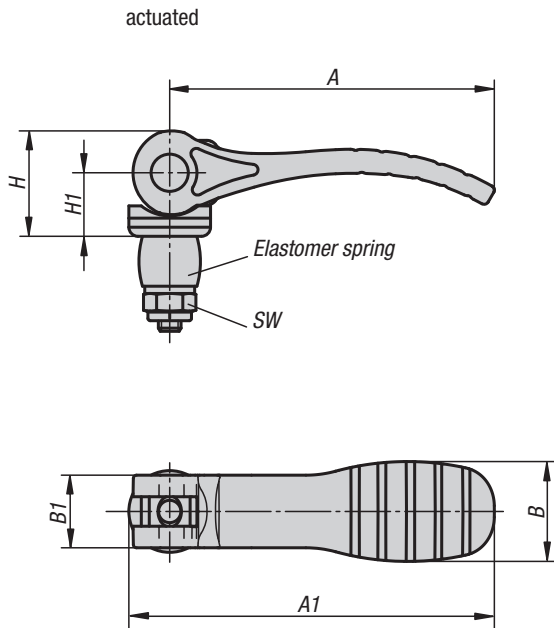
Swivel grip up and twist to loosen



KIPP Cam levers with quick lock

Order No.	X min. Material thickness	Clamping force ca. N
K0751.121107X2	2	500
K0751.121107X4	4	500
K0751.121107X6	6	500
K0751.121107X8	8	500

Cam lever with elastomer lock



Material:

Handle and thrust washer fibreglass reinforced plastic PA 66.
Hinge pin stainless steel 1.4305.
Stud and washer steel grade 5.8
PUR elastomer spring.

Version:

Handles and thrust washer black.
Hinge pins, bright.
Studs and washer, blue chromated.
Hexagon nut with clamping element and thrust washer, blue chromated.

Sample order:

K0118.121112X12

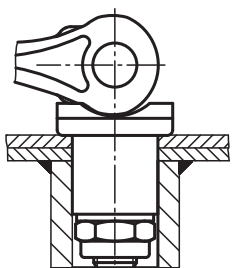
Note:

Actuating the handle causes the elastomer spring to expand and form to the surrounding surface. The amount of expansion of the elastomer spring and hence the clamping force can be adjusted using the nut with clamping element. Simultaneously, the clamping element nut ensures that the preset clamping force remains unchanged when the clamp is released.

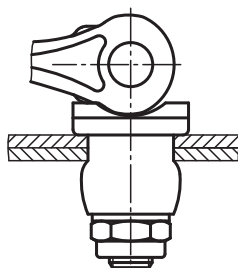
Application:

The specified holding forces are not suitable for constant loads. We would be happy to supply samples to test on your application.

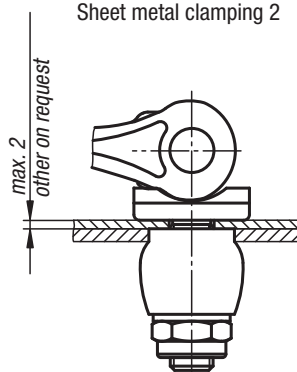
Full clamping bore



Sheet metal clamping 1



Sheet metal clamping 2

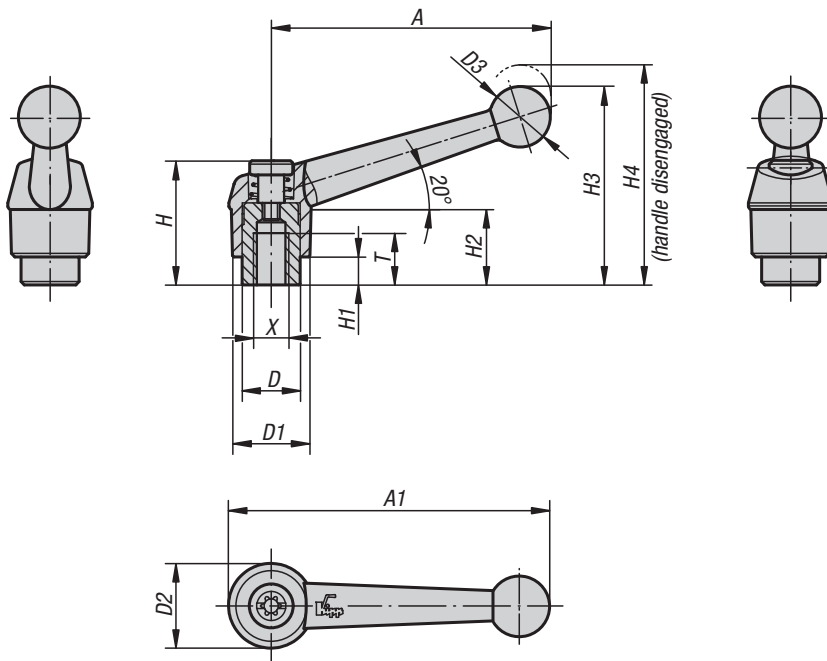


KIPP Cam levers with elastomer lock

Order No.	Size	D	D1	B	B1	H	H1	H2	H3	A	A1	SW	Clamping force ca. N clamp bore (no permanent load)	Clamping force ca. N plate clamping (no permanent load)
K0118.121112X12	1	12	18,1	22	16	23,2	14	12,85	12	71,5	79,6	10	100	50
K0118.121114X12	1	14	18,1	22	16	23,2	14	12,85	12	71,5	79,6	10	150	60
K0118.221116X20	2	16	27,1	33	24	27,8	16,2	14,7	20	99,9	110	13	350	60
K0118.221118X20	2	18	27,1	33	24	27,8	16,2	14,7	20	99,9	110	13	350	100
K0118.221120X20	2	20	27,1	33	24	27,8	16,2	14,7	20	99,9	110	16	350	100

Clamping levers

internal thread



Material:

Handle die-cast zinc DIN EN 12844.
Steel parts grade 5.8.

Version:

Handle plastic-coated,
steel parts black oxidised.

Sample order:

K0116.4103

Note:

Standard colours are:
black satin finish, silver metallic.

On request:

Other internal threads, colours and special versions.
Dimension „H1“ available in other lengths at extra charge.

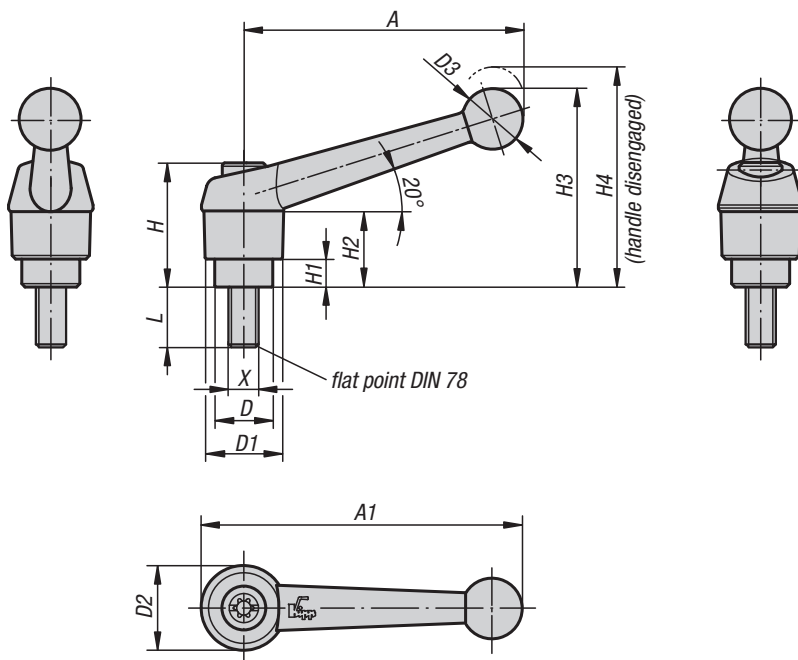


KIPP Clamping levers with internal thread

Order No. black satin finish	Order No. silver metallic	Size	X	T	D	D1	D2	D3	H	H1	H2	H3	H4	A	A1	No. of teeth
K0116.1041	K0116.1043	1	M4	9	10	13	14	10,5	24,5	4	15	32,5	35,5	39	46	16
K0116.1051	K0116.1053	1	M5	9	10	13	14	10,5	24,5	4	15	32,5	35,5	39	46	16
K0116.1061	K0116.1063	1	M6	9	10	13	14	10,5	24,5	4	15	32,5	35,5	39	46	16
K0116.2061	K0116.2063	2	M6	12	13,5	18	18,5	15,5	28,5	6,5	16,5	45,5	49,5	64	73	20
K0116.2081	K0116.2083	2	M8	12	13,5	18	18,5	15,5	28,5	6,5	16,5	45,5	49,5	64	73	20
K0116.3081	K0116.3083	3	M8	14	16	21	22	17	37	10	23	57,5	61,5	79	90	22
K0116.3101	K0116.3103	3	M10	14	16	21	22	17	37	10	23	57,5	61,5	79	90	22
K0116.4101	K0116.4103	4	M10	17	19	25	26	19	42,5	10	26	67	72	95	108	24
K0116.4121	K0116.4123	4	M12	17	19	25	26	19	42,5	10	26	67	72	95	108	24
K0116.5121	K0116.5123	5	M12	23	23	30	31	22	49	12	32	79	84	110	126	26
K0116.5161	K0116.5163	5	M16	23	23	30	31	22	49	12	32	79	84	110	126	26

Clamping levers

external thread



Material:

Handle die-cast zinc DIN EN 12844.
Steel parts grade 5.8.

Version:

Handle plastic-coated.
Steel black oxidised.

Sample order:

K0116.1051X20 (include length L)

Note:

Standard colours are:
black satin finish, silver metallic.

On request:

Other external threads, screw lengths, colours and special versions.
Dimension „H1“ available in other lengths at extra charge.



KIPP Specifications

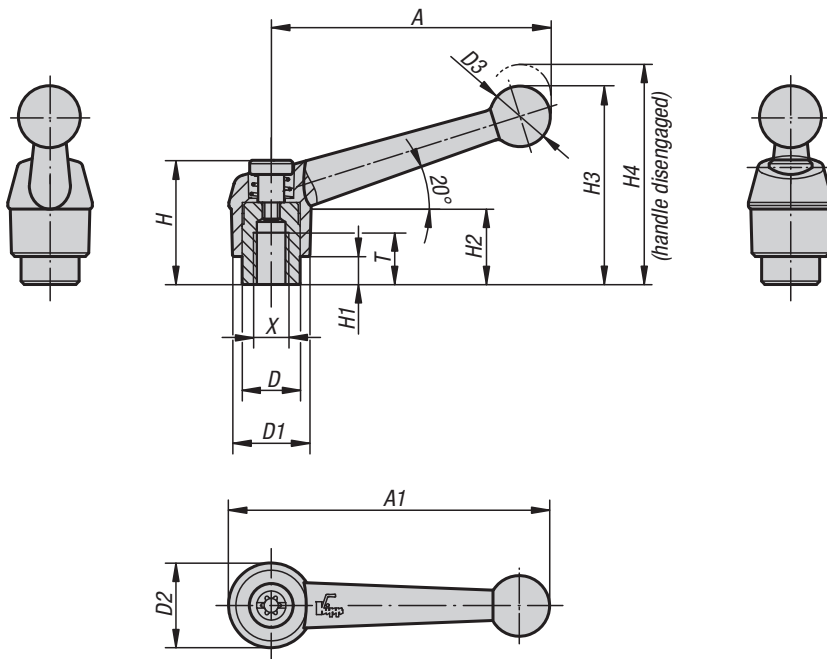
Size	X	D	D1	D2	D3	H	H1	H2	H3	H4	A	A1	No. of teeth
1	M5/M6	10	13	14	10,5	24,5	4	15	32,5	35,5	39	46	16
2	M6/M8/M10	13,5	18	18,5	15,5	28,5	6,5	16,5	45,5	49,5	64	73	20
3	M8/M10	16	21	22	17	37	10	23	57,5	61,5	79	90	22
4	M10/M12	19	25	26	19	42,5	10	26	67	72	95	108	24
5	M12/M16	23	30	31	22	49	12	32	79	84	110	126	26

KIPP Clamping levers with external thread

Order No. black satin finish	Order No. silver metallic	Size	X	L
K0116.1051X	K0116.1053X	1	M5	10/15/20/25/30/35/40/45/50
K0116.1061X	K0116.1063X	1	M6	10/15/20/25/30/35/40/45/50
K0116.2061X	K0116.2063X	2	M6	15/20/25/30/35/40/45/50/55/60
K0116.2081X	K0116.2083X	2	M8	15/20/25/30/35/40/45/50/55/60
K0116.2101X	K0116.2103X	2	M10	15/20/25/30/35/40/45/50/55/60
K0116.3081X	K0116.3083X	3	M8	15/20/25/30/35/40/45/50/55/60
K0116.3101X	K0116.3103X	3	M10	15/20/25/30/35/40/45/50/55/60
K0116.4101X	K0116.4103X	4	M10	20/25/30/35/40/45/50/55/60/70/80/90
K0116.4121X	K0116.4123X	4	M12	20/25/30/35/40/45/50/55/60/70/80/90
K0116.5121X	K0116.5123X	5	M12	25/30/35/40/45/50/55/60/70/80/90
K0116.5161X	K0116.5163X	5	M16	25/30/35/40/45/50/55/60/70/80/90

Clamping levers

internal thread, steel parts stainless steel



Material:

Handle die-cast zinc DIN EN 12844.
Steel parts stainless steel 1.4305.

Version:

Handle plastic-coated.
Steel parts bright.

Sample order:

K0117.2061

Note:

Standard colours are:
black satin finish, silver metallic.

On request:

Other internal threads, colours and special versions.
Dimension „H1“ available in other lengths at extra charge.

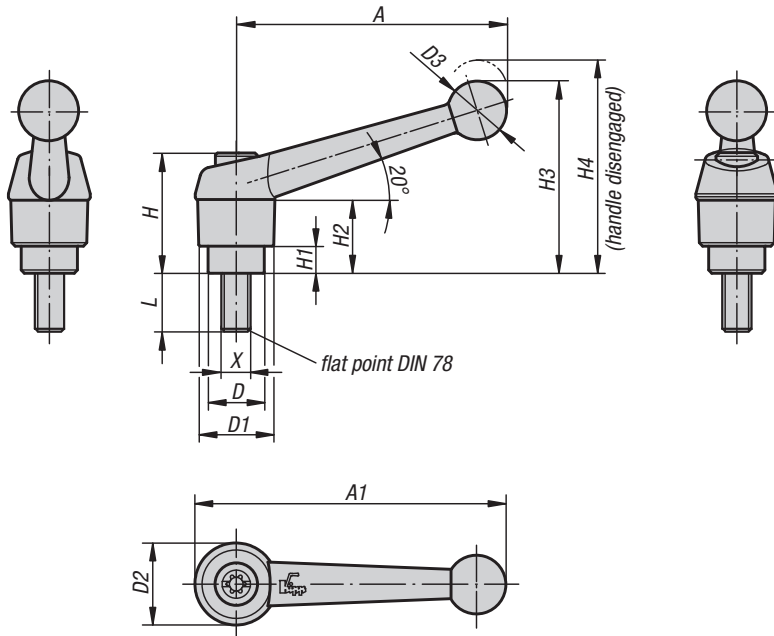


KIPP Clamping levers with internal thread, steel parts stainless steel

Order No. black satin finish	Order No. silver metallic	Size	X	T	D	D1	D2	D3	H	H1	H2	H3	H4	A	A1	No. of teeth
K0117.1041	K0117.1043	1	M4	9	10	13	14	10,5	24,5	4	15	32,5	35,5	39	46	16
K0117.1051	K0117.1053	1	M5	9	10	13	14	10,5	24,5	4	15	32,5	35,5	39	46	16
K0117.1061	K0117.1063	1	M6	9	10	13	14	10,5	24,5	4	15	32,5	35,5	39	46	16
K0117.2061	K0117.2063	2	M6	12	13,5	18	18,5	15,5	28,5	6,5	16,5	45,5	49,5	64	73	20
K0117.2081	K0117.2083	2	M8	12	13,5	18	18,5	15,5	28,5	6,5	16,5	45,5	49,5	64	73	20
K0117.3081	K0117.3083	3	M8	14	16	21	22	17	37	10	23	57,5	61,5	79	90	22
K0117.3101	K0117.3103	3	M10	14	16	21	22	17	37	10	23	57,5	61,5	79	90	22
K0117.4101	K0117.4103	4	M10	17	19	25	26	19	42,5	10	26	67	72	95	108	24
K0117.4121	K0117.4123	4	M12	17	19	25	26	19	42,5	10	26	67	72	95	108	24
K0117.5121	K0117.5123	5	M12	23	23	30	31	22	49	12	32	79	84	110	126	26
K0117.5161	K0117.5163	5	M16	23	23	30	31	22	49	12	32	79	84	110	126	26

Clamping levers

external thread, steel parts stainless steel



Material:

Handle die-cast zinc DIN EN 12844.
Steel parts stainless steel 1.4305.

Version:

Handle plastic-coated.
Stainless steel bright.

Sample order:

K0117.1051X20 (include length L)

Note:

Standard colours are:
black satin finish, silver metallic.

On request:

Other external threads, screw lengths, colours and special versions.
Dimension „H1“ available in other lengths at extra charge.

KIPP Specifications

Size	X	D	D1	D2	D3	H	H1	H2	H3	H4	A	A1	No. of teeth
1	M5/M6	10	13	14	10,5	24,5	4	15	32,5	35,5	39	46	16
2	M6/M8/M10	13,5	18	18,5	15,5	28,5	6,5	16,5	45,5	49,5	64	73	20
3	M8/M10	16	21	22	17	37	10	23	57,5	61,5	79	90	22
4	M12	19	25	26	19	42,5	10	26	67	72	95	108	24
5	M16	23	30	31	22	49	12	32	79	84	110	126	26

KIPP Clamping levers with external thread, steel parts stainless steel

Order No. black satin finish	Order No. silver metallic	Size	X	L
K0117.1051X	K0117.1053X	1	M5	10/15/20/25
K0117.1061X	K0117.1063X	1	M6	10/15/20/25/30/40/50
K0117.2061X	K0117.2063X	2	M6	15/20/25/30/40/50/60
K0117.2081X	K0117.2083X	2	M8	15/20/25/30/40/50/60
K0117.2101X	K0117.2103X	2	M10	20/25/30/40/50/60
K0117.3081X	K0117.3083X	3	M8	20/25/30/40/50/60
K0117.3101X	K0117.3103X	3	M10	20/25/30/40/50/60
K0117.4121X	K0117.4123X	4	M12	25/30/40/50/60
K0117.5161X	K0117.5163X	5	M16	30/40/50/60

Clamping levers steel

internal thread



Material:

Handle 1.0401.

All other steel parts grade 5.8.

Version:

Handle painted silver-grey hammertone.

Steel parts black oxidised.

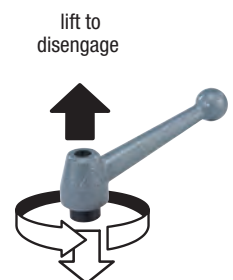
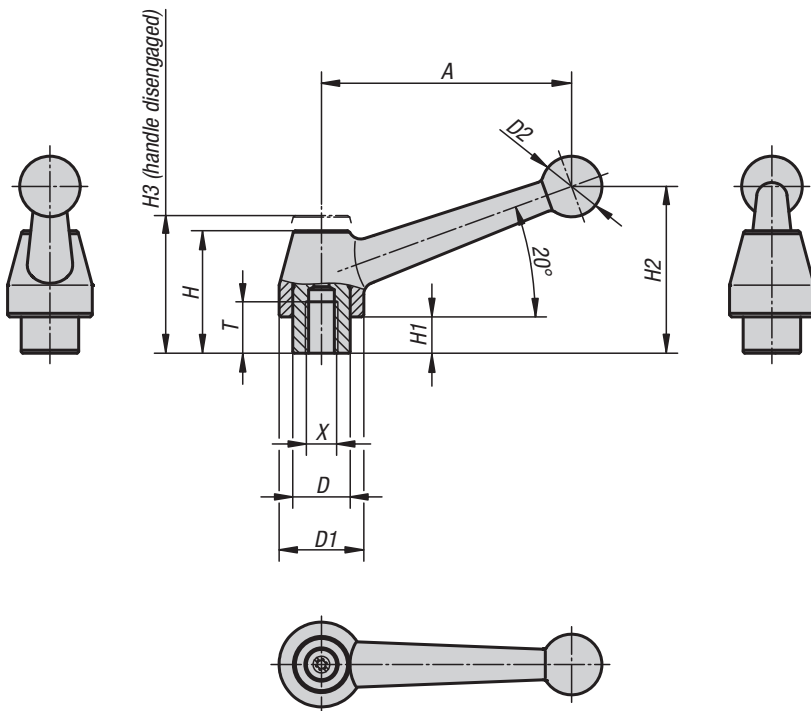
Sample order:

K0120.108

On request:

Other internal threads and special versions.

Dimension „H1“ available in other lengths at extra charge.

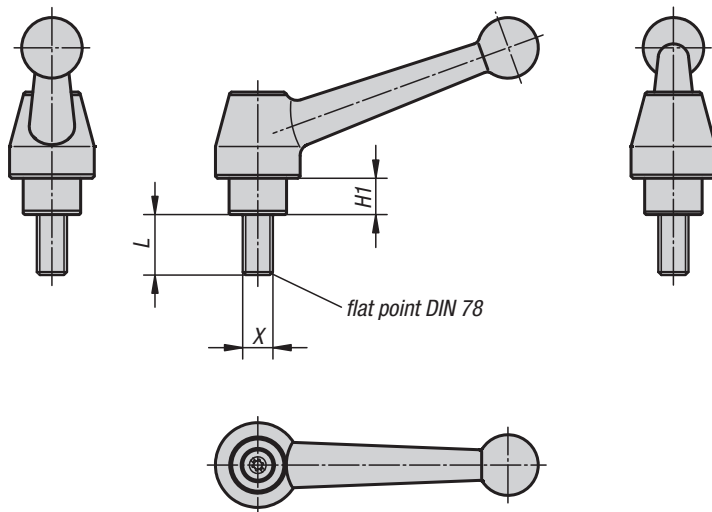


KIPP Clamping levers with internal thread

Order No.	Version	Size	X	T	D	D1	D2	H	H1	H2	H3	A	No. of teeth
K0120.108	steel silver-grey	1	M8	17	19	28	20	41	12	54	49	83	24
K0120.110	steel silver-grey	1	M10	17	19	28	20	41	12	54	49	83	24
K0120.112	steel silver-grey	1	M12	17	19	28	20	41	12	54	49	83	24
K0120.212	steel silver-grey	2	M12	23	23	35	25	50	12	69	56	108	26
K0120.216	steel silver-grey	2	M16	23	23	35	25	50	12	69	56	108	26
K0120.316	steel silver-grey	3	M16	27	30	43	30	58,5	12	78	65	132	36
K0120.320	steel silver-grey	3	M20	27	30	43	30	58,5	12	78	65	132	36

Clamping levers steel

external thread



Material:

Handle 1.0401.

All other steel parts grade 5.8.

Version:

Handle painted silver-grey hammertone.

Steel parts black oxidised.

Sample order:

K0120.110X30 (include length L)

Note:

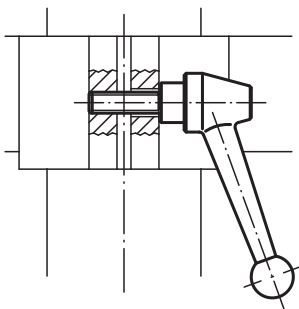
For other dimensions see clamping levers with internal threads.

On request:

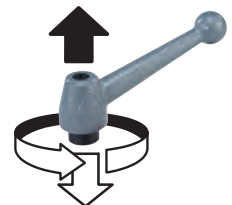
Other external threads, screw lengths and special versions.

Dimension „H1“ available in other lengths at extra charge.

example:



lift to
disengage



KIPP Clamping levers with external thread

Order No.	Version	Size	X	H1	L
K0120.110X	steel silver-grey	1	M10	12	20/25/30/35/40/45/50/55/60/70/80/90
K0120.112X	steel silver-grey	1	M12	12	20/25/30/35/40/45/50/55/60/70/80/90
K0120.212X	steel silver-grey	2	M12	12	25/30/35/40/45/50/55/60/70/80/90
K0120.216X	steel silver-grey	2	M16	12	25/30/35/40/45/50/55/60/70/80/90
K0120.316X	steel silver-grey	3	M16	12	30/40/50/60/70/80/90
K0120.320X	steel silver-grey	3	M20	12	30/40/50/60/70/80/90

Clamping levers stainless steel

internal thread



Material:

Handle stainless steel 1.4308.
All other metal parts stainless steel 1.4305

Version:

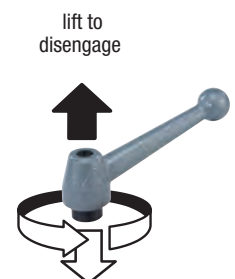
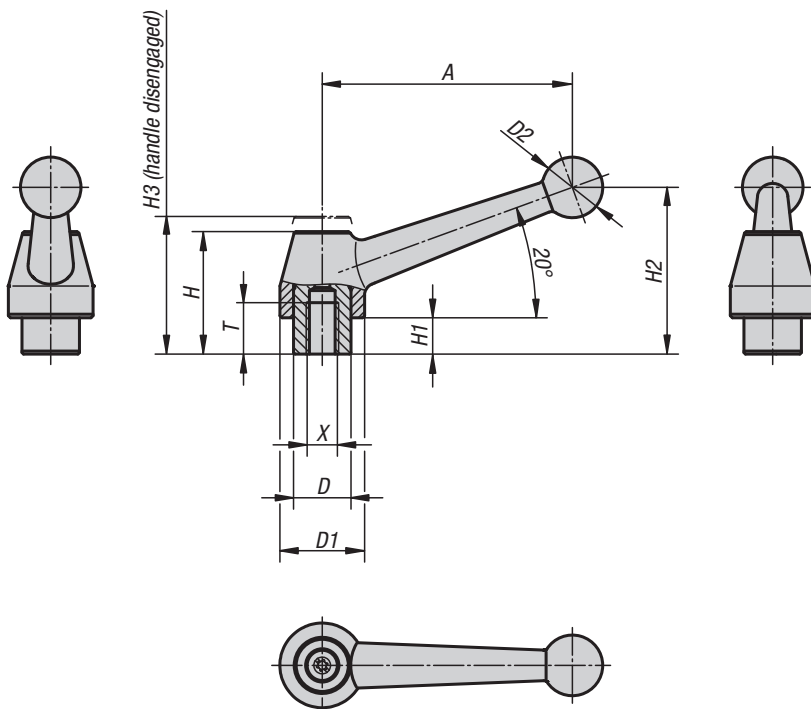
Handle stainless steel electrolytic polished.
Steel parts bright.

Sample order:

K0121.1108

On request:

Other internal threads and special versions.
Dimension „H1“ available in other lengths at extra charge.

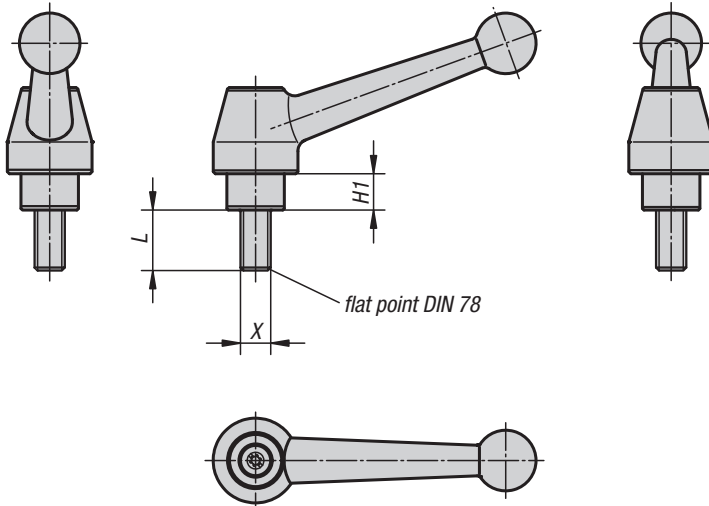


KIPP Clamping levers with internal thread, stainless steel

Order No.	Version	Size	X	T	D	D1	D2	H	H1	H2	H3	A	No. of teeth
K0121.1108	stainless steel electropolished	1	M8	17	19	28	20	41	12	54	49	83	24
K0121.1110	stainless steel electropolished	1	M10	17	19	28	20	41	12	54	49	83	24
K0121.1112	stainless steel electropolished	1	M12	17	19	28	20	41	12	54	49	83	24

Clamping levers stainless steel

external thread



Material:

Handle stainless steel 1.4308.
All other metal parts stainless steel 1.4305

Version:

Handle stainless steel electrolytic polished.
Steel parts bright.

Sample order:

K0121.1110X30 (include length L)

Note:

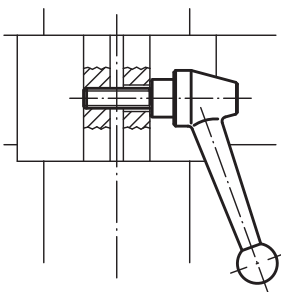
For other dimensions see clamping levers with internal threads.

On request:

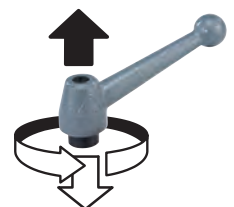
Other external threads, screw lengths and special versions.

Dimension „H1“ available in other lengths at extra charge.

example:



lift to disengage

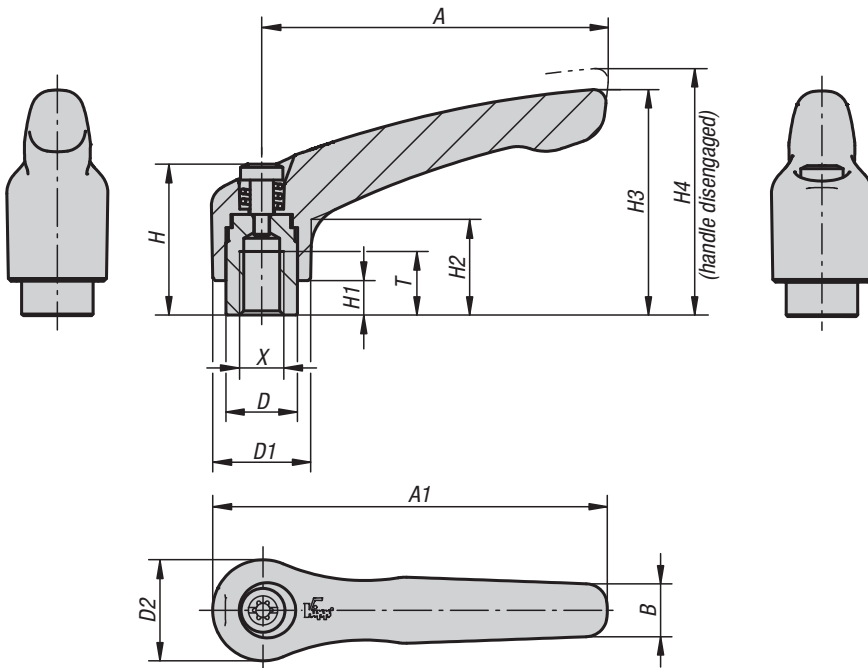


KIPP Clamping levers with external thread, stainless steel

Order No.	Version	Size	X	H1	L
K0121.1110X	stainless steel electropolished	1	M10	12	25/30/40/50/60
K0121.1112X	stainless steel electropolished	1	M12	12	25/30/40/50/60

Clamping levers steel

internal thread



Material:

Handle 1.0401.
All other steel parts grade 5.8.

Version:

Handle plastic-coated, fine-textured structure.
Steel parts black oxidised.

Sample order:

K0752.1051

Note:

Standard colours are:
black or red RAL 3003.

lift to
disengage

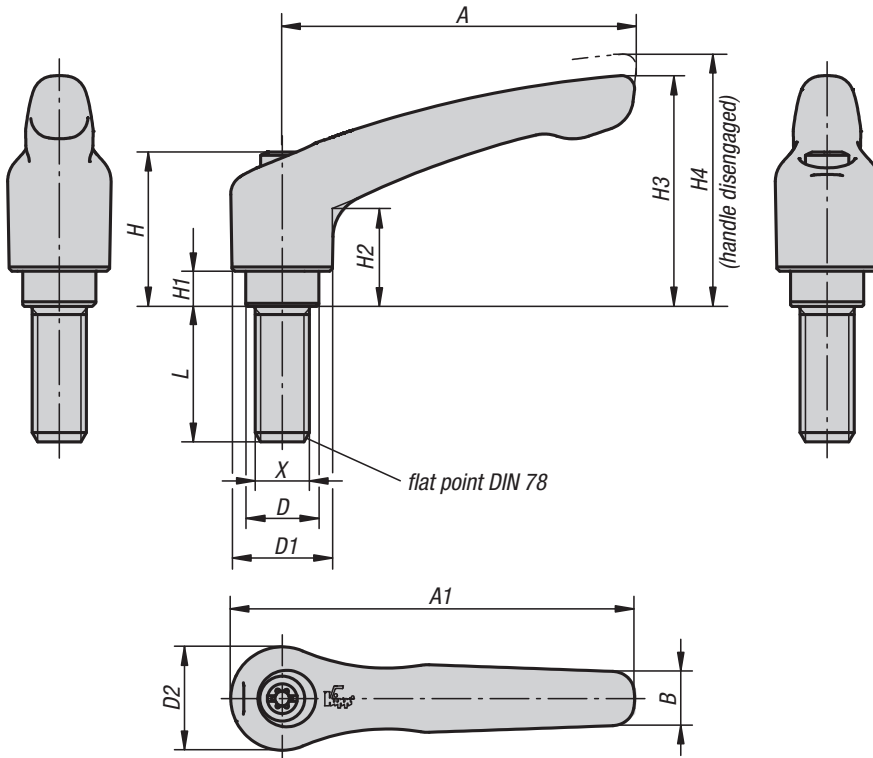


KIPP Clamping levers with internal thread

Order No. black	Order No. red	Size	X	T	D	D1	D2	H	H1	H2	H3	H4	A	A1	B	No. of teeth
K0752.1041	K0752.10427	1	M4	9	10	13	14	24,5	4	14,5	31	34	40	47	7	16
K0752.1051	K0752.10527	1	M5	9	10	13	14	24,5	4	14,5	31	34	40	47	7	16
K0752.1061	K0752.10627	1	M6	9	10	13	14	24,5	4	14,5	31	34	40	47	7	16
K0752.2061	K0752.20627	2	M6	12	13,5	18,5	19	28,5	6,5	17,5	42,5	45,5	65	74,5	10	20
K0752.2081	K0752.20827	2	M8	12	13,5	18,5	19	28,5	6,5	17,5	42,5	45,5	65	74,5	10	20
K0752.3081	K0752.30827	3	M8	14	16	21	22	37	10	24	54,5	58,5	80	91	11	22
K0752.3101	K0752.31027	3	M10	14	16	21	22	37	10	24	54,5	58,5	80	91	11	22
K0752.4101	K0752.41027	4	M10	17	19	27	27,5	43	10	27	63	67,5	95	109	13	24
K0752.4121	K0752.41227	4	M12	17	19	27	27,5	43	10	27	63	67,5	95	109	13	24
K0752.5121	K0752.51227	5	M12	23	23	31	32	49	12	31,5	73	77,5	110	126	15	26
K0752.5161	K0752.51627	5	M16	23	23	31	32	49	12	31,5	73	77,5	110	126	15	26

Clamping levers steel

external thread



Material:

Handle 1.0401.
All other steel parts grade 5.8.

Version:

Handle plastic-coated, fine-textured structure.
Steel parts black oxidised.

Sample order:

K0752.1051X20

Note:

Standard colours are:
black or red RAL 3003.

lift to
disengage



KIPP Specifications

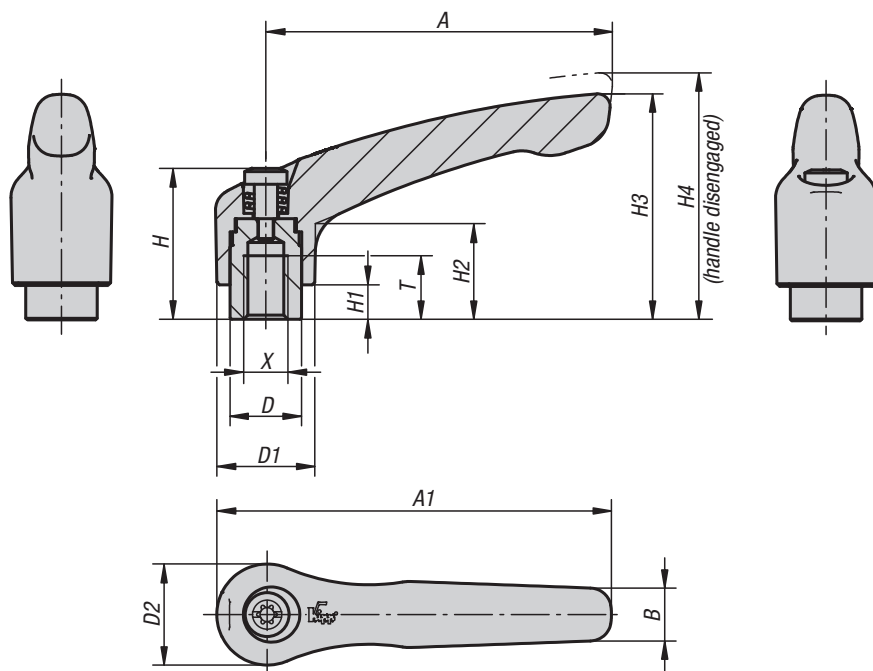
Size	X	D	D1	D2	H	H1	H2	H3	H4	A	A1	B	No. of teeth
1	M5/M6	10	13	14	24,5	4	14,5	31	34	40	47	7	16
2	M6/M8/M10	13,5	18,5	19	28,5	6,5	17,5	42,5	45,5	65	74,5	10	20
3	M8/M10	16	21	22	37	10	24	54,5	58,5	80	91	11	22
4	M10/M12	19	27	27,5	43	10	27	63	67,5	95	109	13	24
5	M12/M16	23	31	32	49	12	31,5	73	77,5	110	126	15	26

KIPP Clamping levers with external thread

Order No. black	Order No. red	Size	X	L
K0752.1051X	K0752.10527X	1	M5	10/15/20/25/30/35/40/45/50
K0752.1061X	K0752.10627X	1	M6	10/15/20/25/30/35/40/45/50
K0752.2061X	K0752.20627X	2	M6	15/20/25/30/35/40/45/50/55/60
K0752.2081X	K0752.20827X	2	M8	15/20/25/30/35/40/45/50/55/60
K0752.2101X	K0752.21027X	2	M10	15/20/25/30/35/40/45/50/55/60
K0752.3081X	K0752.30827X	3	M8	15/20/25/30/35/40/45/50/55/60
K0752.3101X	K0752.31027X	3	M10	15/20/25/30/35/40/45/50/55/60
K0752.4101X	K0752.41027X	4	M10	20/25/30/35/40/45/50/55/60/70/80/90
K0752.4121X	K0752.41227X	4	M12	20/25/30/35/40/45/50/55/60/70/80/90
K0752.5121X	K0752.51227X	5	M12	25/30/35/40/45/50/55/60/70/80/90
K0752.5161X	K0752.51627X	5	M16	25/30/35/40/45/50/55/60/70/80/90

Clamping levers

internal thread



Material:

Handle die-cast zinc DIN EN 12844.
Steel parts grade 5.8.

Version:

Handle plastic-coated or high-gloss chromed.
Steel parts black oxidised.

Sample order:

K0122.1041

Note:

Δ Add the desired lever colour here.
Standard colours are:
black satin finish, orange RAL 2004, ruby red RAL 3003, silver metallic, high-gloss chromed.

On request:

Other internal threads, colours and special versions.
Dimension „H1“ available in other lengths at extra charge.

lift to
disengage

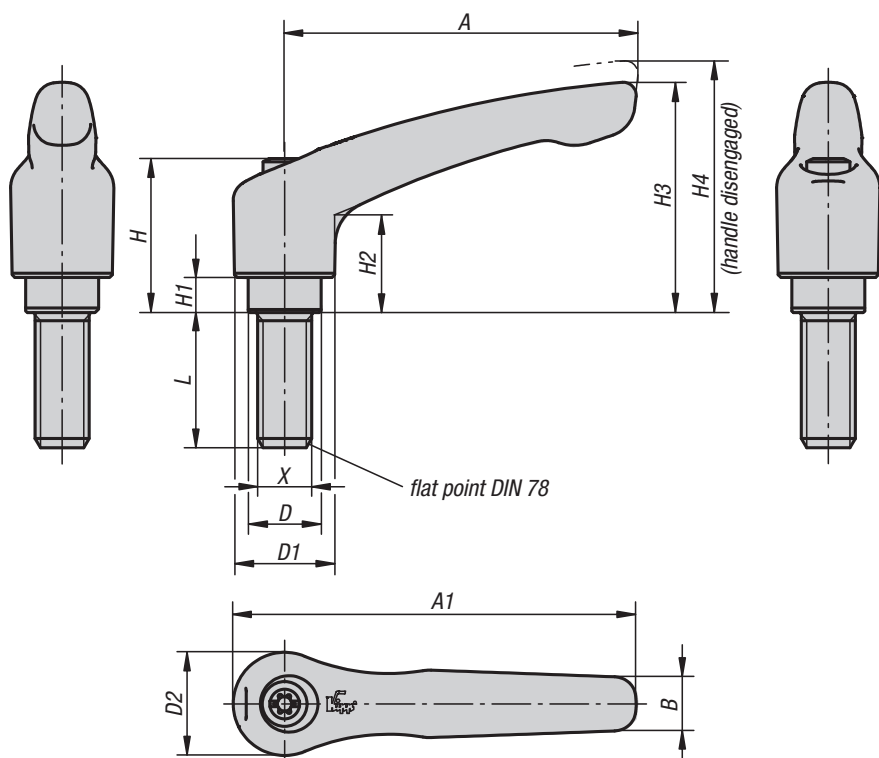


KIPP Clamping levers with internal thread

Order No.	Size	X	T	D	D1	D2	H	H1	H2	H3	H4	A	A1	B	No. of teeth
K0122.003Δ	0	M3	9	10	13	14	24,5	4	14,5	30	33	30	37	7	16
K0122.004Δ	0	M4	9	10	13	14	24,5	4	14,5	30	33	30	37	7	16
K0122.005Δ	0	M5	9	10	13	14	24,5	4	14,5	30	33	30	37	7	16
K0122.104Δ	1	M4	9	10	13	14	24,5	4	14,5	31	34	40	47	7	16
K0122.105Δ	1	M5	9	10	13	14	24,5	4	14,5	31	34	40	47	7	16
K0122.106Δ	1	M6	9	10	13	14	24,5	4	14,5	31	34	40	47	7	16
K0122.206Δ	2	M6	12	13,5	18,5	19	28,5	6,5	17,5	42,5	45,5	65	74,5	9,5	20
K0122.208Δ	2	M8	12	13,5	18,5	19	28,5	6,5	17,5	42,5	45,5	65	74,5	9,5	20
K0122.308Δ	3	M8	14	16	21	22	37	10	24	54,5	58,5	80	91	11	22
K0122.310Δ	3	M10	14	16	21	22	37	10	24	54,5	58,5	80	91	11	22
K0122.410Δ	4	M10	17	19	27	27,5	43	10	27	63	67,5	95	109	13	24
K0122.412Δ	4	M12	17	19	27	27,5	43	10	27	63	67,5	95	109	13	24
K0122.512Δ	5	M12	23	23	31	32	49	12	31,5	73	77,5	110	126	15	26
K0122.516Δ	5	M16	23	23	31	32	49	12	31,5	73	77,5	110	126	15	26

Clamping levers

external thread



Material:

Handle die-cast zinc DIN EN 12844.
Steel parts grade 5.8.

Version:

Handle plastic-coated or high-gloss chromed.
Steel parts black oxidised.

Sample order:

K0122.0041X10 (clamping lever, black satin finish;
include length L)

Note:

Δ Add the desired lever colour here.
Standard colours are:
black satin finish, orange RAL 2004, ruby red RAL 3003, silver metallic, high-gloss chromed.

On request:

Other external threads, screw lengths, colours and special versions.
Dimension „H1“ available in other lengths at extra charge.



KIPP Clamping levers with external thread

Order No.	Size	X	D	D1	D2	H	H1	H2	H3	H4	A	A1	B	L	No. of teeth
K0122.004ΔX	0	M4	10	13	14	24,5	4	14,5	30	33	30	37	7	10/15/20/25/30/35/40/45/50	16
K0122.005ΔX	0	M5	10	13	14	24,5	4	14,5	30	33	30	37	7	10/15/20/25/30/35/40/45/50	16
K0122.105ΔX	1	M5	10	13	14	24,5	4	14,5	31	34	40	47	7	10/15/20/25/30/35/40/45/50	16
K0122.106ΔX	1	M6	10	13	14	24,5	4	14,5	31	34	40	47	7	10/15/20/25/30/35/40/45/50	16
K0122.206ΔX	2	M6	13,5	18,5	19	28,5	6,5	17,5	42,5	45,5	65	74,5	9,5	15/20/25/30/35/40/45/50/55/60	20
K0122.208ΔX	2	M8	13,5	18,5	19	28,5	6,5	17,5	42,5	45,5	65	74,5	9,5	15/20/25/30/35/40/45/50/55/60	20
K0122.210ΔX	2	M10	13,5	18,5	19	28,5	6,5	17,5	42,5	45,5	65	74,5	9,5	15/20/25/30/35/40/45/50/55/60	20
K0122.308ΔX	3	M8	16	21	22	37	10	24	54,5	58,5	80	91	11	15/20/25/30/35/40/45/50/55/60	22
K0122.310ΔX	3	M10	16	21	22	37	10	24	54,5	58,5	80	91	11	15/20/25/30/35/40/45/50/55/60	22
K0122.410ΔX	4	M10	19	27	27,5	43	10	27	63	67,5	95	109	13	20/25/30/35/40/45/50/55/60/70/80/90	24
K0122.412ΔX	4	M12	19	27	27,5	43	10	27	63	67,5	95	109	13	20/25/30/35/40/45/50/55/60/70/80/90	24
K0122.512ΔX	5	M12	23	31	32	49	12	31,5	73	77,5	110	126	15	25/30/35/40/45/50/55/60/70/80/90	26
K0122.516ΔX	5	M16	23	31	32	49	12	31,5	73	77,5	110	126	15	25/30/35/40/45/50/55/60/70/80/90	26

Clamping levers

internal thread, steel parts stainless steel



Material:

Handle die-cast zinc DIN EN 12844.
Steel parts stainless steel 1.4305.

Version:

Handle plastic-coated or high-gloss chromed.
Steel parts bright.

Sample order:

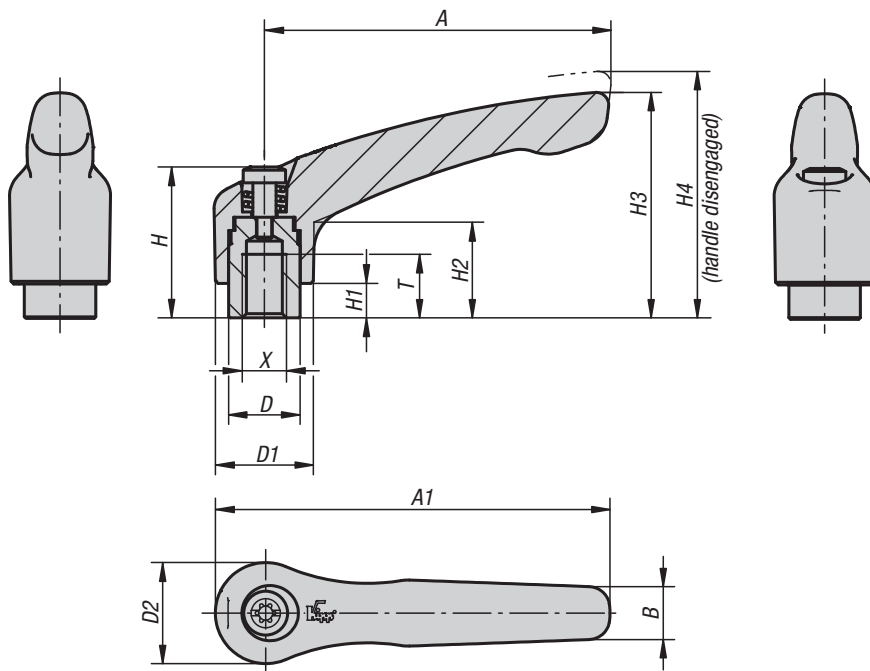
K0123.1051 (clamping lever, black satin finish)

Note:

Δ Add the desired lever colour here.
Standard colours are:
black satin finish, orange RAL 2004, ruby red RAL 3003, silver metallic, high-gloss chromed.

On request:

Other internal threads, colours and special versions.
Dimension „H1“ available in other lengths at extra charge.

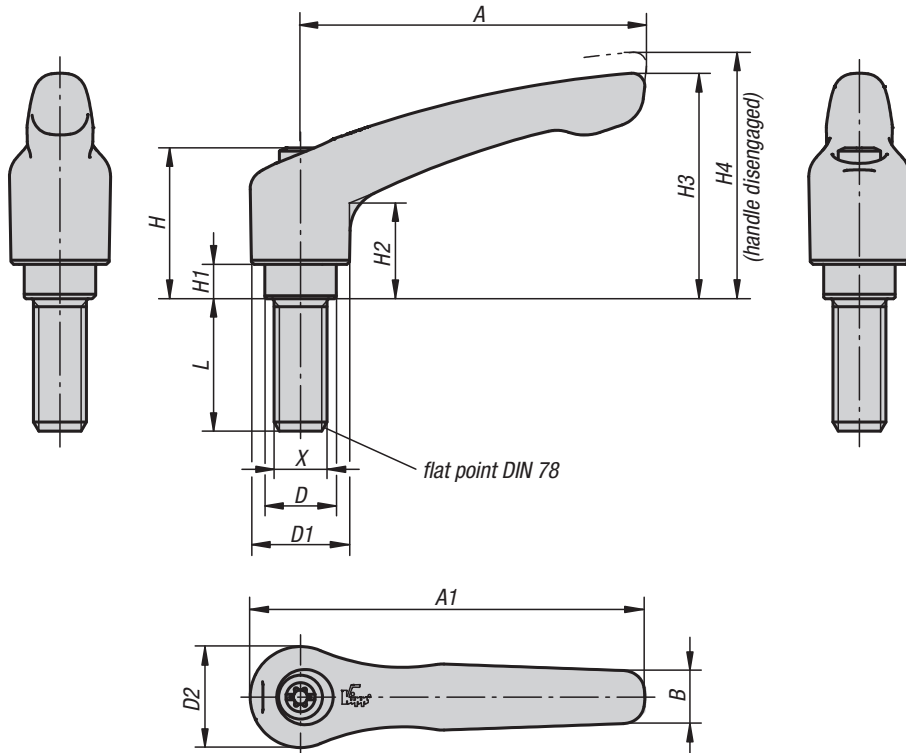


KIPP Clamping levers with internal thread, steel parts stainless steel

Order No.	Size	X	T	D	D1	D2	H	H1	H2	H3	H4	A	A1	B	No. of teeth
K0123.003Δ	0	M3	9	10	13	14	24,5	4	14,5	30	33	30	37	7	16
K0123.004Δ	0	M4	9	10	13	14	24,5	4	14,5	30	33	30	37	7	16
K0123.005Δ	0	M5	9	10	13	14	24,5	4	14,5	30	33	30	37	7	16
K0123.104Δ	1	M4	9	10	13	14	24,5	4	14,5	31	34	40	47	7	16
K0123.105Δ	1	M5	9	10	13	14	24,5	4	14,5	31	34	40	47	7	16
K0123.106Δ	1	M6	9	10	13	14	24,5	4	14,5	31	34	40	47	7	16
K0123.206Δ	2	M6	12	13,5	18,5	19	28,5	6,5	17,5	42,5	45,5	65	74,5	9,5	20
K0123.208Δ	2	M8	12	13,5	18,5	19	28,5	6,5	17,5	42,5	45,5	65	74,5	9,5	20
K0123.308Δ	3	M8	14	16	21	22	37	10	24	54,5	58,5	80	91	11	22
K0123.310Δ	3	M10	14	16	21	22	37	10	24	54,5	58,5	80	91	11	22
K0123.410Δ	4	M10	17	19	27	27,5	43	10	27	63	67,5	95	109	13	24
K0123.412Δ	4	M12	17	19	27	27,5	43	10	27	63	67,5	95	109	13	24
K0123.512Δ	5	M12	23	23	31	32	49	12	31,5	73	77,5	110	126	15	26
K0123.516Δ	5	M16	23	23	31	32	49	12	31,5	73	77,5	110	126	15	26

Clamping levers

external thread, steel parts stainless steel



Material:

Handle die-cast zinc DIN EN 12844.
Steel parts stainless steel 1.4305.

Version:

Handle plastic-coated or high-gloss chromed.
Steel parts bright.

Sample order:

K0123.1051X25 (clamping lever, black satin finish; include length L)

Note:

Δ Add the desired lever colour here.
Standard colours are:
black satin finish, orange RAL 2004, ruby red RAL 3003, silver metallic, high-gloss chromed.

On request:

Other external threads, screw lengths, colours and special versions.
Dimension „H1“ available in other lengths at extra charge.

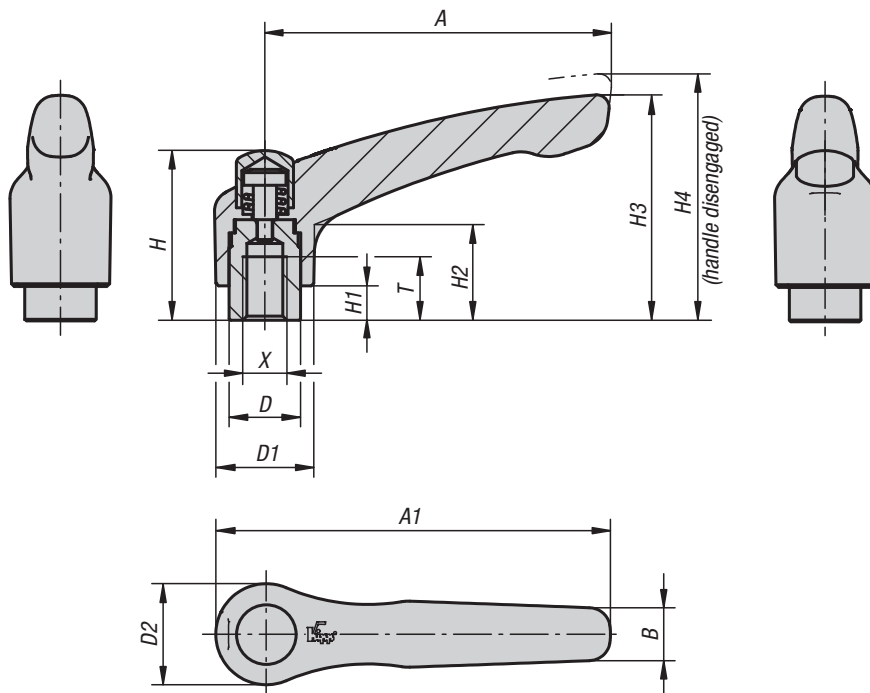


KIPP Clamping levers with external thread, steel parts stainless steel

Order No.	Size	X	D	D1	D2	H	H1	H2	H3	H4	A	A1	B	L	No. of teeth
K0123.004ΔX	0	M4	10	13	14	24,5	4	14,5	30	33	30	37	7	10/15/20/25	16
K0123.005ΔX	0	M5	10	13	14	24,5	4	14,5	30	33	30	37	7	10/15/20/25	16
K0123.105ΔX	1	M5	10	13	14	24,5	4	14,5	31	34	40	47	7	10/15/20/25	16
K0123.106ΔX	1	M6	10	13	14	24,5	4	14,5	31	34	40	47	7	10/15/20/25/30/40/50	16
K0123.206ΔX	2	M6	13,5	18,5	19	28,5	6,5	17,5	42,5	45,5	65	74,5	9,5	15/20/25/30/40/50/60	20
K0123.208ΔX	2	M8	13,5	18,5	19	28,5	6,5	17,5	42,5	45,5	65	74,5	9,5	15/20/25/30/40/50/60	20
K0123.210ΔX	2	M10	13,5	18,5	19	28,5	6,5	17,5	42,5	45,5	65	74,5	9,5	20/25/30/40/50/60	20
K0123.308ΔX	3	M8	16	21	22	37	10	24	54,5	58,5	80	91	11	20/25/30/40/50/60	22
K0123.310ΔX	3	M10	16	21	22	37	10	24	54,5	58,5	80	91	11	20/25/30/40/50/60	22
K0123.412ΔX	4	M12	19	27	27,5	43	10	27	63	67,5	95	109	13	25/30/40/50/60	24
K0123.516ΔX	5	M16	23	31	32	49	12	31,5	73	77,5	110	126	15	30/40/50/60	26

Clamping levers with protective cap

internal thread



Material:

Handle die-cast zinc DIN EN 12844.
Steel parts grade 5.8.
Protective cap stainless steel 1.4305.

Version:

Handle plastic-coated.
Steel parts black oxidised.
Protective cap stainless steel, bright.

Sample order:

K0122.92081

Note:

Standard colours are:
black satin finish, orange RAL 2004.

On request:

Other internal threads, colours and special versions.
Dimension „H1“ available in other lengths at extra charge.

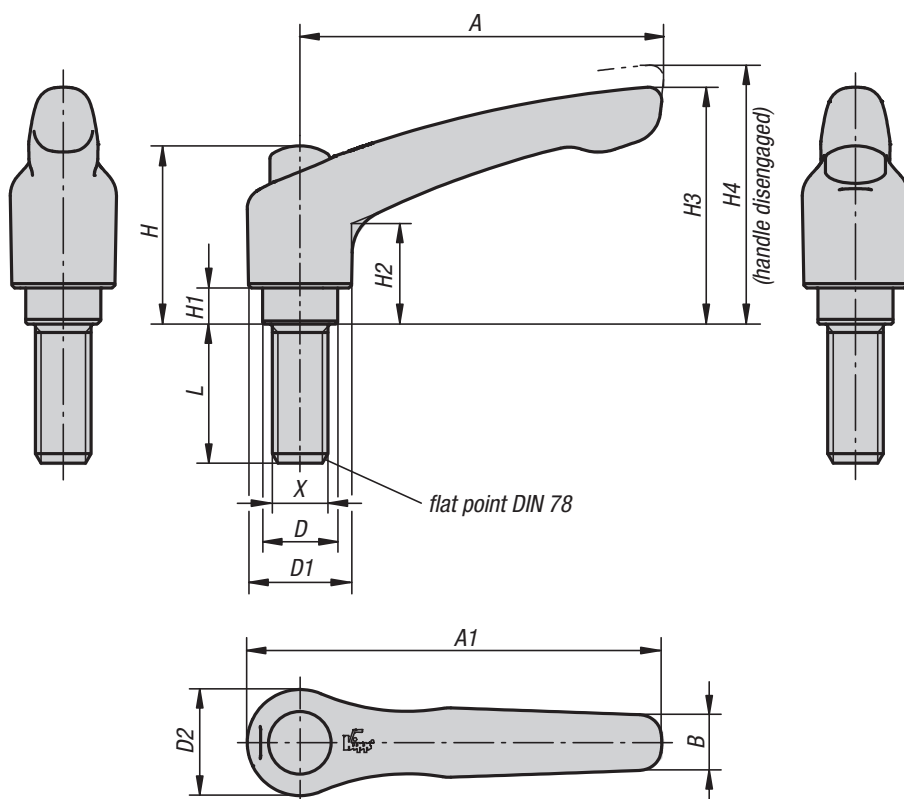


KIPP Clamping levers with protective cap, internal thread

Order No. black satin finish	Order No. orange	Size	X	T	D	D1	D2	H	H1	H2	H3	H4	A	A1	B	No. of teeth
K0122.92061	K0122.92062	2	M6	12	13,5	18,5	19	32	6,5	17,5	42,5	45,5	65	74,5	9,5	20
K0122.92081	K0122.92082	2	M8	12	13,5	18,5	19	32	6,5	17,5	42,5	45,5	65	74,5	9,5	20
K0122.93081	K0122.93082	3	M8	14	16	21	22	41,5	10	24	54,5	58,5	80	91	11	22
K0122.93101	K0122.93102	3	M10	14	16	21	22	41,5	10	24	54,5	58,5	80	91	11	22

Clamping levers with protective cap

external thread



Material:

Handle die-cast zinc DIN EN 12844.
Steel parts grade 5.8.
Protective cap stainless steel 1.4305.

Version:

Handle plastic-coated.
Steel parts black oxidised.
Protective cap stainless steel, bright.

Sample order:

K0122.92081X30 (include length L)

Note:

Standard colours are:
black satin finish, orange RAL 2004.

On request:

Other external threads, screw lengths, colours and special versions.
Dimension „H1“ available in other lengths at extra charge.

lift to disengage



KIPP Specifications

Size	X	D	D1	D2	H	H1	H2	H3	H4	A	A1	B	No. of teeth
2	M6/M8/M10	13,5	18,5	19	32	6,5	17,5	42,5	45,5	65	74,5	9,5	20
3	M8/M10	16	21	22	41,5	10	24	54,5	58,5	80	91	11	22

KIPP Clamping levers with protective cap, external thread

Order No. black satin finish	Order No. orange	Size	X	L
K0122.92061X	K0122.92062X	2	M6	15/20/25/30/35/40/45/50/55/60
K0122.92081X	K0122.92082X	2	M8	15/20/25/30/35/40/45/50/55/60
K0122.92101X	K0122.92102X	2	M10	15/20/25/30/35/40/45/50/55/60
K0122.93081X	K0122.93082X	3	M8	15/20/25/30/35/40/45/50/55/60
K0122.93101X	K0122.93102X	3	M10	15/20/25/30/35/40/45/50/55/60

Clamping levers with protective cap

internal thread, steel parts stainless steel



Material:

Handle die-cast zinc DIN EN 12844.
Steel parts stainless steel 1.4305.
Protective cap stainless steel 1.4305.

Version:

Handle plastic-coated.
Steel parts bright.

Sample order:

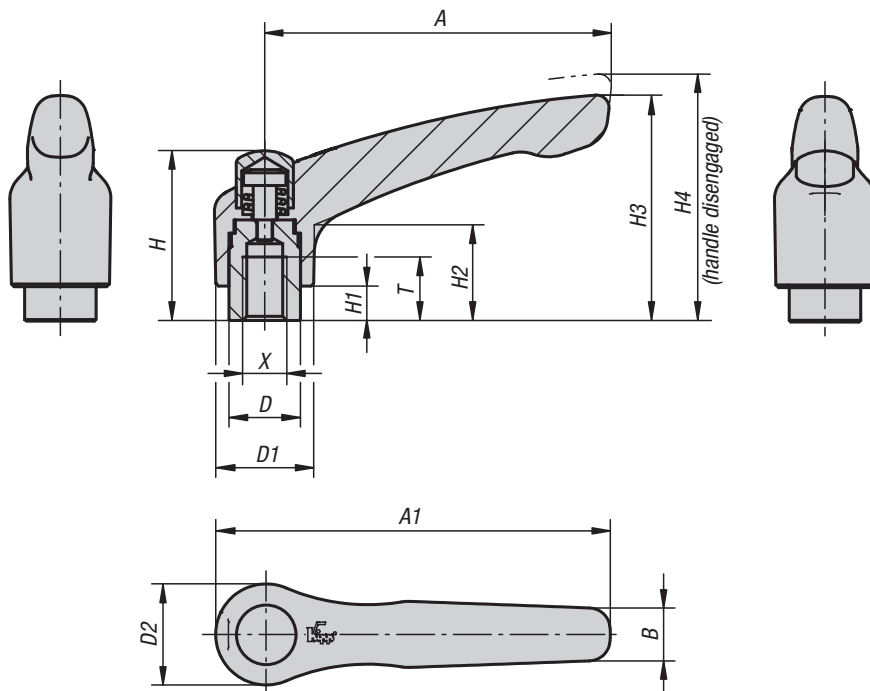
K0123.92081

Note:

Standard colours are:
black satin finish, orange RAL 2004.

On request:

Other internal threads, colours and special versions.
Dimension „H1“ available in other lengths at extra charge.



lift to
disengage

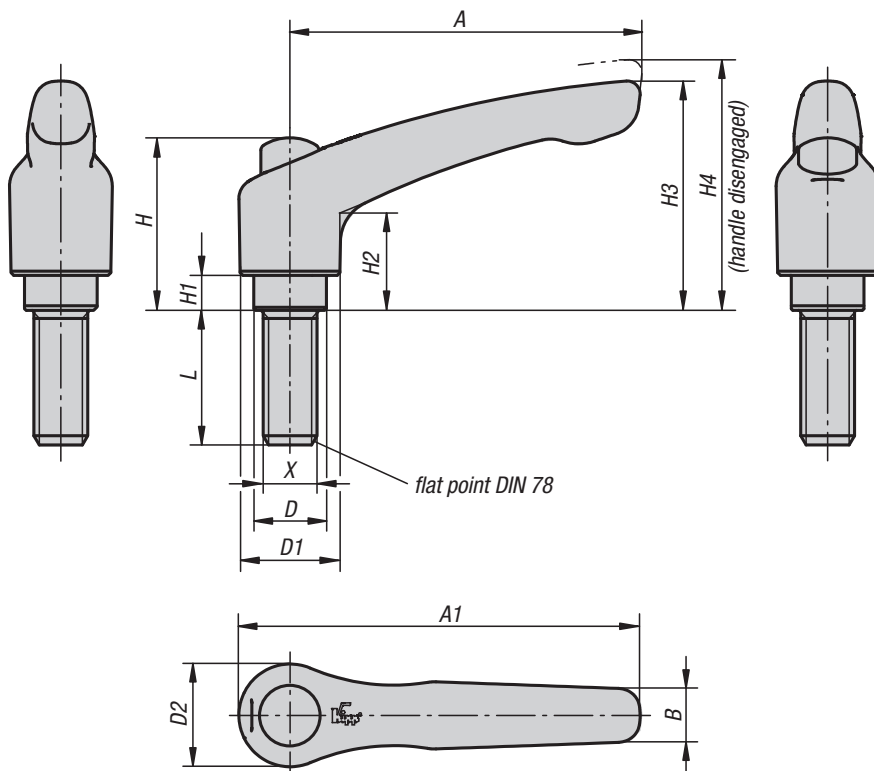


KIPP Clamping levers with protective cap, internal thread, steel parts stainless steel

Order No. black satin finish	Order No. orange	Size	X	T	D	D1	D2	H	H1	H2	H3	H4	A	A1	B	No. of teeth
K0123.92061	K0123.92062	2	M6	12	13,5	18,5	19	32	6,5	17,5	42,5	45,5	65	74,5	9,5	20
K0123.92081	K0123.92082	2	M8	12	13,5	18,5	19	32	6,5	17,5	42,5	45,5	65	74,5	9,5	20
K0123.93081	K0123.93082	3	M8	14	16	21	22	41,5	10	24	54,5	58,5	80	91	11	22
K0123.93101	K0123.93102	3	M10	14	16	21	22	41,5	10	24	54,5	58,5	80	91	11	22

Clamping levers with protective cap

external thread, steel parts stainless steel



Material:

Handle die-cast zinc DIN EN 12844.
Steel parts stainless steel 1.4305.
Protective cap stainless steel 1.4305.

Version:

Handle plastic-coated.
Steel parts bright.

Sample order:

K0123.92081X30 (include length L)

Note:

Standard colours are:
black satin finish, orange RAL 2004.

On request:

Other external threads, screw lengths, colours and special versions.
Dimension „H1“ available in other lengths at extra charge.

lift to disengage



KIPP Specifications

Size	X	D	D1	D2	H	H1	H2	H3	H4	A	A1	B	No. of teeth
2	M6/M8/M10	13,5	18,5	19	32	6,5	17,5	42,5	45,5	65	74,5	9,5	20
3	M8/M10	16	21	22	41,5	10	24	54,5	58,5	80	91	11	22

KIPP Clamping levers with protective cap, external thread, steel parts stainless steel

Order No. black satin finish	Order No. orange	Size	X	L
K0123.92061X	K0123.92062X	2	M6	15/20/25/30/40/50/60
K0123.92081X	K0123.92082X	2	M8	15/20/25/30/40/50/60
K0123.92101X	K0123.92102X	2	M10	20/25/30/40/50/60
K0123.93081X	K0123.93082X	3	M8	20/25/30/40/50/60
K0123.93101X	K0123.93102X	3	M10	20/25/30/40/50/60

Clamping levers

internal thread, stainless steel



Material:

Handle investment cast 1.4308.

Other steel parts 1.4305.

Version:

Handle electrolytic polished.

Steel parts bright.

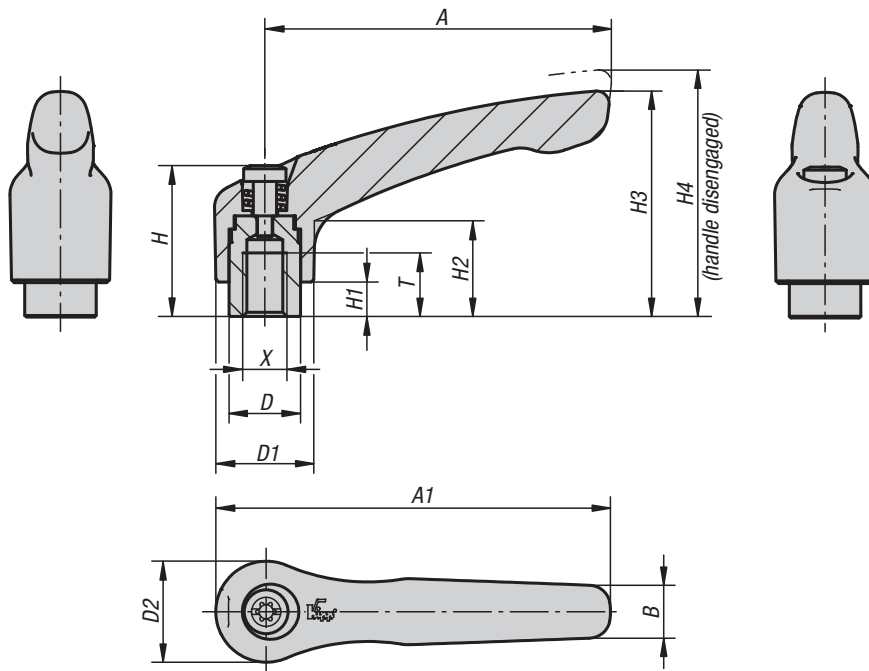
Sample order:

K0124.105

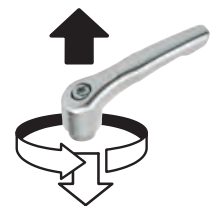
On request:

Other internal threads and special versions.

Dimension „H1“ available in other lengths at extra charge.



lift to disengage

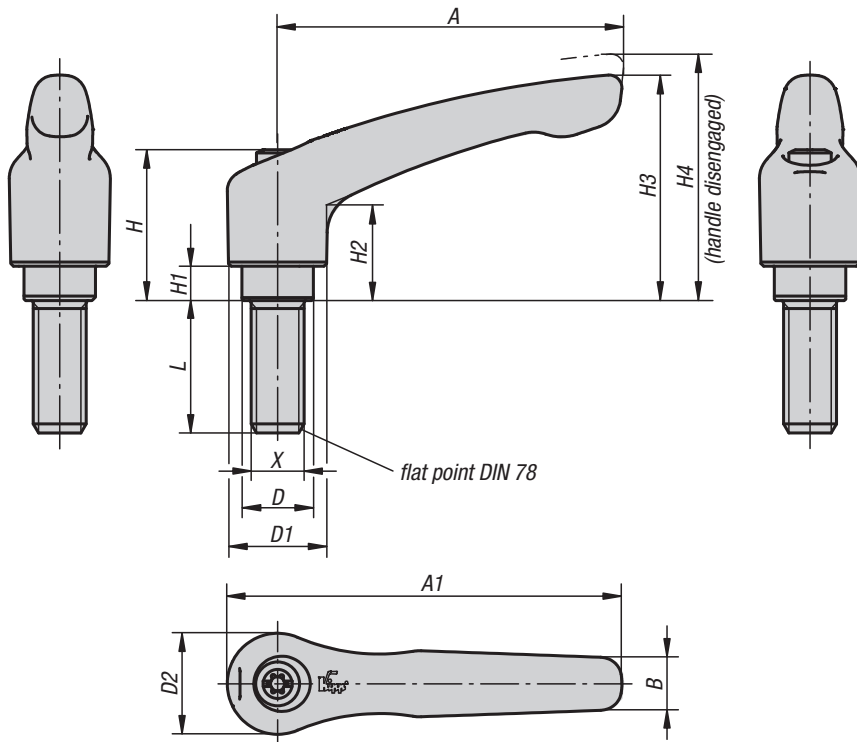


KIPP Clamping levers with internal thread, stainless steel

Order No.	Size	X	T	D	D1	D2	H	H1	H2	H3	H4	A	A1	B	No. of teeth
K0124.104	1	M4	9	10	13	14	24,5	4	14,5	31	34	40	47	7	16
K0124.105	1	M5	9	10	13	14	24,5	4	14,5	31	34	40	47	7	16
K0124.106	1	M6	9	10	13	14	24,5	4	14,5	31	34	40	47	7	16
K0124.206	2	M6	12	13,5	18,5	19	28,5	6,5	17,5	42,5	45,5	65	74,5	10	20
K0124.208	2	M8	12	13,5	18,5	19	28,5	6,5	17,5	42,5	45,5	65	74,5	10	20
K0124.308	3	M8	14	16	21	22	37	10	24	54,5	58,5	80	91	11	22
K0124.310	3	M10	14	16	21	22	37	10	24	54,5	58,5	80	91	11	22
K0124.410	4	M10	17	19	27	27,5	43	10	27	63	67,5	95	109	13	24
K0124.412	4	M12	17	19	27	27,5	43	10	27	63	67,5	95	109	13	24
K0124.512	5	M12	23	23	31	32	49	12	31,5	73	77,5	110	126	15	26
K0124.516	5	M16	23	23	31	32	49	12	31,5	73	77,5	110	126	15	26

Clamping levers

external thread, stainless steel



Material:

Handle investment cast 1.4308.
Other steel parts 1.4305.

Version:

Handle electrolytic polished.
Steel parts bright.

Sample order:

K0124.105X10 (include length L)

On request:

Other external threads, screw lengths and special versions.
Dimension „H1“ available in other lengths at extra charge.

lift to
disengage

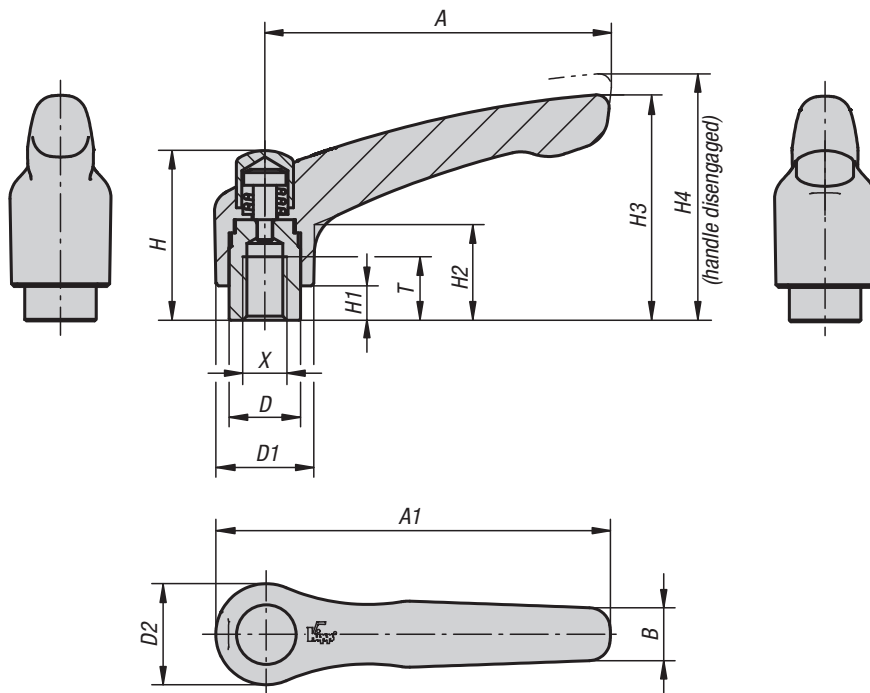


KIPP Clamping levers with external thread, stainless steel

Order No.	Size	X	D	D1	D2	H	H1	H2	H3	H4	A	A1	B	No. of teeth	L
K0124.105X	1	M5	10	13	14	24,5	4	14,5	31	34	40	47	7	16	10/15/20/25
K0124.106X	1	M6	10	13	14	24,5	4	14,5	31	34	40	47	7	16	10/15/20/25/30/40/50
K0124.206X	2	M6	13,5	18,5	19	28,5	6,5	17,5	42,5	45,5	65	74,5	10	20	15/20/25/30/40/50/60
K0124.208X	2	M8	13,5	18,5	19	28,5	6,5	17,5	42,5	45,5	65	74,5	10	20	15/20/25/30/40/50/60
K0124.210X	2	M10	13,5	18,5	19	28,5	6,5	17,5	42,5	45,5	65	74,5	10	20	20/25/30/40/50/60
K0124.308X	3	M8	16	21	22	37	10	24	54,5	58,5	80	91	11	22	20/25/30/40/50/60
K0124.310X	3	M10	16	21	22	37	10	24	54,5	58,5	80	91	11	22	20/25/30/40/50/60
K0124.412X	4	M12	19	27	27,5	43	10	27	63	67,5	95	109	13	24	25/30/40/50/60
K0124.516X	5	M16	23	31	32	49	12	31,5	73	77,5	110	126	15	26	30/40/50/60

Clamping levers with protective cap

internal thread, stainless steel



Material:

Handle investment cast 1.4308.
Other steel parts 1.4305.

Version:

Handle electrolytic polished.
Steel parts bright.

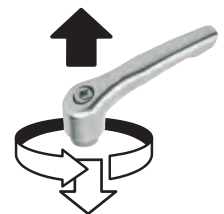
Sample order:

K0124.9208

On request:

Other internal threads and special versions.
Dimension „H1“ available in other lengths at extra charge.

lift to disengage



KIPP Clamping levers with protective cap, internal thread, stainless steel

Order No.	Size	X	T	D	D1	D2	H	H1	H2	H3	H4	A	A1	B	No. of teeth
K0124.9206	2	M6	12	13,5	18,5	19	32	6,5	17,5	42,5	45,5	65	74,5	10	20
K0124.9208	2	M8	12	13,5	18,5	19	32	6,5	17,5	42,5	45,5	65	74,5	10	20
K0124.9308	3	M8	14	16	21	22	41,5	10	24	54,5	58,5	80	91	11	22
K0124.9310	3	M10	14	16	21	22	41,5	10	24	54,5	58,5	80	91	11	22

Clamping levers with protective cap

external thread, stainless steel



Material:

Handle investment cast 1.4308.
Other steel parts 1.4305.

Version:

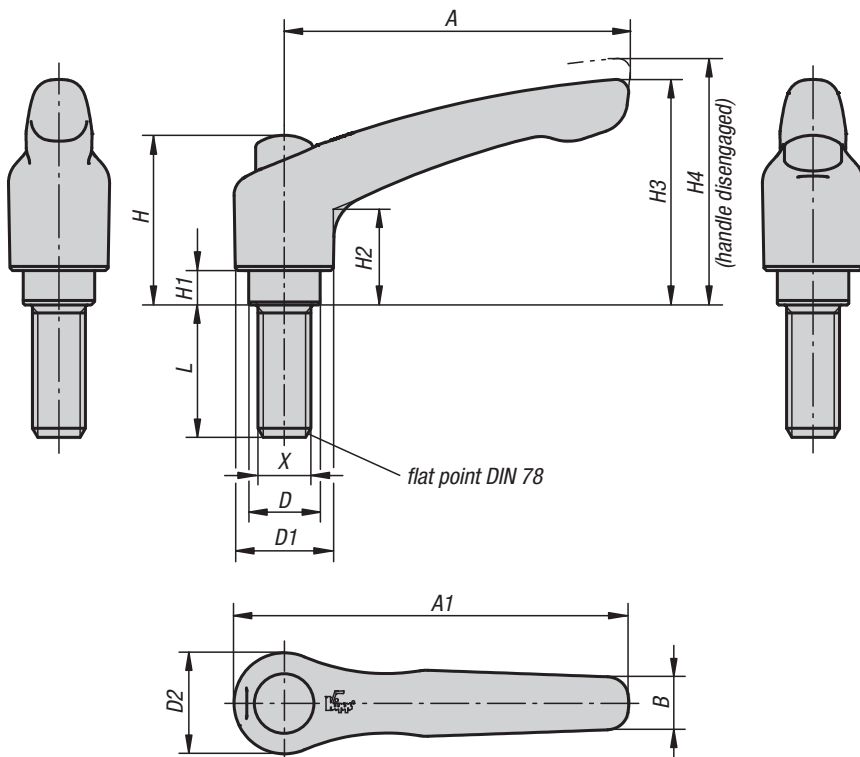
Handle electrolytic polished.
Steel parts bright.

Sample order:

K0124.9208X30 (include length L)

On request:

Other external threads, screw lengths and special versions.
Dimension „H1“ available in other lengths at extra charge.

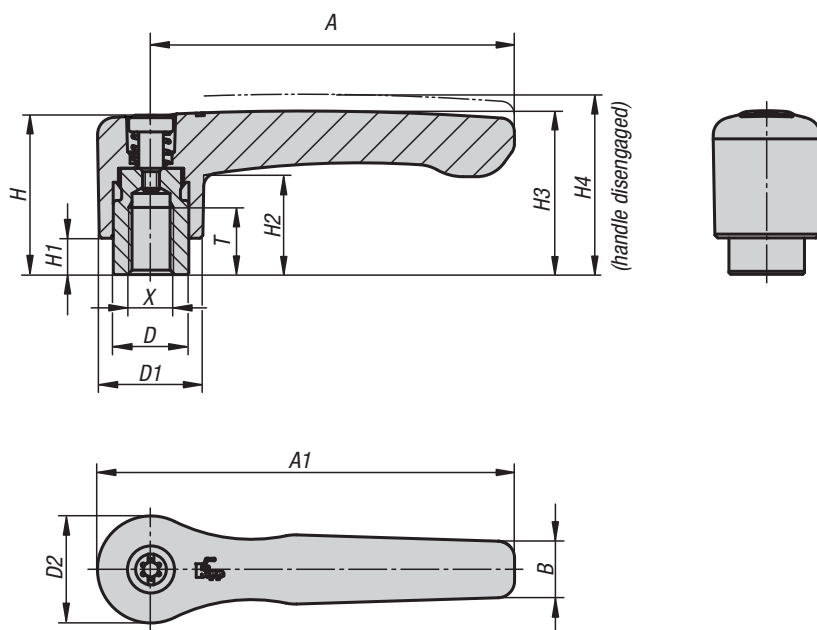


KIPP Clamping levers with protective cap, external thread, stainless steel

Order No.	Size	X	D	D1	D2	H	H1	H2	H3	H4	A	A1	B	No. of teeth	L
K0124.9206X	2	M6	13,5	18,5	19	32	6,5	17,5	42,5	45,5	65	74,5	10	20	15/20/25/30/40/50/60
K0124.9208X	2	M8	13,5	18,5	19	32	6,5	17,5	42,5	45,5	65	74,5	10	20	15/20/25/30/40/50/60
K0124.9210X	2	M10	13,5	18,5	19	32	6,5	17,5	42,5	45,5	65	74,5	10	20	20/25/30/40/50/60
K0124.9308X	3	M8	16	21	22	41,5	10	24	54,5	58,5	80	91	11	22	20/25/30/40/50/60
K0124.9310X	3	M10	16	21	22	41,5	10	24	54,5	58,5	80	91	11	22	20/25/30/40/50/60

Clamping levers flat

internal thread



Material:

Handle die-cast zinc DIN EN 12844.
Steel parts grade 5.8.

Version:

Handle plastic coated.
Steel parts black oxidised.

Sample order:

K0737.2061

Note:

Standard colours are:
black satin finish, orange RAL 2004.

On request:

Other internal threads, colours and special versions.
Dimension „H1“ available in other lengths at extra charge

lift to disengage

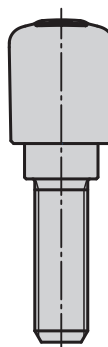
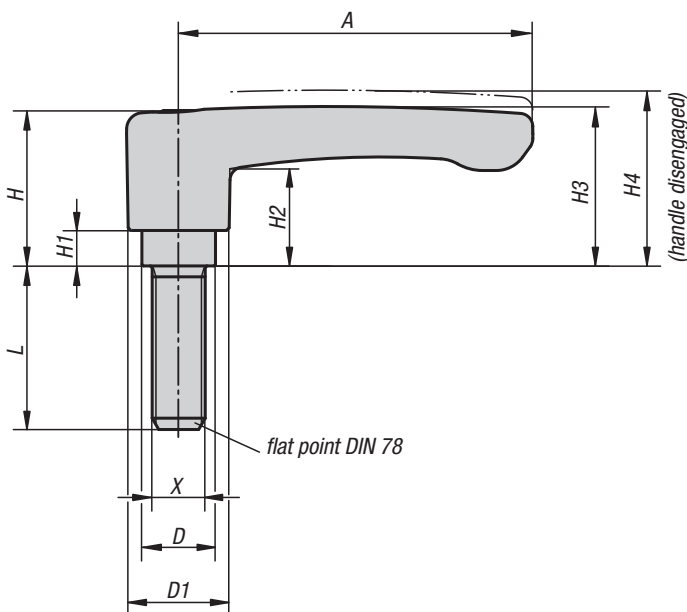


KIPP Flat clamping levers with internal thread

Order No. black satin finish	Order No. orange	Size	X	T	D	D2	D2	H	H1	H2	H3	H4	A	A1	B	No. of teeth
K0737.2061	K0737.2062	2	M6	12	13,5	18,5	19,1	28,5	6,5	17,8	29,2	32,2	65	74,5	10,1	20
K0737.2081	K0737.2082	2	M8	12	13,5	18,5	19,1	28,5	6,5	17,8	29,2	32,2	65	74,5	10,1	20
K0737.3081	K0737.3082	3	M8	14	16	21,2	22	37	10	23,8	38	42	80	91	11,7	22
K0737.3101	K0737.3102	3	M10	14	16	21,2	22	37	10	23,8	38	42	80	91	11,7	22

Clamping levers flat

external thread



Material:

Handle die-cast zinc DIN EN 12844.
Steel parts grade 5.8.

Version:

Handle plastic coated.
Steel parts black oxidised.

Sample order:

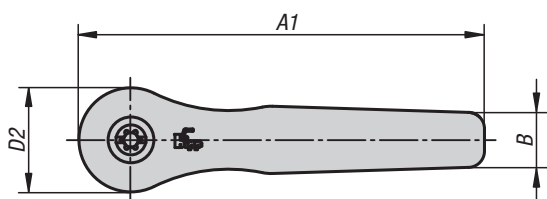
K0737.2061X15 (include length L)

Note:

Standard colours are:
black satin finish, orange RAL 2004.

On request:

Other external threads, screw lengths, colours and special versions.
Dimension „H1“ available in other lengths at extra charge.



lift to disengage



KIPP Specifications

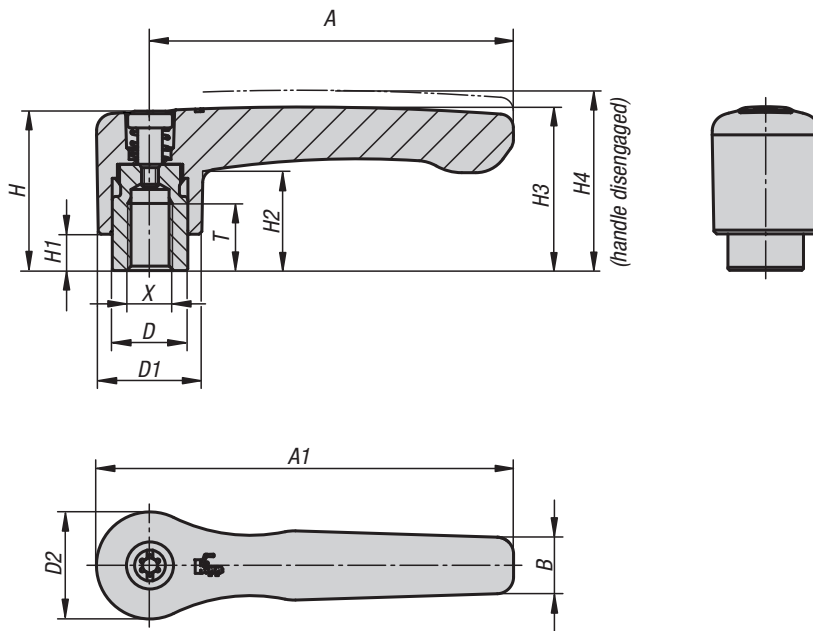
Size	X	D	D1	D2	H	H1	H2	H3	H4	A	A1	B	No. of teeth
2	M6/M8/M10	13,5	18,5	19,1	28,5	6,5	17,8	29,2	32,2	65	74,5	10,1	20
3	M8/M10	16	21,2	22	37	10	23,8	38	42	80	91	11,7	22

KIPP Flat clamping levers with external thread

Order No. black satin finish	Order No. orange	Size	X	L
K0737.2061X	K0737.2062X	2	M6	15/20/25/30/35/40/45/50/55/60
K0737.2081X	K0737.2082X	2	M8	15/20/25/30/35/40/45/50/55/60
K0737.2101X	K0737.2102X	2	M10	15/20/25/30/35/40/45/50/55/60
K0737.3081X	K0737.3082X	3	M8	15/20/25/30/35/40/45/50/55/60
K0737.3101X	K0737.3102X	3	M10	15/20/25/30/35/40/45/50/55/60

Clamping levers flat

internal thread, steel parts stainless steel



Material:

Handle die-cast zinc DIN EN 12844.
Steel parts stainless steel 1.4305.

Version:

Handle plastic-coated.
Steel parts bright.

Sample order:

K0738.2061

Note:

Standard colours are:
black satin finish, orange RAL 2004.

On request:

Other internal threads, colours and special versions.
Dimension „H1“ available in other lengths at
extra charge

lift to
disengage

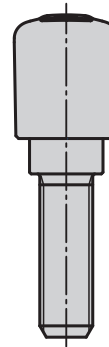
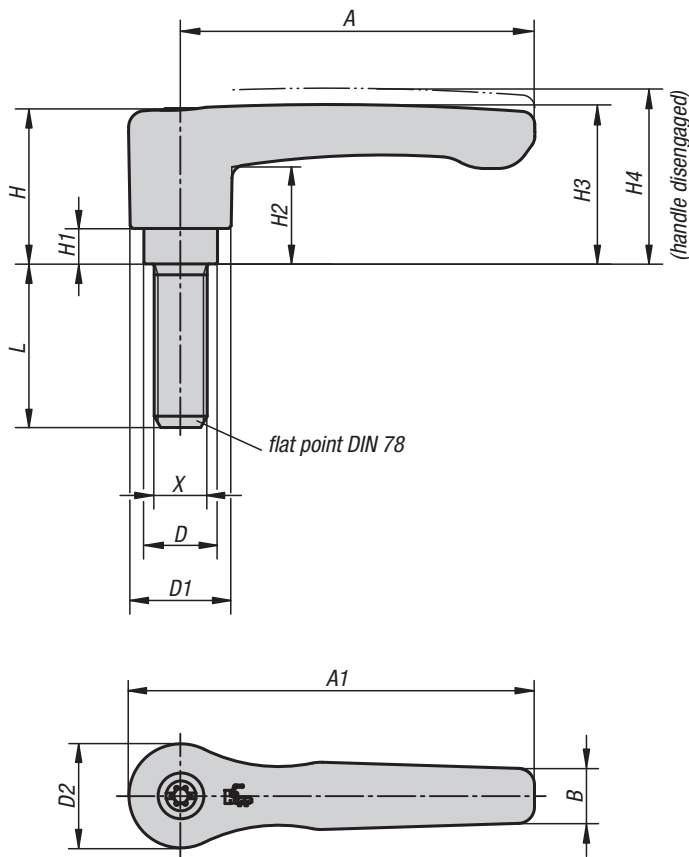


KIPP Clamping levers flat with internal thread, stainless steel

Order No. black satin finish	Order No. orange	Size	X	T	D	D1	D2	H	H1	H2	H3	H4	A	A1	B	No. of teeth
K0738.2061	K0738.2062	2	M6	12	13,5	18,5	19,1	28,5	6,5	17,8	29,2	32,2	65	74,5	10,1	20
K0738.2081	K0738.2082	2	M8	12	13,5	18,5	19,1	28,5	6,5	17,8	29,2	32,2	65	74,5	10,1	20
K0738.3081	K0738.3082	3	M8	14	16	21,2	22	37	10	23,8	38	42	80	91	11,7	22
K0738.3101	K0738.3102	3	M10	14	16	21,2	22	37	10	23,8	38	42	80	91	11,7	22

Clamping levers flat

external thread, steel parts stainless steel



Material:

Handle die-cast zinc DIN EN 12844.
Steel parts stainless steel 1.4305.

Version:

Handle plastic-coated.
Steel parts bright.

Sample order:

K0738.2061X15 (include length L)

Note:

Standard colours are:
black satin finish, orange RAL 2004.

On request:

Other external threads, screw lengths, colours
and special versions.
Dimension „H1“ available in other lengths at
extra charge.

lift to
disengage



KIPP Specifications

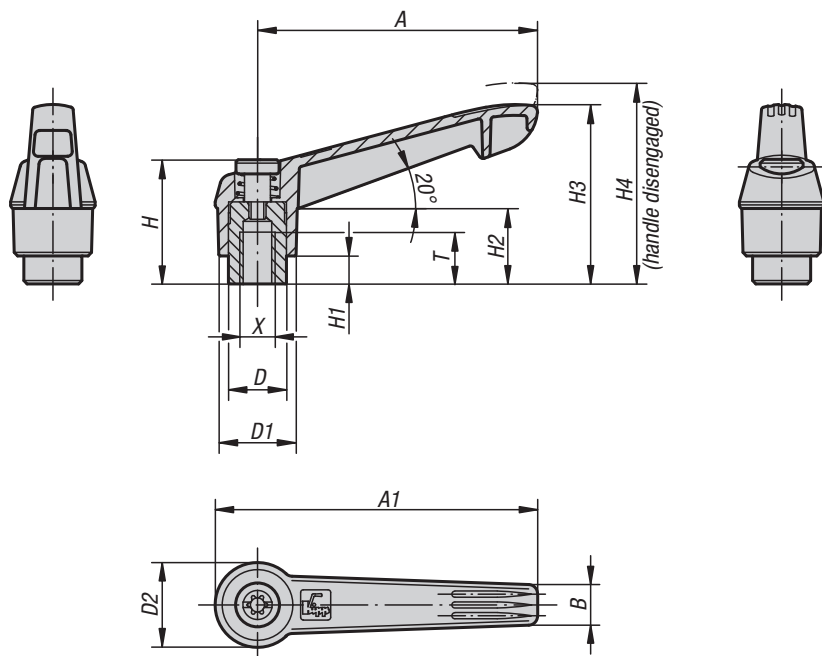
Size	X	D	D1	D2	H	H1	H2	H3	H4	A	A1	B	No. of teeth
2	M6/M8/M10	13,5	18,5	19,1	28,5	6,5	17,8	29,2	32,2	65	74,5	10,1	20
3	M8/M10	16	21,2	22	37	10	23,8	38	42	80	91	11,7	22

KIPP Clamping levers flat with external thread, stainless steel

Order No. black satin finish	Order No. orange	Size	X	L
K0738.2061X	K0738.2062X	2	M6	15/20/25/30/40/50/60
K0738.2081X	K0738.2082X	2	M8	15/20/25/30/40/50/60
K0738.2101X	K0738.2102X	2	M10	20/25/30/40/50/60
K0738.3081X	K0738.3082X	3	M8	20/25/30/40/50/60
K0738.3101X	K0738.3102X	3	M10	20/25/30/40/50/60

Clamping levers with plastic handle

internal thread



For many people the Novo-Grip clamping lever represents the key to secure and comfortable gripping. This lever provides a future-oriented and powerful solution for almost any operating and clamping problem.

Material:

Handle fibreglass reinforced plastic with die-cast zinc toothed ring.
Steel parts grade 5.8.

Version:

Steel parts black oxidised.

Sample order:

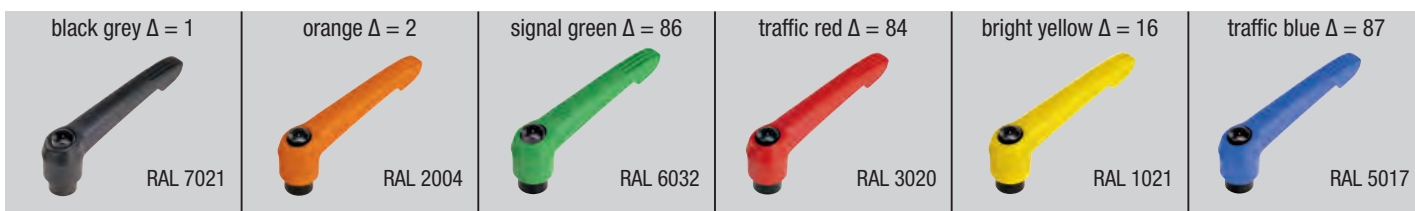
K0269.10486 (lever colour signal green)

Note:

Δ Add the desired lever colour here.

On request:

Other internal threads and special versions.
Dimension „H1“ available in other lengths at extra charge.

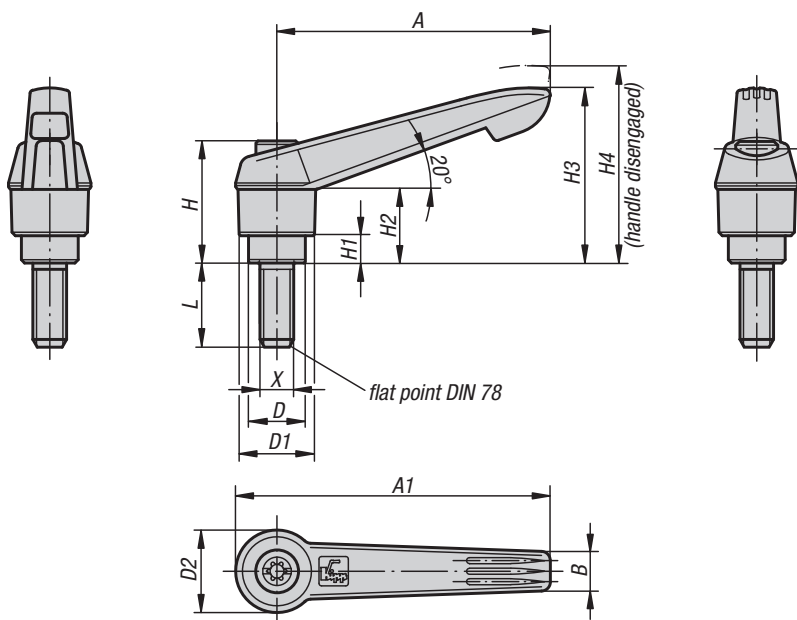


KIPP Clamping levers with plastic handle, internal thread

Order No.	Size	X	T	D	D1	D2	H	H1	H2	H3	H4	A	A1	B	No. of teeth
K0269.104Δ	1	M4	9	10	13	14,5	24,5	4	15	30	33,5	40	47	7,5	16
K0269.105Δ	1	M5	9	10	13	14,5	24,5	4	15	30	33,5	40	47	7,5	16
K0269.106Δ	1	M6	9	10	13	14,5	24,5	4	15	30	33,5	40	47	7,5	16
K0269.206Δ	2	M6	12	13,5	18	19,5	28,5	6,5	17,5	41,5	45,5	65	75	9,5	20
K0269.208Δ	2	M8	12	13,5	18	19,5	28,5	6,5	17,5	41,5	45,5	65	75	9,5	20
K0269.308Δ	3	M8	14	16	21,5	23	37	10	24	53,5	58	80	91,5	11	22
K0269.310Δ	3	M10	14	16	21,5	23	37	10	24	53,5	58	80	91,5	11	22
K0269.410Δ	4	M10	17	19	25,5	27,5	43	10	26	61	66	95	109	13	24
K0269.412Δ	4	M12	17	19	25,5	27,5	43	10	26	61	66	95	109	13	24
K0269.512Δ	5	M12	23	23	30	32,5	49	12	33	72	77	110	126	15,5	26
K0269.516Δ	5	M16	23	23	30	32,5	49	12	33	72	77	110	126	15,5	26

Clamping levers with plastic handle

external thread



For many people the Novo-Grip clamping lever represents the key to secure and comfortable gripping. This lever provides a future-oriented and powerful solution for almost any operating and clamping problem.

Material:

Handle fibreglass reinforced plastic with die-cast zinc toothed ring.
Steel parts grade 5.8.

Version:

Steel parts black oxidised.

Sample order:

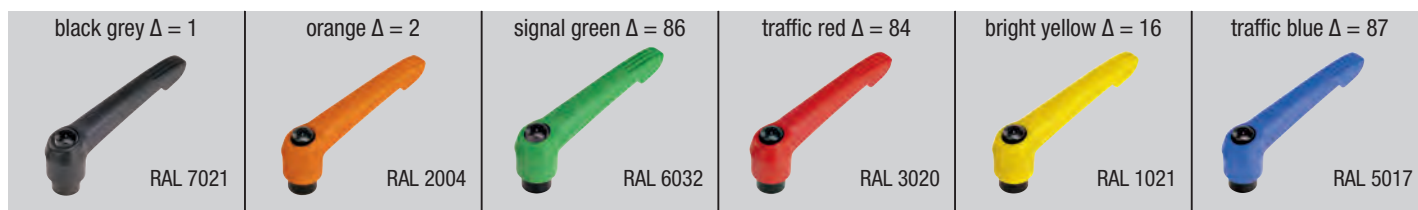
K0269.1051X40 (lever black grey; include length L)

Note:

Δ Add the desired lever colour here.

On request:

Other external threads, screw lengths and special versions.
Dimension „H1“ available in other lengths at extra charge.

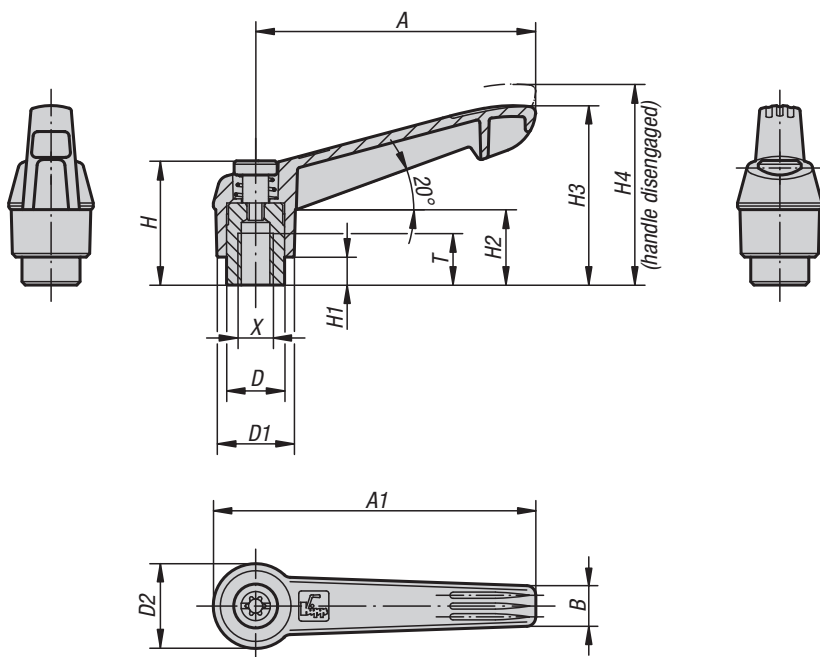


KIPP Clamping levers with plastic handle, external thread

Order No.	Size	X	D	D1	D2	H	H1	H2	H3	H4	A	A1	B	No. of teeth	L
K0269.105ΔX	1	M5	10	13	14,5	24,5	4	15	30	33,5	40	47	7,5	16	50/10/15/20/25/30/35/40/45
K0269.106ΔX	1	M6	10	13	14,5	24,5	4	15	30	33,5	40	47	7,5	16	20/15/10/25/30/35/40/45/50
K0269.206ΔX	2	M6	13,5	18	19,5	28,5	6,5	17,5	41,5	45,5	65	75	9,5	20	15/20/25/30/35/40/45/50/55/60
K0269.208ΔX	2	M8	13,5	18	19,5	28,5	6,5	17,5	41,5	45,5	65	75	9,5	20	15/20/25/30/35/40/45/50/55/60
K0269.210ΔX	2	M10	13,5	18	19,5	28,5	6,5	17,5	41,5	45,5	65	75	9,5	20	15/20/25/30/35/40/45/50/55/60
K0269.308ΔX	3	M8	16	21,5	23	37	10	24	53,5	58	80	91,5	11	22	15/20/25/30/35/40/45/50/55/60
K0269.310ΔX	3	M10	16	21,5	23	37	10	24	53,5	58	80	91,5	11	22	15/20/25/30/35/40/45/50/55/60
K0269.410ΔX	4	M10	19	25,5	27,5	43	10	26	61	66	95	109	13	24	20/25/30/35/40/45/50/55/60/70/80/90
K0269.412ΔX	4	M12	19	25,5	27,5	43	10	26	61	66	95	109	13	24	20/25/30/35/40/45/50/55/60/70/80/90
K0269.512ΔX	5	M12	23	30	32,5	49	12	33	72	77	110	126	15,5	26	25/30/35/40/45/50/55/60/70/80/90
K0269.516ΔX	5	M16	23	30	32,5	49	12	33	72	77	110	126	15,5	26	25/30/35/40/45/50/55/60/70/80/90

Clamping levers with plastic handle

internal thread, steel parts stainless steel



For many people the Novo-Grip clamping lever represents the key to secure and comfortable gripping. This lever provides a future-oriented and powerful solution for almost any operating and clamping problem.

Material:

Handle fibreglass reinforced plastic with die-cast zinc toothed ring.
Steel parts stainless steel 1.4305.

Version:

Steel parts bright.

Sample order:

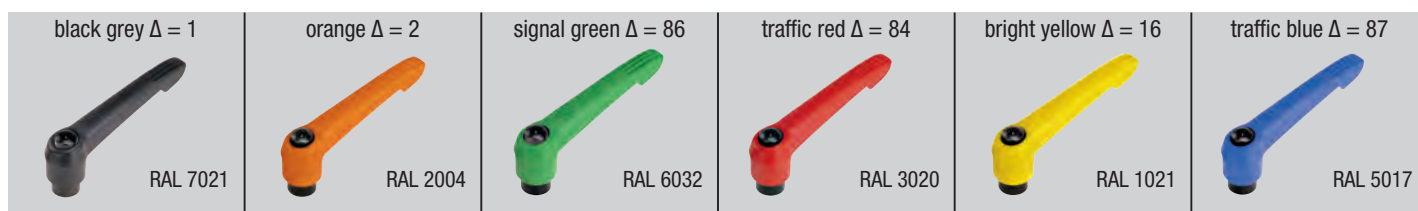
K0270.10486 (lever colour signal green)

Note:

Δ Add the desired lever colour here.

On request:

Other internal threads and special versions.
Dimension „H1“ available in other lengths at extra charge.

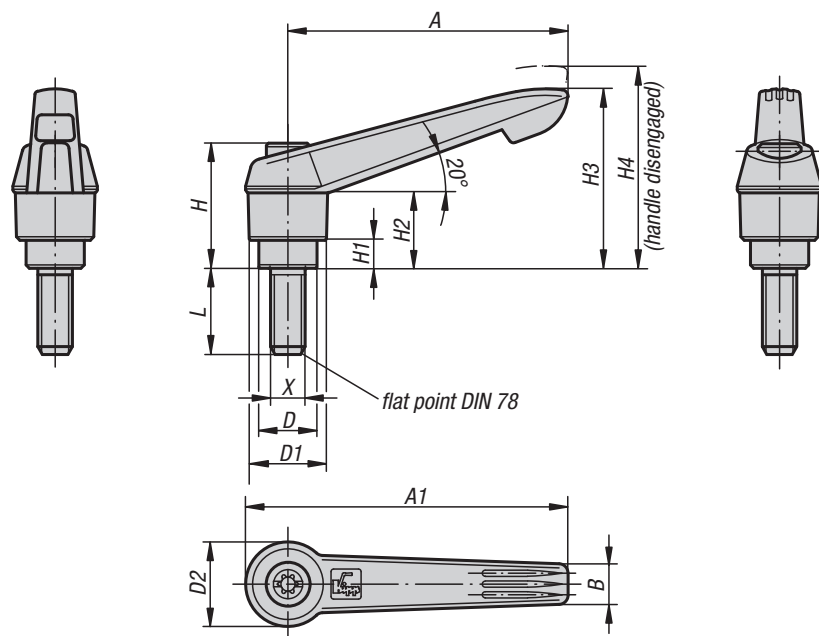


KIPP Clamping levers with plastic handle, internal thread, metal parts stainless steel

Order No.	Size	X	T	D	D1	D2	H	H1	H2	H3	H4	A	A1	B	No. of teeth
K0270.104Δ	1	M4	9	10	13	14,5	24,5	4	15	30	33,5	40	47	7,5	16
K0270.105Δ	1	M5	9	10	13	14,5	24,5	4	15	30	33,5	40	47	7,5	16
K0270.106Δ	1	M6	9	10	13	14,5	24,5	4	15	30	33,5	40	47	7,5	16
K0270.206Δ	2	M6	12	13,5	18	19,5	28,5	6,5	17,5	41,5	45,5	65	75	9,5	20
K0270.208Δ	2	M8	12	13,5	18	19,5	28,5	6,5	17,5	41,5	45,5	65	75	9,5	20
K0270.308Δ	3	M8	14	16	21,5	23	37	10	24	53,5	58	80	91,5	11	22
K0270.310Δ	3	M10	14	16	21,5	23	37	10	24	53,5	58	80	91,5	11	22
K0270.410Δ	4	M10	17	19	25,5	27,5	43	10	26	61	66	95	109	13	24
K0270.412Δ	4	M12	17	19	25,5	27,5	43	10	26	61	66	95	109	13	24
K0270.512Δ	5	M12	23	23	30	32,5	49	12	33	72	77	110	126	15,5	26
K0270.516Δ	5	M16	23	23	30	32,5	49	12	33	72	77	110	126	15,5	26

Clamping levers with plastic handle

external thread, steel parts stainless steel



For many people the Novo-Grip clamping lever represents the key to secure and comfortable gripping. This lever provides a future-oriented and powerful solution for almost any operating and clamping problem.

Material:

Handle fibreglass reinforced plastic with die-cast zinc toothed ring.

Steel parts stainless steel 1.4305.

Version:

Steel parts bright.

Sample order:

K0270.1051X20 (lever black grey; include length L)

Note:

Δ Add the desired lever colour here.

On request:

Other external threads, screw lengths and special versions.

Dimension „H1“ available in other lengths at extra charge.



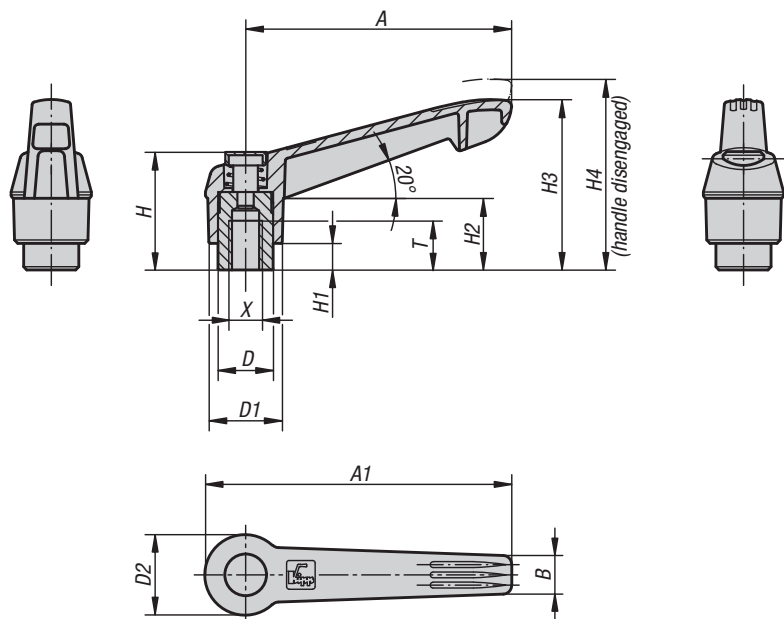
black grey Δ = 1 RAL 7021	orange Δ = 2 RAL 2004	signal green Δ = 86 RAL 6032	traffic red Δ = 84 RAL 3020	bright yellow Δ = 16 RAL 1021	traffic blue Δ = 87 RAL 5017
----------------------------------	------------------------------	-------------------------------------	------------------------------------	--------------------------------------	-------------------------------------

KIPP Clamping levers with plastic handle, external thread, metal parts stainless steel

Order No.	Size	X	D	D1	D2	H	H1	H2	H3	H4	A	A1	B	No. of teeth	L
K0270.105ΔX	1	M5	10	13	14,5	24,5	4	15	30	33,5	40	47	7,5	16	10/15/20/25
K0270.106ΔX	1	M6	10	13	14,5	24,5	4	15	30	33,5	40	47	7,5	16	10/15/20/25/30/40/50
K0270.206ΔX	2	M6	13,5	18	19,5	28,5	6,5	17,5	41,5	45,5	65	75	9,5	20	15/20/25/30/40/50/60
K0270.208ΔX	2	M8	13,5	18	19,5	28,5	6,5	17,5	41,5	45,5	65	75	9,5	20	15/20/25/30/40/50/60
K0270.210ΔX	2	M10	13,5	18	19,5	28,5	6,5	17,5	41,5	45,5	65	75	9,5	20	20/25/30/40/50/60
K0270.308ΔX	3	M8	16	21,5	23	37	10	24	53,5	58	80	91,5	11	22	20/25/30/40/50/60
K0270.310ΔX	3	M10	16	21,5	23	37	10	24	53,5	58	80	91,5	11	22	20/25/30/40/50/60
K0270.412ΔX	4	M12	19	25,5	27,5	43	10	26	61	66	95	109	13	24	25/30/40/50/60
K0270.516ΔX	5	M16	23	30	32,5	49	12	33	72	77	110	126	15,5	26	30/40/50/60

Clamping levers with push button

internal thread



Material:

Handle fibreglass reinforced plastic, toothed ring die-cast zinc.
Steel parts grade 5.8.
Push button plastic (POM).

Version:

Steel parts black oxidised.

Sample order:

K0269.71104
(clamping lever black grey, push button traffic red)

Note:

Δ Enter the desired lever colour here.
The standard colours are:
Black grey clamping lever, traffic red push button.
Orange clamping lever, black grey push button.
Traffic red clamping lever, black grey push button.

On request:

Other internal threads and special versions.
Dimension „H1“ available in other lengths at extra charge.



KIPP Clamping levers with push button, internal thread

Order No.	Size	X	T	D	D1	D2	H	H1	H2	H3	H4	A	A1	B	No. of teeth
K0269.7Δ104	1	M4	9	10	13	14,5	25,5	4	15	30	33,5	40	47	7,5	16
K0269.7Δ105	1	M5	9	10	13	14,5	25,5	4	15	30	33,5	40	47	7,5	16
K0269.7Δ106	1	M6	9	10	13	14,5	25,5	4	15	30	33,5	40	47	7,5	16
K0269.7Δ206	2	M6	12	13,5	18	19,5	29,5	6,5	17,5	41,5	45,5	65	75	9,5	20
K0269.7Δ208	2	M8	12	13,5	18	19,5	29,5	6,5	17,5	41,5	45,5	65	75	9,5	20
K0269.7Δ308	3	M8	14	16	21,5	23	38,5	10	24	53,5	58	80	91,5	11	22
K0269.7Δ310	3	M10	14	16	21,5	23	38,5	10	24	53,5	58	80	91,5	11	22
K0269.7Δ410	4	M10	17	19	25,5	27,5	44,6	10	26	61	66	95	109	13	24
K0269.7Δ412	4	M12	17	19	25,5	27,5	44,6	10	26	61	66	95	109	13	24
K0269.7Δ512	5	M12	23	23	30	32,5	50,6	12	33	72	77	110	126	15,5	26
K0269.7Δ516	5	M16	23	23	30	32,5	50,6	12	33	72	77	110	126	15,5	26

Clamping levers with push button

external thread



Material:

Handle fibreglass reinforced plastic, toothed ring die-cast zinc.
Steel parts grade 5.8.
Push button plastic (POM).

Version:

Steel parts black oxidised.

Sample order:

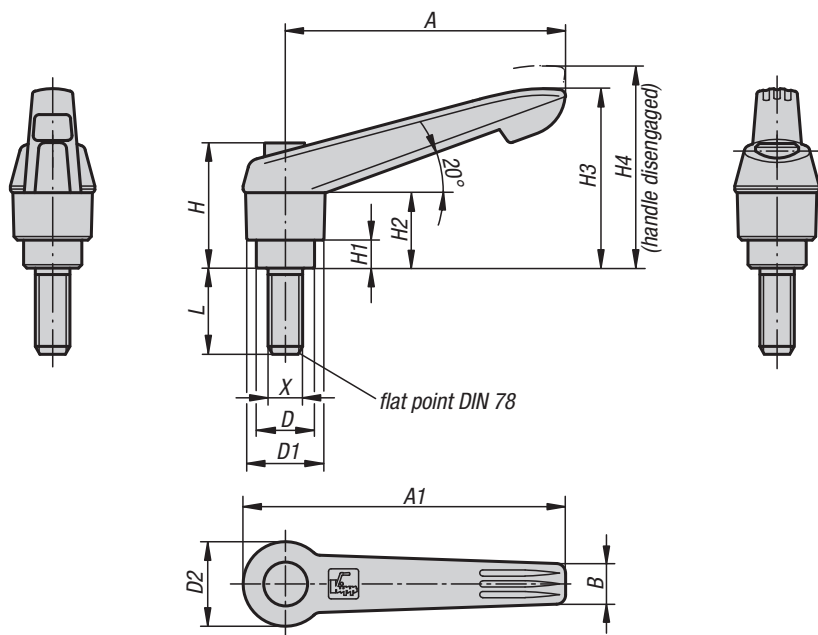
K0269.71105X10
(clamping lever black grey, push button traffic red.
Include length L)

Note:

Δ Enter the desired lever colour here.
The standard colours are:
Black grey clamping lever, traffic red push button.
Orange clamping lever, black grey push button.
Traffic red clamping lever, black grey push button.

On request:

Other external threads, screw lengths and special versions.
Dimension „H1“ available in other lengths at extra charge.

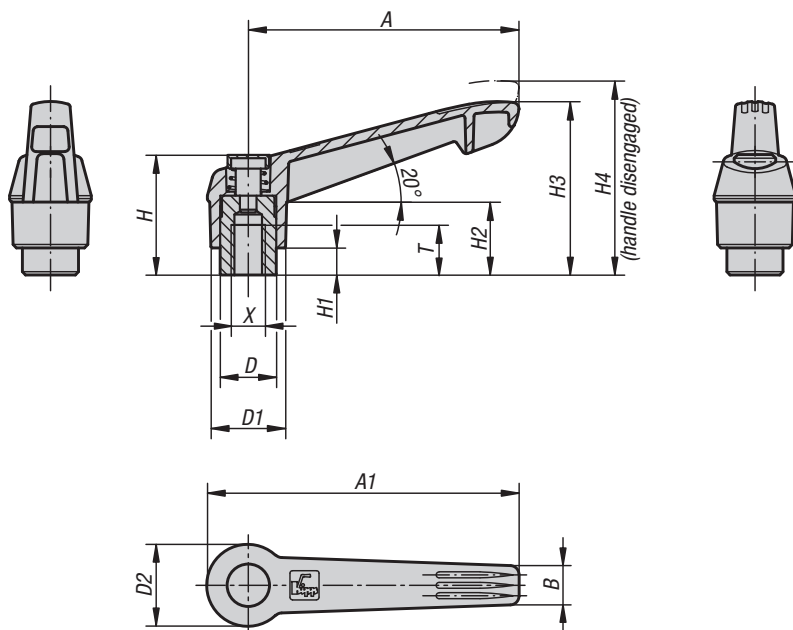


KIPP Clamping lever with push button, external thread

Order No.	Size	X	D	D1	D2	H	H1	H2	H3	H4	A	A1	B	No. of teeth	L
K0269.7Δ105X	1	M5	10	13	14,5	25,5	4	15	30	33,5	40	47	7,5	16	10\15\20\25\30\35\40\45\50
K0269.7Δ106X	1	M6	10	13	14,5	25,5	4	15	30	33,5	40	47	7,5	16	10\15\20\25\30\35\40\45\50
K0269.7Δ206X	2	M6	13,5	18	19,5	29,5	6,5	17,5	41,5	45,5	65	75	9,5	20	15\20\25\30\35\40\45\50\55\60
K0269.7Δ208X	2	M8	13,5	18	19,5	29,5	6,5	17,5	41,5	45,5	65	75	9,5	20	15\20\25\30\35\40\45\50\55\60
K0269.7Δ210X	2	M10	13,5	18	19,5	29,5	6,5	17,5	41,5	45,5	65	75	9,5	20	15\20\25\30\35\40\45\50\55\60
K0269.7Δ308X	3	M8	16	21,5	23	38,5	10	24	53,5	58	80	91,5	11	22	15\20\25\30\35\40\45\50\55\60
K0269.7Δ310X	3	M10	16	21,5	23	38,5	10	24	53,5	58	80	91,5	11	22	15\20\25\30\35\40\45\50\55\60
K0269.7Δ410X	4	M10	19	25,5	27,5	44,6	10	26	61	66	95	109	13	24	20\25\30\35\40\45\50\55\60\70\80\90
K0269.7Δ412X	4	M12	19	25,5	27,5	44,6	10	26	61	66	95	109	13	24	20\25\30\35\40\45\50\55\60\70\80\90
K0269.7Δ512X	5	M12	23	30	32,5	50,6	12	33	72	77	110	126	15,5	26	25\30\35\40\45\50\55\60\70\80\90
K0269.7Δ516X	5	M16	23	30	32,5	50,6	12	33	72	77	110	126	15,5	26	25\30\35\40\45\50\55\60\70\80\90

Clamping levers with push button

internal thread, metal parts stainless-steel



Material:

Handle fibreglass reinforced plastic, toothed ring die-cast zinc.
Metal parts stainless steel 1.4305.
Push button plastic (POM).

Version:

Steel parts bright.

Sample order:

K0270.71104
(clamping lever black grey, push button traffic red)

Note:

Δ Enter the desired lever colour here.
The standard colours are:
Black grey clamping lever, traffic red push button.
Orange clamping lever, black grey push button.
Traffic red clamping lever, black grey push button.

On request:

Other internal threads and special versions.
Dimension „H1“ available in other lengths at extra charge.

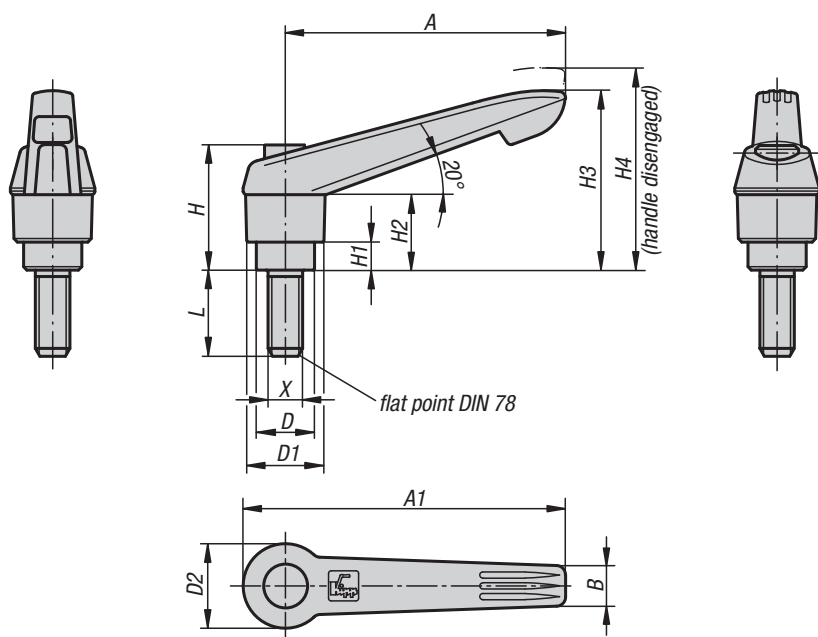


KIPP Clamping levers with push button, internal thread, metal parts stainless steel

Order No.	Size	X	T	D	D1	D2	H	H1	H2	H3	H4	A	A1	B	No. of teeth
K0270.7Δ104	1	M4	9	10	13	14,5	25,5	4	15	30	33,5	40	47	7,5	16
K0270.7Δ105	1	M5	9	10	13	14,5	25,5	4	15	30	33,5	40	47	7,5	16
K0270.7Δ106	1	M6	9	10	13	14,5	25,5	4	15	30	33,5	40	47	7,5	16
K0270.7Δ206	2	M6	12	13,5	18	19,5	29,5	6,5	17,5	41,5	45,5	65	75	9,5	20
K0270.7Δ208	2	M8	12	13,5	18	19,5	29,5	6,5	17,5	41,5	45,5	65	75	9,5	20
K0270.7Δ308	3	M8	14	16	21,5	23	38,5	10	24	53,5	58	80	91,5	11	22
K0270.7Δ310	3	M10	14	16	21,5	23	38,5	10	24	53,5	58	80	91,5	11	22
K0270.7Δ410	4	M10	17	19	25,5	27,5	44,6	10	26	61	66	95	109	13	24
K0270.7Δ412	4	M12	17	19	25,5	27,5	44,6	10	26	61	66	95	109	13	24
K0270.7Δ512	5	M12	23	23	30	32,5	50,6	12	33	72	77	110	126	15,5	26
K0270.7Δ516	5	M16	23	23	30	32,5	50,6	12	33	72	77	110	126	15,5	26

Clamping lever with push button

external thread, metal parts stainless-steel



Material:

Handle fibreglass reinforced plastic, toothed ring die-cast zinc.

Metal parts stainless steel 1.4305.

Push button plastic (POM).

Version:

Steel parts bright.

Sample order:

K0270.71105X10

(Clamping lever black grey, push button traffic red. Include length L)

Note:

Δ Enter the desired lever colour here.

The standard colours are:

Black grey clamping lever, traffic red push button.

Orange clamping lever, black grey push button.

Traffic red clamping lever, black grey push button.

On request:

Other external threads, screw lengths and special versions.

Dimension „H1“ available in other lengths at extra charge.

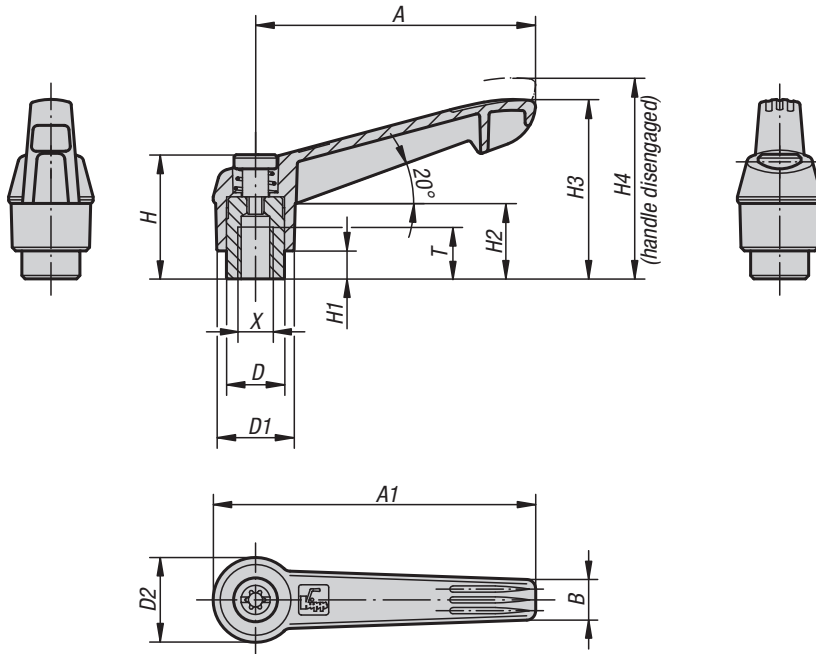


KIPP Clamping levers with push button, external thread, metal parts stainless steel

Order No.	Size	X	D	D1	D2	H	H1	H2	H3	H4	A	A1	B	No. of teeth	L
K0270.7Δ105X	1	M5	10	13	14,5	25,5	4	15	30	33,5	40	47	7,5	16	10\15\20\25
K0270.7Δ106X	1	M6	10	13	14,5	25,5	4	15	30	33,5	40	47	7,5	16	10\15\20\25\30\40\50
K0270.7Δ206X	2	M6	13,5	18	19,5	29,5	6,5	17,5	41,5	45,5	65	75	9,5	20	15\20\25\30\40\50\60
K0270.7Δ208X	2	M8	13,5	18	19,5	29,5	6,5	17,5	41,5	45,5	65	75	9,5	20	15\20\25\30\40\50\60
K0270.7Δ210X	2	M10	13,5	18	19,5	29,5	6,5	17,5	41,5	45,5	65	75	9,5	20	20\25\30\40\50\60
K0270.7Δ308X	3	M8	16	21,5	23	38,5	10	24	53,5	58	80	91,5	11	22	20\25\30\40\50\60
K0270.7Δ310X	3	M10	16	21,5	23	38,5	10	24	53,5	58	80	91,5	11	22	20\25\30\40\50\60
K0270.7Δ412X	4	M12	19	25,5	27,5	44,6	10	26	61	66	95	109	13	24	25\30\40\50\60
K0270.7Δ516X	5	M16	23	30	32,5	50,6	12	33	72	77	110	126	15,5	26	30\40\50\60

Clamping levers antistatic

internal thread, plastic grip



Material:

Handles reinforced plastic, toothed ring die-cast zinc. Steel parts grade 5.8.

Version:

Steel parts black oxidised, handles graphite black.

Sample order:

K0269.1120624

Application:

Sensitive electrical or electronic equipment, components and devices (ESD sensitive elements) may be damaged or destroyed by electrostatic discharges (ESD) in the immediate vicinity.

Electrostatic discharges can come from people or through handling ESD sensitive components (e.g. during production, assembly, transport, storage etc).

Electrically conductive products which conform to DIN EN 61340-5-1 are essential within electronic environments to prevent an electrostatic discharge.

These products can be used for ESD applications or in ESD protection areas (EPA) in accordance with DIN EN 61340-5-1.

The yellow ESD logo is printed on the side of the product to clearly identify it.

Safety:

These ESD products can also be used for devices, components and protection systems in areas with high risk of explosion. Use of these ESD products prevents the occurrence of electrostatic spark discharges, eliminating the potential ignition of gases and dusts which could lead to explosions in enclosed spaces.

Manufacturers and operators must use and conform to ATEX directives for the protection of persons working in areas with high risk of explosion.

These ESD products are certified by TÜV-Süd in relation to their electrical discharge capability.

Target groups:

Device manufacturers required to conform to ATEX product directive 2014/34/EU.

Operators required to conform to ATEX worker protection directive 1999/92/EC.

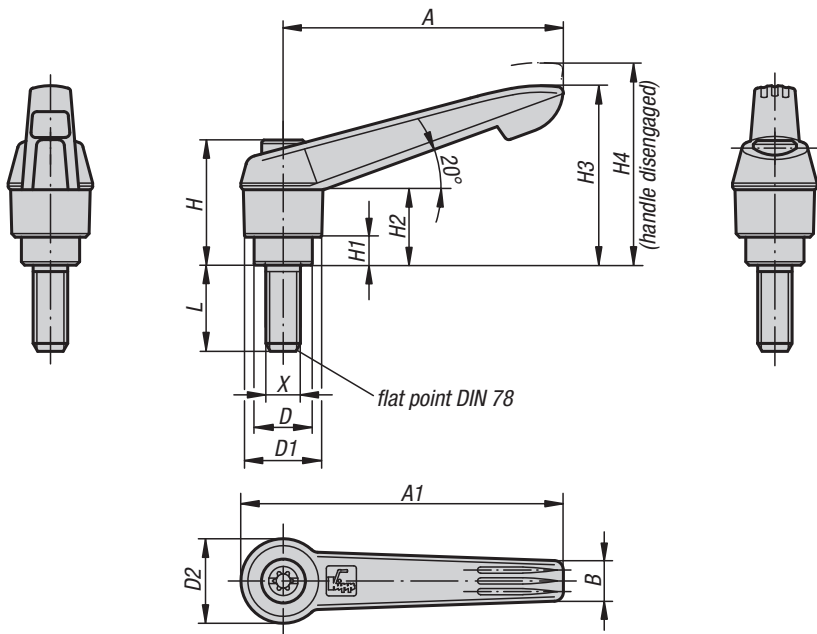


KIPP Clamping levers antistatic, internal thread, plastic grip

Order No.	Colour	Size	X	T	D	D1	D2	H	H1	H2	H3	H4	A	A1	B	No. of teeth
K0269.1120624	graphite black	2	M6	12	13,5	18	19,5	28,5	6,5	17,5	41,5	45,5	65	75	9,5	20
K0269.1120824	graphite black	2	M8	12	13,5	18	19,5	28,5	6,5	17,5	41,5	45,5	65	75	9,5	20

Clamping levers antistatic

external thread, plastic grip



Material:

Handles reinforced plastic, toothed ring die-cast zinc. Steel parts grade 5.8.

Version:

Steel parts black oxidised, handles graphite black.

Sample order:

K0269.1120624X20

Application:

Sensitive electrical or electronic equipment, components and devices (ESD sensitive elements) may be damaged or destroyed by electrostatic discharges (ESD) in the immediate vicinity.

Electrostatic discharges can come from people or through handling ESD sensitive components (e.g. during production, assembly, transport, storage etc).

Electrically conductive products which conform to DIN EN 61340-5-1 are essential within electronic environments to prevent an electrostatic discharge.

These products can be used for ESD applications or in ESD protection areas (EPA) in accordance with DIN EN 61340-5-1. The yellow ESD logo is printed on the side of the product to clearly identify it.

Safety:

These ESD products can also be used for devices, components and protection systems in areas with high risk of explosion. Use of these ESD products prevents the occurrence of electrostatic spark discharges, eliminating the potential ignition of gases and dusts which could lead to explosions in enclosed spaces.

Manufacturers and operators must use and conform to ATEX directives for the protection of persons working in areas with high risk of explosion.

These ESD products are certified by TÜV-Süd in relation to their electrical discharge capability.

Target groups:

Device manufacturers required to conform to ATEX product directive 2014/34/EU.

Operators required to conform to ATEX worker protection directive 1999/92/EC.

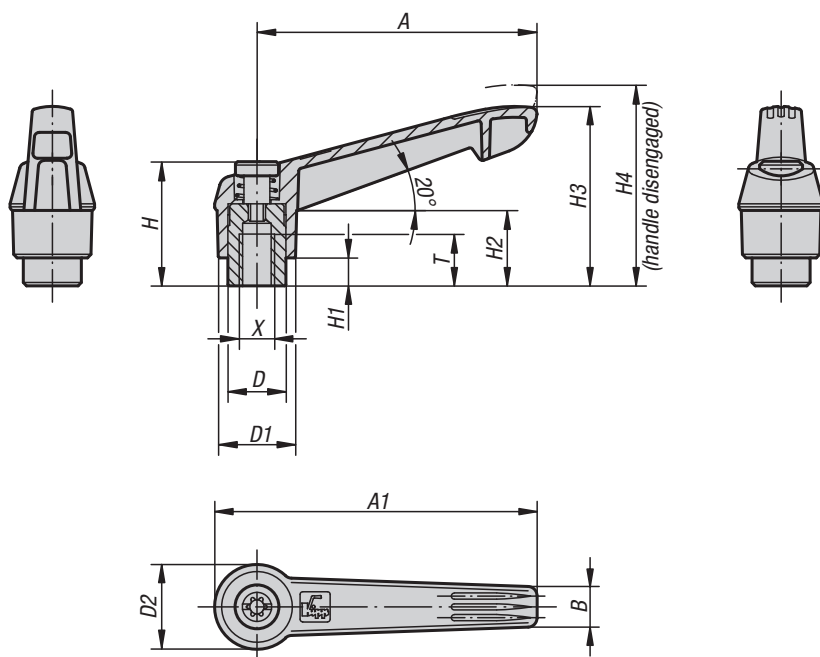


KIPP Clamping levers antistatic, external thread, plastic grip

Order No.	Colour	Size	X	D	D1	D2	H	H1	H2	H3	H4	A	A1	B	No. of teeth	L
K0269.1120624X20	graphite black	2	M6	13,5	18	19,5	28,5	6,5	17,5	41,5	45,5	65	75	9,5	20	20
K0269.1120824X20	graphite black	2	M8	13,5	18	19,5	28,5	6,5	17,5	41,5	45,5	65	75	9,5	20	20
K0269.1121024X20	graphite black	2	M10	13,5	18	19,5	28,5	6,5	17,5	41,5	45,5	65	75	9,5	20	20

Clamping levers antibacterial

internal thread, plastic grip, metal parts stainless steel



Material:

Handles slate grey reinforced plastic, toothed ring die-cast zinc. Steel parts stainless steel 1.4305.

Version:

Stainless steel bright.

Sample order:

K0270.12206144

Application:

The antibacterial KIPP MEDI grip products are highly effective against a variety of hazardous microorganisms, such as bacteria, fungi, viruses and even multi-resistant bacteria (e.g. MRSA). The plastic used incorporates micro-silver particles with an antimicrobial effect to ensure effective results throughout the entire product life cycle.

Function:

Silver ions are effective in preventing harmful microorganisms from forming on the product surface, promoting a constant reduction of the existing germs on the MEDI grip products (as tested and confirmed by an accredited testing laboratory). During cleaning cycles the risk of infection while touching these products is significantly lower.

Advantages:

Resistant to humidity and cleaning products (during disinfection) with no toxic side effects.

Applications:

For installation on machines, equipment, plants and furnishings in areas with increased hygienic requirements (including hospitals, doctors' surgeries, rehabilitation centres and food production facilities), as well as for use in public areas or regularly frequented institutions (i.e. nursing homes or daycare centres).

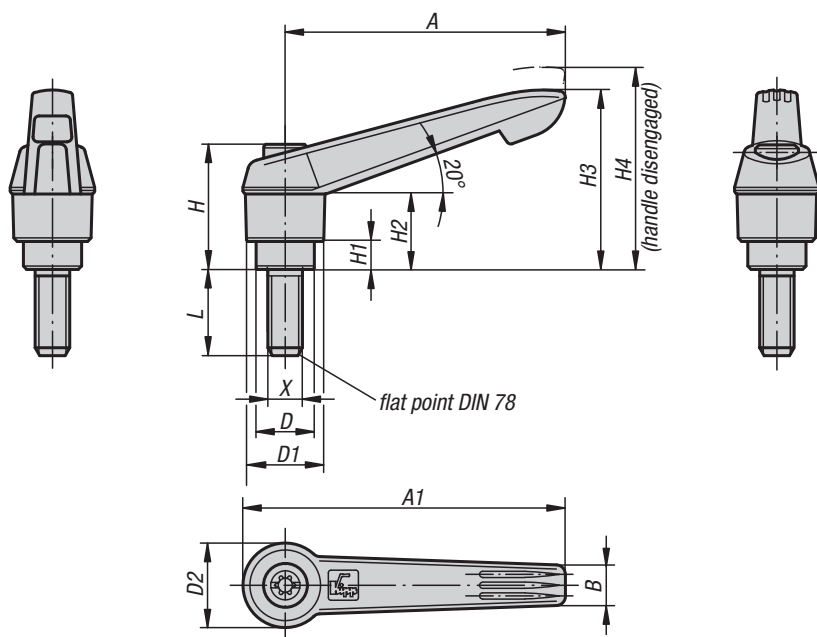


KIPP Clamping levers antibacterial, internal thread, plastic grip, metal parts stainless steel

Order No.	Size	X	T	D	D1	D2	H	H1	H2	H3	H4	A	A1	B	No. of teeth
K0270.12206144	2	M6	12	13,5	18	19,5	28,5	6,5	17,5	41,5	45,5	65	75	9,5	20
K0270.12208144	2	M8	12	13,5	18	19,5	28,5	6,5	17,5	41,5	45,5	65	75	9,5	20

Clamping levers antibacterial

external thread, plastic grip, metal parts stainless steel



Material:

Handles slate grey reinforced plastic, toothed ring die-cast zinc. Steel parts stainless steel 1.4305.

Version:

Stainless steel bright.

Sample order:

K0270.12210144X20

Application:

The antibacterial KIPP MEDI grip products are highly effective against a variety of hazardous microorganisms, such as bacteria, fungi, viruses and even multi-resistant bacteria (e.g. MRSA). The plastic used incorporates micro-silver particles with an antimicrobial effect to ensure effective results throughout the entire product life cycle.

Function:

Silver ions are effective in preventing harmful microorganisms from forming on the product surface, promoting a constant reduction of the existing germs on the MEDI grip products (as tested and confirmed by an accredited testing laboratory). During cleaning cycles the risk of infection while touching these products is significantly lower.

Advantages:

Resistant to humidity and cleaning products (during disinfection) with no toxic side effects.

Applications:

For installation on machines, equipment, plants and furnishings in areas with increased hygienic requirements (including hospitals, doctors' surgeries, rehabilitation centres and food production facilities), as well as for use in public areas or regularly frequented institutions (i.e. nursing homes or daycare centres).

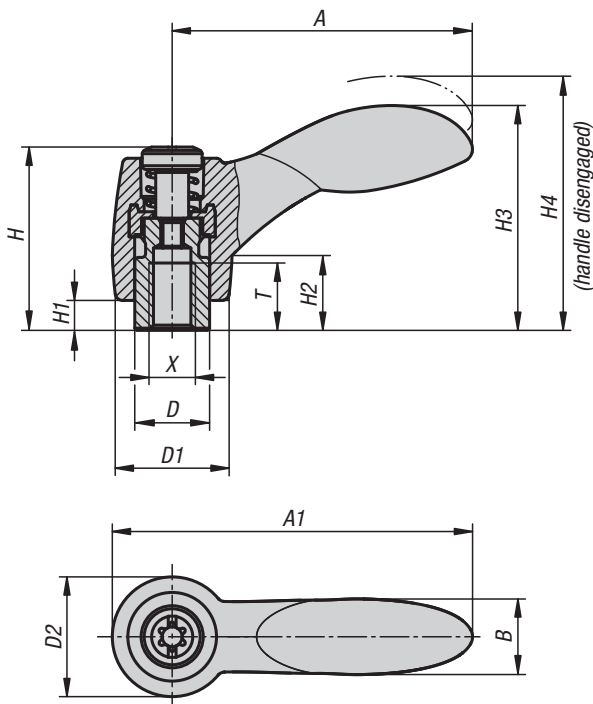


KIPP Clamping levers antibacterial, external thread, plastic grip, metal parts stainless steel

Order No.	Size	X	D	D1	D2	H	H1	H2	H3	H4	A	A1	B	No. of teeth	L
K0270.12206144X20	2	M6	13,5	18	19,5	28,5	6,5	17,5	41,5	45,5	65	75	9,5	20	20
K0270.12208144X20	2	M8	13,5	18	19,5	28,5	6,5	17,5	41,5	45,5	65	75	9,5	20	20
K0270.12210144X20	2	M10	13,5	18	19,5	28,5	6,5	17,5	41,5	45,5	65	75	9,5	20	20

Clamping levers 2K

internal thread



Material:

Handle:

Hard component fibreglass reinforced plastic with die-cast zinc toothed ring.

Soft component Thermoflex based on SEBS.

Steel parts:
grade 5.8.

Version:

Steel parts black oxidised.

Sample order:

K0125.10401

Note:

The hard and soft components are supplied in black grey RAL 7021 as standard.

On request:

Other internal threads, colour combinations and special versions.

Dimension „H1“ available in other lengths on request at extra charge.



lift to
disengage

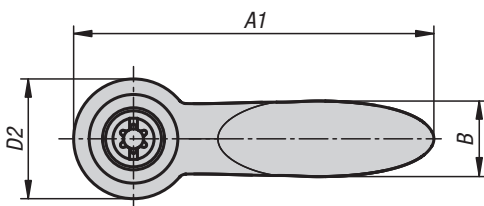
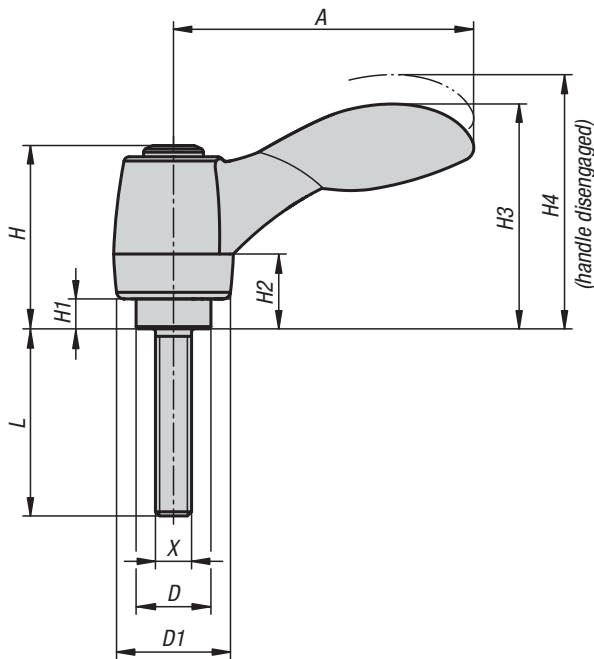


KIPP Clamping levers 2K with internal thread

Order No.	Size	X	T	D	D1	D2	H	H1	H2	H3	H4	A	A1	B	No. of teeth
K0125.10401	1	M4	9	10	15	16	24,5	4	10	30	33,5	40,1	48,1	10,1	16
K0125.10501	1	M5	9	10	15	16	24,5	4	10	30	33,5	40,1	48,1	10,1	16
K0125.10601	1	M6	9	10	15	16	24,5	4	10	30	33,5	40,1	48,1	10,1	16
K0125.20601	2	M6	12	13,5	17,5	19	28,5	6,5	12,5	41,2	45,2	64,9	74,4	17,6	20
K0125.20801	2	M8	12	13,5	17,5	19	28,5	6,5	12,5	41,2	45,2	64,9	74,4	17,6	20
K0125.30801	3	M8	14	16	21	22	37	10	17	51,6	56,1	80,2	91,2	20,7	22
K0125.31001	3	M10	14	16	21	22	37	10	17	51,6	56,1	80,2	91,2	20,7	22

Clamping levers 2K

external thread



Material:

Handle:

Hard component fibreglass reinforced plastic with die-cast zinc toothed ring.

Soft component Thermoflex based on SEBS.

Steel parts:
grade 5.8.

Version:

Steel parts black oxidised.

Sample order:

K0125.10501X10 (include length L)

Note:

The hard and soft components are supplied in black grey RAL 7021 as standard.

On request:

Other external threads, screw lengths, colour combinations and special versions.

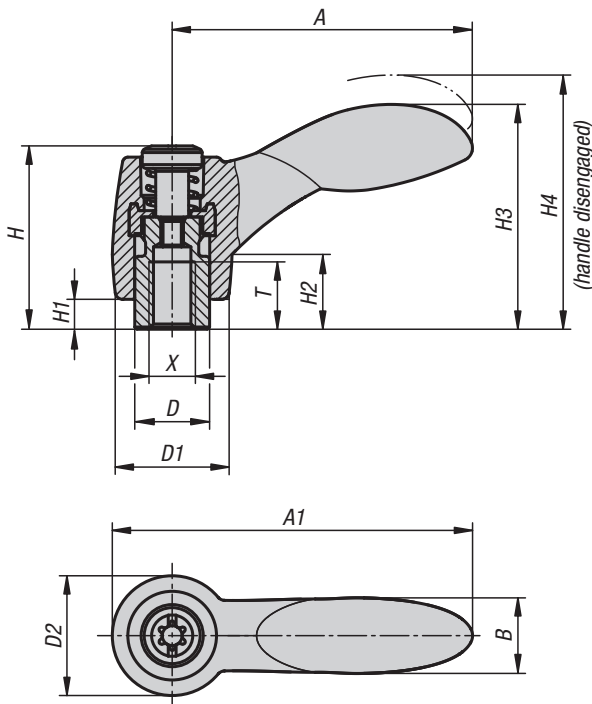
Dimension „H1“ available in other lengths on request at extra charge.

KIPP Clamping levers 2K with external thread

Order No.	Size	X	D	D1	D2	H	H1	H2	H3	H4	A	A1	B	No. of teeth	L
K0125.10501X	1	M5	10	15	16	24,5	4	10	30	33,5	40,1	48,1	10,1	16	10/15/20/25/30/35/40/45/50
K0125.10601X	1	M6	10	15	16	24,5	4	10	30	33,5	40,1	48,1	10,1	16	10/15/20/25/30/35/40/45/50
K0125.20601X	2	M6	13,5	17,5	19	28,5	6,5	12,5	41,2	45,2	64,9	74,4	17,6	20	15/20/25/30/35/40/45/50/55/60
K0125.20801X	2	M8	13,5	17,5	19	28,5	6,5	12,5	41,2	45,2	64,9	74,4	17,6	20	15/20/25/30/35/40/45/50/55/60
K0125.21001X	2	M10	13,5	17,5	19	28,5	6,5	12,5	41,2	45,2	64,9	74,4	17,6	20	15/20/25/30/35/40/45/50/55/60
K0125.30801X	3	M8	16	21	22	37	10	17	51,6	56,1	80,2	91,2	20,7	22	15/20/25/30/35/40/45/50/55/60
K0125.31001X	3	M10	16	21	22	37	10	17	51,6	56,1	80,2	91,2	20,7	22	15/20/25/30/35/40/45/50/55/60

Clamping levers 2K

internal thread, metal parts stainless steel



Material:

Handle:

Hard component in glass-fibre-reinforced plastic with toothed wheel in die cast zinc.

Soft component: Thermoflex based on SEBS.

Steel parts:

Stainless steel, 1.4305.

Version:

Steel parts bright.

Sample order:

K0126.10401

Note:

The hard and soft components are supplied in black grey RAL 7021 as standard.

On request:

Other internal threads, colour combinations and special versions.

Dimension „H1“ available in other lengths on request at extra charge.

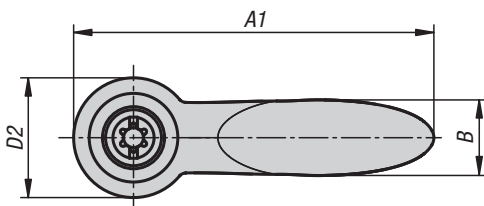
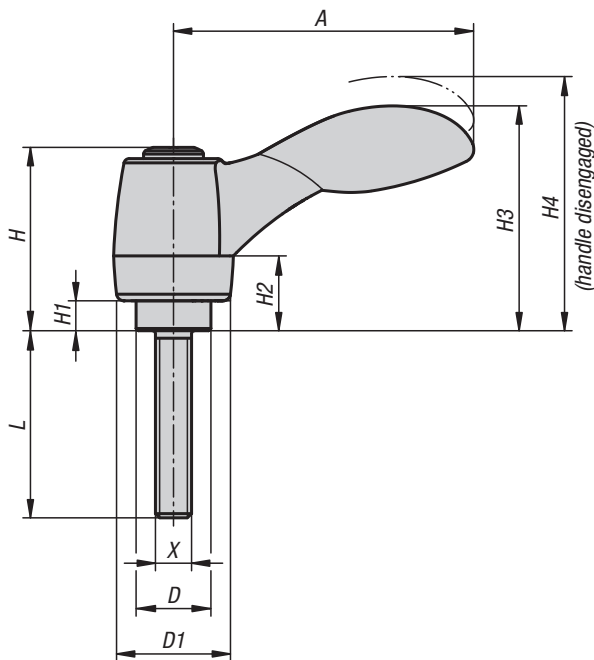


KIPP Clamping levers 2K with internal thread, metal parts stainless steel

Order No.	Size	X	T	D	D1	D2	H	H1	H2	H3	H4	A	A1	B	No. of teeth
K0126.10401	1	M4	9	10	15	16	24,5	4	10	30	33,5	40,1	48,1	10,1	16
K0126.10501	1	M5	9	10	15	16	24,5	4	10	30	33,5	40,1	48,1	10,1	16
K0126.10601	1	M6	9	10	15	16	24,5	4	10	30	33,5	40,1	48,1	10,1	16
K0126.20601	2	M6	12	13,5	17,5	19	28,5	6,5	12,5	41,2	45,2	64,9	74,4	17,6	20
K0126.20801	2	M8	12	13,5	17,5	19	28,5	6,5	12,5	41,2	45,2	64,9	74,4	17,6	20
K0126.30801	3	M8	14	16	21	22	37	10	17	51,6	56,1	80,2	91,2	20,7	22
K0126.31001	3	M10	14	16	21	22	37	10	17	51,6	56,1	80,2	91,2	20,7	22

Clamping levers 2K

external thread, metal parts stainless steel



Material:

Handle:

Hard component in glass-fibre-reinforced plastic with toothed wheel in die cast zinc.

Soft component: Thermoflex based on SEBS.

Steel parts:

Stainless steel 1.4305

Version:

Steel parts bright.

Sample order:

K0126.10501X10 (include length L)

Note:

The hard and soft components are supplied in black grey RAL 7021 as standard.

On request:

Other external threads, screw lengths, colour combinations and special versions.

Dimension „H1“ available in other lengths at extra charge.

KIPP Clamping levers 2K with external thread, metal parts stainless steel

Order No.	Size	X	D	D1	D2	H	H1	H2	H3	H4	A	A1	B	No. of teeth	L
K0126.10501X	1	M5	10	15	16	24,5	4	10	30	33,5	40,1	48,1	10,1	16	10/15/20/25
K0126.10601X	1	M6	10	15	16	24,5	4	10	30	33,5	40,1	48,1	10,1	16	10/15/20/25/30/40/50
K0126.20601X	2	M6	13,5	17,5	19	28,5	6,5	12,5	41,2	45,2	64,9	74,4	17,6	20	15/20/25/30/40/50/60
K0126.20801X	2	M8	13,5	17,5	19	28,5	6,5	12,5	41,2	45,2	64,9	74,4	17,6	20	15/20/25/30/40/50/60
K0126.21001X	2	M10	13,5	17,5	19	28,5	6,5	12,5	41,2	45,2	64,9	74,4	17,6	20	20/25/30/40/50/60
K0126.30801X	3	M8	16	21	22	37	10	17	51,6	56,1	80,2	91,2	20,7	22	20/25/30/40/50/60
K0126.31001X	3	M10	16	21	22	37	10	17	51,6	56,1	80,2	91,2	20,7	22	20/25/30/40/50/60

Clamping lever ECO

internal thread



Material:

Handle and insert reinforced plastic.

For size 1 and 2, brass bush.

For size 3, steel bush.

Version:

Steel blue chromed.

Sample order:

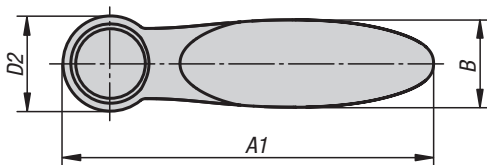
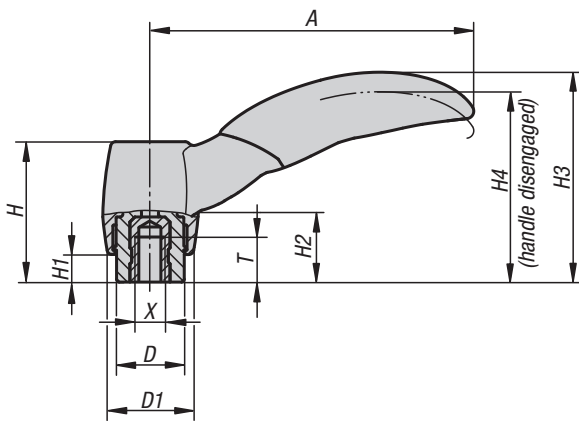
K0252.1041

Note:

Standard colour is black
grey RAL 7021.

On request:

Other internal threads, colours and
special versions.



Press to
disengage

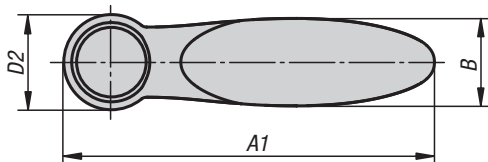
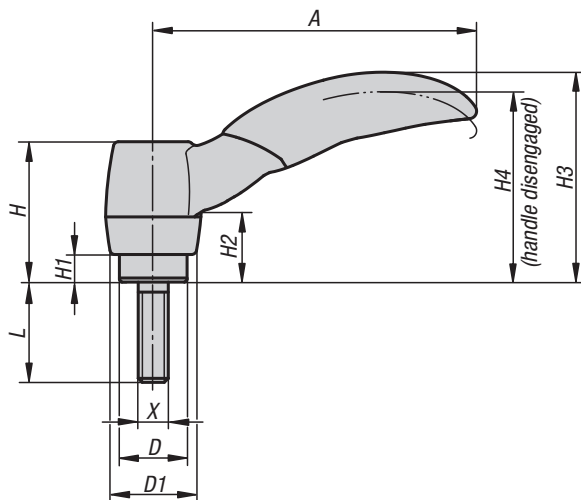


KIPP Clamping lever ECO internal thread

Order No.	Size	X	T	D	D1	D2	H	H1	H2	H3	H4	A	A1	B	No. of teeth
K0252.1041	1	M4	6	10	12,6	14,1	21,7	5	11,3	32	29,1	47,9	55	13	12
K0252.1051	1	M5	6	10	12,6	14,1	21,7	5	11,3	32	29,1	47,9	55	13	12
K0252.2051	2	M5	7,5	13,5	17	19	28	5,5	14	41,9	38	64,5	74	17,5	12
K0252.2061	2	M6	9	13,5	17	19	28	5,5	14	41,9	38	64,5	74	17,5	12
K0252.2081	2	M8	9	13,5	17	19	28	5,5	14	41,9	38	64,5	74	17,5	12
K0252.3081	3	M8	14,5	17	20,4	23,9	40,7	10	23,1	58,1	53,3	81,1	93	22	12
K0252.3101	3	M10	14,5	17	20,4	23,9	40,7	10	23,1	58,1	53,3	81,1	93	22	12

Clamping lever ECO

external thread



Material:

Handle and insert reinforced plastic.
Screw steel 5.8.

Version:

Steel blue chromed.

Sample order:

K0252.1041X10
(include length L)

Note:

Standard colour is black
grey RAL 7021.

On request:

Other external threads, colours and
special versions.

Press to
disengage



KIPP Clamping lever ECO external thread

Order No.	Size	X	D	D1	D2	H	H1	H2	H3	H4	A	A1	B	No. of teeth	L
K0252.1041X	1	M4	10	12,6	14,1	21,7	5	11,3	32	29,1	47,9	55	13	12	10/15/20
K0252.1051X	1	M5	10	12,6	14,1	21,7	5	11,3	32	29,1	47,9	55	13	12	10/15/20/25
K0252.2051X	2	M5	13,5	17	19	28	5,5	14	41,9	38	64,5	74	17,5	12	10/15/20/25/30/40
K0252.2061X	2	M6	13,5	17	19	28	5,5	14	41,9	38	64,5	74	17,5	12	10/15/20/25/30/40
K0252.2081X	2	M8	13,5	17	19	28	5,5	14	41,9	38	64,5	74	17,5	12	10/15/20/25/30/40
K0252.3081X	3	M8	17	20,4	23,9	40,7	10	23,1	58,1	53,3	81,1	93	22	12	20/25/30/40/50/60
K0252.3101X	3	M10	17	20,4	23,9	40,7	10	23,1	58,1	53,3	81,1	93	22	12	20/25/30/40/50/60

Clamping levers ergonomic

internal thread



Material:

Handle:

Hard components reinforced plastic, toothed ring die-cast zinc.

Soft components thermoplastic elastomer.

Steel parts:
grade 5.8.

Version:

Steel parts blue chromed.

Sample order:

K0981.3081

Note:

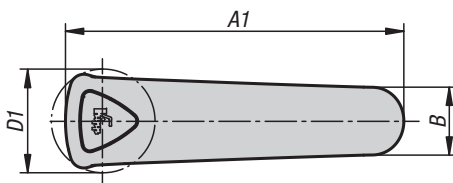
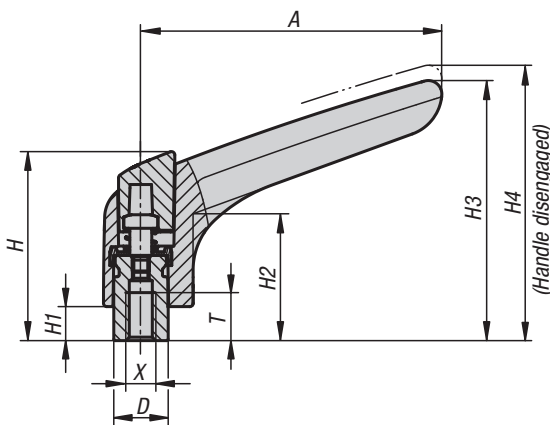
The colour combinations graphite black RAL 9011 (hard components) and black grey RAL 7021 (soft components) are supplied as standard.

The soft components ensure a non-slip grip of the operating part. The closed design offers sufficient protection against dirt. The design was especially developed for ergonomic gripping requirements.

The push button improves disengagement and allows the handle to be easily used.

On request:

Other internal threads, colours and special versions.
Dimension „H1“ available in other lengths at extra charge.

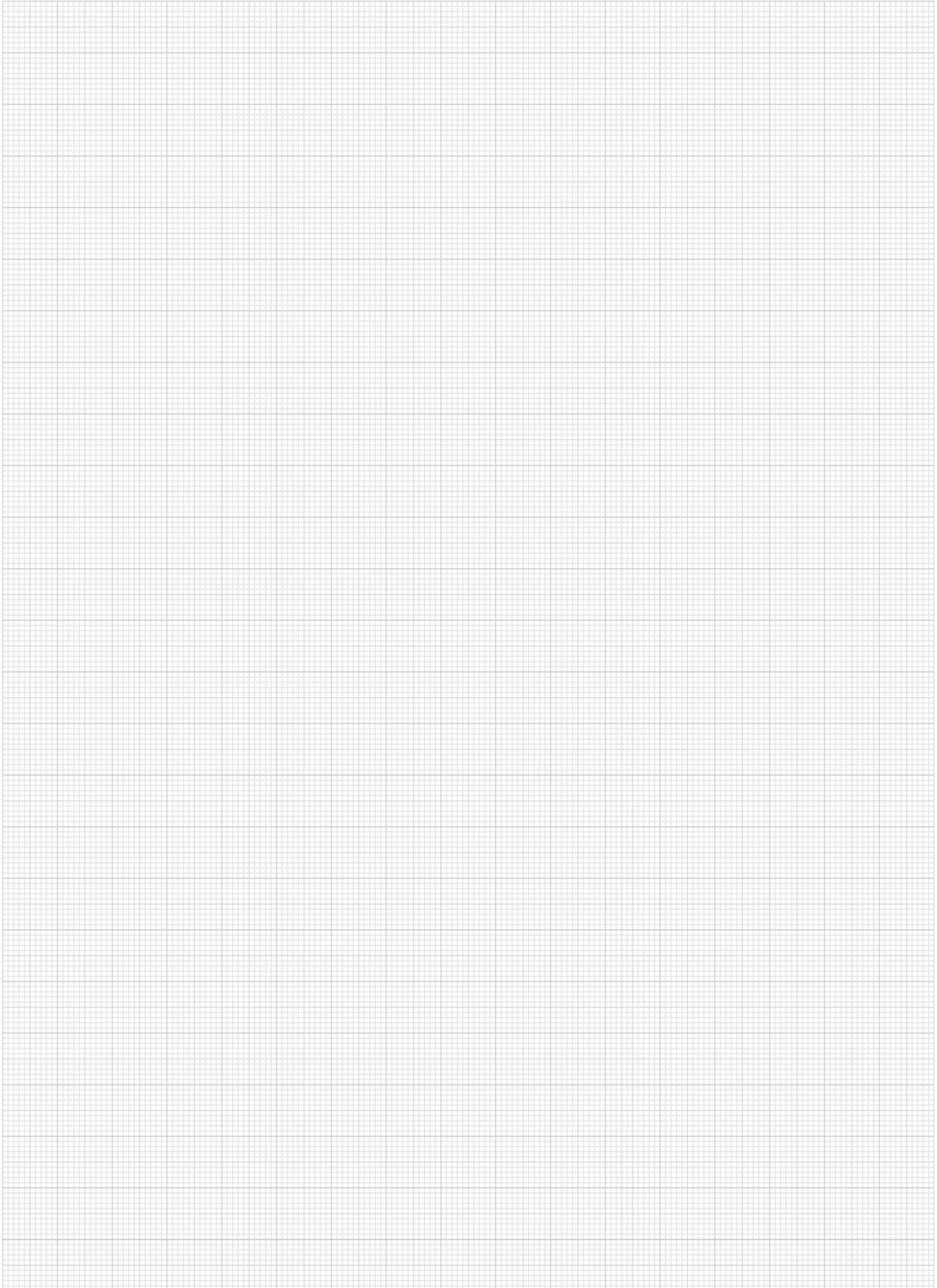


lift to disengage



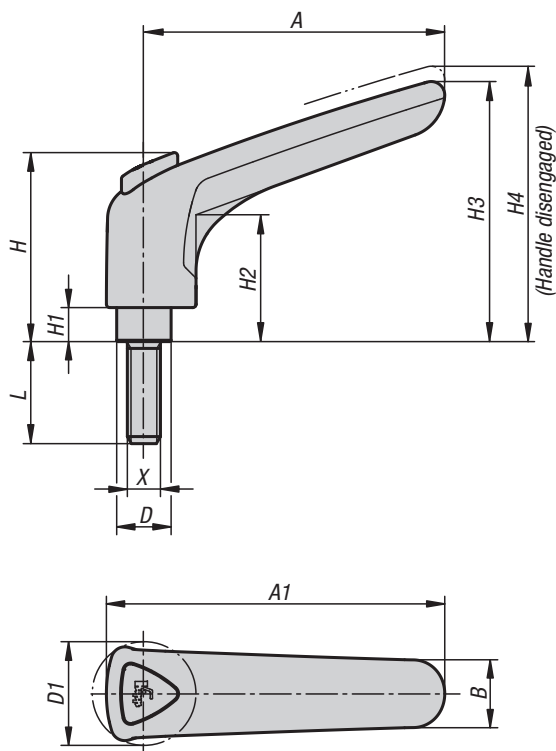
KIPP Clamping lever, ergonomic, internal thread

Order No.	Size	X	T	D	D1	H	H1	H2	H3	H4	A	A1	B	No. of teeth
K0981.3081	3	M8	14	16	30,5	55,6	10	37,3	76,5	81	88,5	99,5	20	22
K0981.3101	3	M10	14	16	30,5	55,6	10	37,3	76,5	81	88,5	99,5	20	22



Clamping levers ergonomic

external thread



Material:

Handle:

Hard components reinforced plastic, toothed ring die-cast zinc.

Soft components thermoplastic elastomer.

Steel parts:
grade 5.8.

Version:

Steel parts blue chromed.

Sample order:

K0981.3081X15

Note:

The colour combinations graphite black RAL 9011 (hard components) and black grey RAL 7021 (soft components) are supplied as standard.

The soft components ensure a non-slip grip of the operating part. The closed design offers sufficient protection against dirt. The design was especially developed for ergonomic gripping requirements.

The push button improves disengagement and allows the handle to be easily used.

On request:

Other external threads, screw lengths, colour combinations and special versions.

Dimension „H1“ available in other lengths on request at extra charge.

lift to
disengage



Clamping levers ergonomic

external thread



KIPP Clamping lever, ergonomic, external thread

Order No.	Size	X	D	D1	H	H1	H2	H3	H4	A	A1	B	No. of teeth	L
K0981.3081X15	3	M8	16	30,5	55,6	10	37,3	76,5	81	88,5	99,5	20	22	15
K0981.3081X20	3	M8	16	30,5	55,6	10	37,3	76,5	81	88,5	99,5	20	22	20
K0981.3081X25	3	M8	16	30,5	55,6	10	37,3	76,5	81	88,5	99,5	20	22	25
K0981.3081X30	3	M8	16	30,5	55,6	10	37,3	76,5	81	88,5	99,5	20	22	30
K0981.3081X35	3	M8	16	30,5	55,6	10	37,3	76,5	81	88,5	99,5	20	22	35
K0981.3081X40	3	M8	16	30,5	55,6	10	37,3	76,5	81	88,5	99,5	20	22	40
K0981.3081X45	3	M8	16	30,5	55,6	10	37,3	76,5	81	88,5	99,5	20	22	45
K0981.3081X50	3	M8	16	30,5	55,6	10	37,3	76,5	81	88,5	99,5	20	22	50
K0981.3081X55	3	M8	16	30,5	55,6	10	37,3	76,5	81	88,5	99,5	20	22	55
K0981.3081X60	3	M8	16	30,5	55,6	10	37,3	76,5	81	88,5	99,5	20	22	60
K0981.3101X15	3	M10	16	30,5	55,6	10	37,3	76,5	81	88,5	99,5	20	22	15
K0981.3101X20	3	M10	16	30,5	55,6	10	37,3	76,5	81	88,5	99,5	20	22	20
K0981.3101X25	3	M10	16	30,5	55,6	10	37,3	76,5	81	88,5	99,5	20	22	25
K0981.3101X30	3	M10	16	30,5	55,6	10	37,3	76,5	81	88,5	99,5	20	22	30
K0981.3101X35	3	M10	16	30,5	55,6	10	37,3	76,5	81	88,5	99,5	20	22	35
K0981.3101X40	3	M10	16	30,5	55,6	10	37,3	76,5	81	88,5	99,5	20	22	40
K0981.3101X45	3	M10	16	30,5	55,6	10	37,3	76,5	81	88,5	99,5	20	22	45
K0981.3101X50	3	M10	16	30,5	55,6	10	37,3	76,5	81	88,5	99,5	20	22	50
K0981.3101X55	3	M10	16	30,5	55,6	10	37,3	76,5	81	88,5	99,5	20	22	55
K0981.3101X60	3	M10	16	30,5	55,6	10	37,3	76,5	81	88,5	99,5	20	22	60

Clamping levers ergonomic

internal thread, steel parts stainless steel



Material:

Handle:
 Hard components reinforced plastic, toothed ring die-cast zinc.
 Soft components thermoplastic elastomer.
 Steel parts:
 Stainless steel, 1.4305.

Version:

Steel parts bright.

Sample order:

K0982.3081

Note:

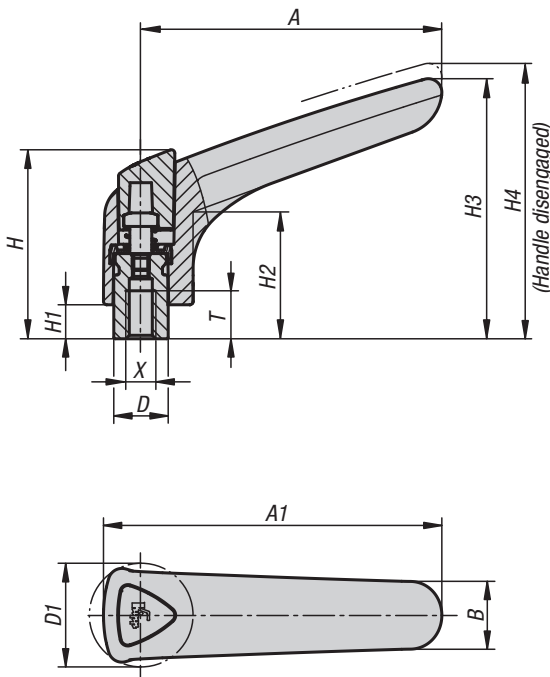
The colour combinations graphite black RAL 9011 (hard components) and black grey RAL 7021 (soft components) are supplied as standard.

The soft components ensure a non-slip grip of the operating part. The closed design offers sufficient protection against dirt. The design was especially developed for ergonomic gripping requirements.

The push button improves disengagement and allows the handle to be easily used.

On request:

Other internal threads, colours and special versions.
 Dimension „H1“ available in other lengths at extra charge.

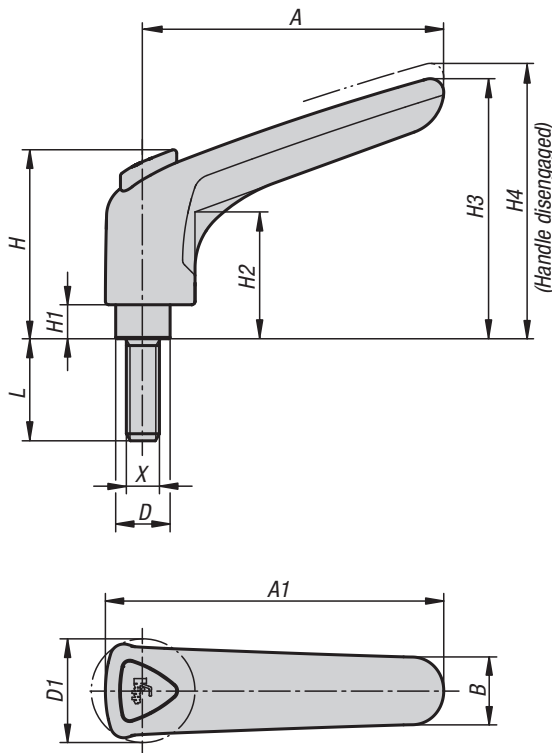


KIPP Clamping levers, ergonomic, internal thread, metal parts stainless steel

Order No.	Size	X	T	D	D1	H	H1	H2	H3	H4	A	A1	B	No. of teeth
K0982.3081	3	M8	14	16	30,5	55,6	10	37,3	76,5	81	88,5	99,5	20	22
K0982.3101	3	M10	14	16	30,5	55,6	10	37,3	76,5	81	88,5	99,5	20	22

Clamping levers ergonomic

external thread, steel parts stainless steel



Material:

Handle:
Hard components reinforced plastic, toothed ring die-cast zinc.
Soft components thermoplastic elastomer.
Steel parts:
Stainless steel, 1.4305.

Version:

Steel parts bright.

Sample order:

K0982.3081X20

Note:

The colour combinations graphite black RAL 9011 (hard components) and black grey RAL 7021 (soft components) are supplied as standard.

The soft components ensure a non-slip grip of the operating part. The closed design offers sufficient protection against dirt. The design was especially developed for ergonomic gripping requirements.

The push button improves disengagement and allows the handle to be easily used.

On request:

Other external threads, screw lengths, colour combinations and special versions.
Dimension „H1“ available in other lengths on request at extra charge.

KIPP Clamping lever, ergonomic, external thread, metal parts stainless steel

Order No.	Size	X	D	D1	H	H1	H2	H3	H4	A	A1	B	No. of teeth	L
K0982.3081X20	3	M8	16	30,5	55,6	10	37,3	76,5	81	88,5	99,5	20	22	20
K0982.3081X25	3	M8	16	30,5	55,6	10	37,3	76,5	81	88,5	99,5	20	22	25
K0982.3081X30	3	M8	16	30,5	55,6	10	37,3	76,5	81	88,5	99,5	20	22	30
K0982.3081X40	3	M8	16	30,5	55,6	10	37,3	76,5	81	88,5	99,5	20	22	40
K0982.3081X50	3	M8	16	30,5	55,6	10	37,3	76,5	81	88,5	99,5	20	22	50
K0982.3081X60	3	M8	16	30,5	55,6	10	37,3	76,5	81	88,5	99,5	20	22	60
K0982.3101X20	3	M10	16	30,5	55,6	10	37,3	76,5	81	88,5	99,5	20	22	20
K0982.3101X25	3	M10	16	30,5	55,6	10	37,3	76,5	81	88,5	99,5	20	22	25
K0982.3101X30	3	M10	16	30,5	55,6	10	37,3	76,5	81	88,5	99,5	20	22	30
K0982.3101X40	3	M10	16	30,5	55,6	10	37,3	76,5	81	88,5	99,5	20	22	40
K0982.3101X50	3	M10	16	30,5	55,6	10	37,3	76,5	81	88,5	99,5	20	22	50
K0982.3101X60	3	M10	16	30,5	55,6	10	37,3	76,5	81	88,5	99,5	20	22	60

Clamping levers with thrust pin

external thread



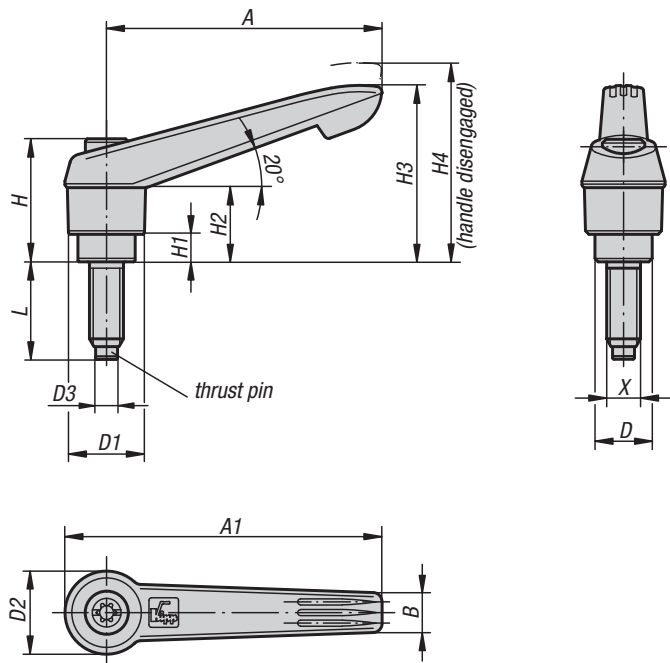
Material:
Handles fibreglass reinforced plastic with die-cast zinc toothed rings.
Steel parts grade 5.8.
Thrust pin, brass.

Version:
Steel parts black oxidised.

Sample order:
K0780.12061X20

Note:
These components are used to prevent marring the workpiece surface.

On request:
Other external threads, screw lengths, clamp lever colours and thrust pin types as well as special versions.
Dimension „H1“ optionally available in other lengths at extra cost.

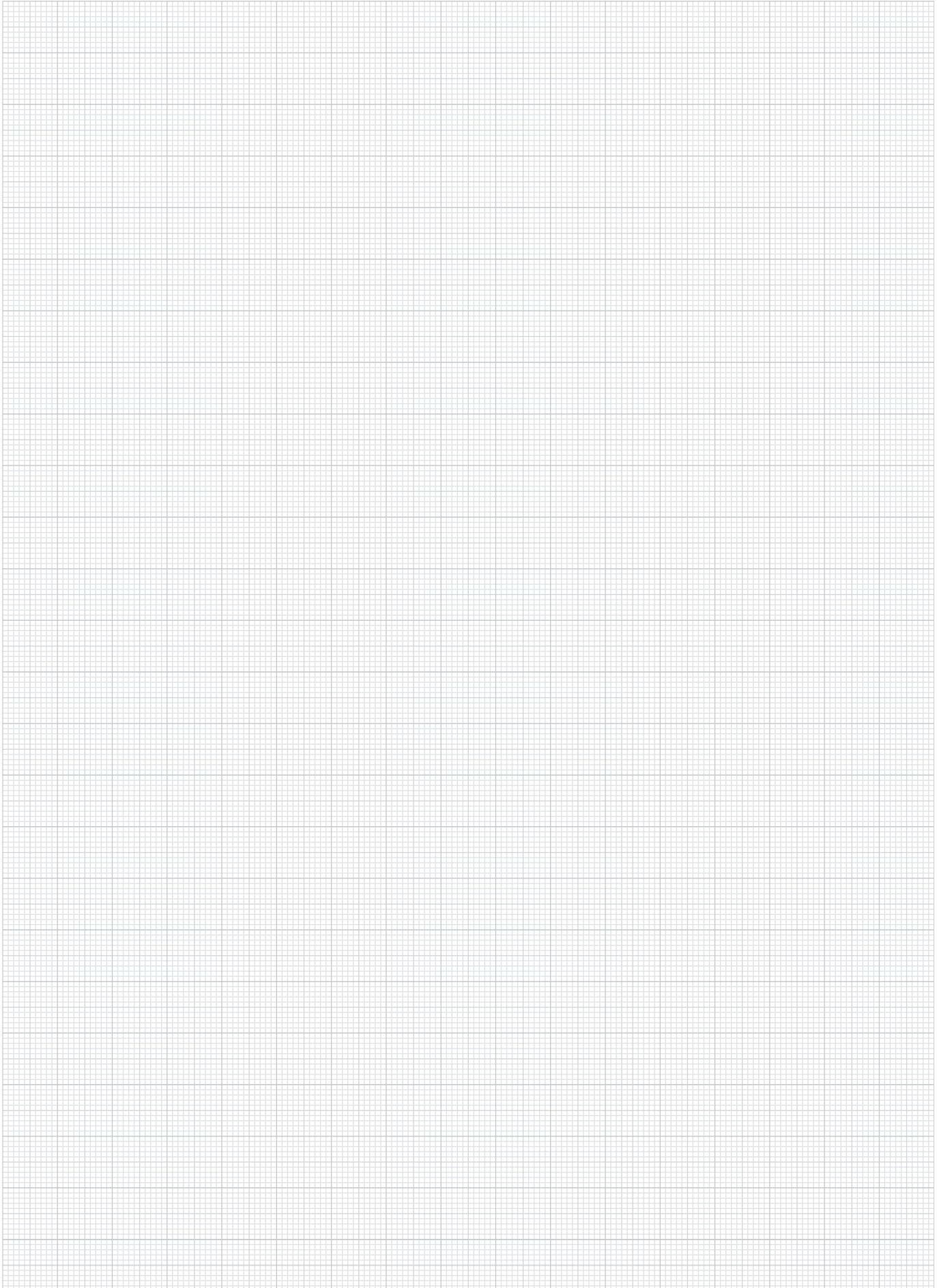


lift to
disengage



KIPP Clamping lever with thrust pin, external thread

Order No.	Colour	Size	X	D	D1	D2	D3	H	H1	H2	H3	H4	A	A1	B	No. of teeth	L
K0780.11051X20	black grey	1	M5	10	13	14,5	3	24,5	4	15	30	33,5	40	47	7,5	16	20
K0780.11051X30	black grey	1	M5	10	13	14,5	3	24,5	4	15	30	33,5	40	47	7,5	16	30
K0780.11051X40	black grey	1	M5	10	13	14,5	3	24,5	4	15	30	33,5	40	47	7,5	16	40
K0780.11051X50	black grey	1	M5	10	13	14,5	3	24,5	4	15	30	33,5	40	47	7,5	16	50
K0780.11061X20	black grey	1	M6	10	13	14,5	4	24,5	4	15	30	33,5	40	47	7,5	16	20
K0780.11061X30	black grey	1	M6	10	13	14,5	4	24,5	4	15	30	33,5	40	47	7,5	16	30
K0780.11061X40	black grey	1	M6	10	13	14,5	4	24,5	4	15	30	33,5	40	47	7,5	16	40
K0780.11061X50	black grey	1	M6	10	13	14,5	4	24,5	4	15	30	33,5	40	47	7,5	16	50
K0780.12061X20	black grey	2	M6	13,5	18	19,5	4	28,5	6,5	17,5	41,5	45,5	65	75	9,5	20	20
K0780.12061X30	black grey	2	M6	13,5	18	19,5	4	28,5	6,5	17,5	41,5	45,5	65	75	9,5	20	30
K0780.12061X40	black grey	2	M6	13,5	18	19,5	4	28,5	6,5	17,5	41,5	45,5	65	75	9,5	20	40
K0780.12061X50	black grey	2	M6	13,5	18	19,5	4	28,5	6,5	17,5	41,5	45,5	65	75	9,5	20	50
K0780.12061X60	black grey	2	M6	13,5	18	19,5	4	28,5	6,5	17,5	41,5	45,5	65	75	9,5	20	60
K0780.12081X20	black grey	2	M8	13,5	18	19,5	5,5	28,5	6,5	17,5	41,5	45,5	65	75	9,5	20	20
K0780.12081X30	black grey	2	M8	13,5	18	19,5	5,5	28,5	6,5	17,5	41,5	45,5	65	75	9,5	20	30
K0780.12081X40	black grey	2	M8	13,5	18	19,5	5,5	28,5	6,5	17,5	41,5	45,5	65	75	9,5	20	40
K0780.12081X50	black grey	2	M8	13,5	18	19,5	5,5	28,5	6,5	17,5	41,5	45,5	65	75	9,5	20	50
K0780.12081X60	black grey	2	M8	13,5	18	19,5	5,5	28,5	6,5	17,5	41,5	45,5	65	75	9,5	20	60
K0780.12101X20	black grey	2	M10	13,5	18	19,5	7	28,5	6,5	17,5	41,5	45,5	65	75	9,5	20	20
K0780.12101X30	black grey	2	M10	13,5	18	19,5	7	28,5	6,5	17,5	41,5	45,5	65	75	9,5	20	30
K0780.12101X40	black grey	2	M10	13,5	18	19,5	7	28,5	6,5	17,5	41,5	45,5	65	75	9,5	20	40
K0780.12101X50	black grey	2	M10	13,5	18	19,5	7	28,5	6,5	17,5	41,5	45,5	65	75	9,5	20	50
K0780.12101X60	black grey	2	M10	13,5	18	19,5	7	28,5	6,5	17,5	41,5	45,5	65	75	9,5	20	60



Tension levers

internal thread



Material:

Steel parts grade 5.8.
Ball knob black plastic.

Version:

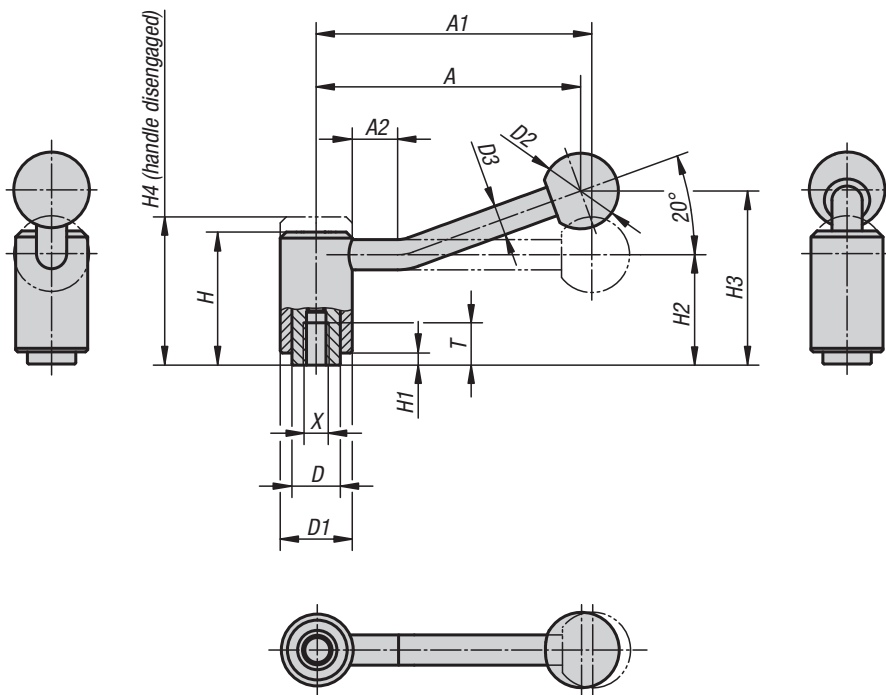
Plastic-coated with fine texture, black

Sample order:

K0108.1082

On request:

Other internal threads and special versions.
Dimensions „H1“, „A“ and „A1“ available in other lengths at extra charge.

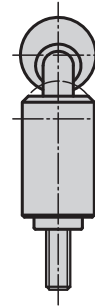
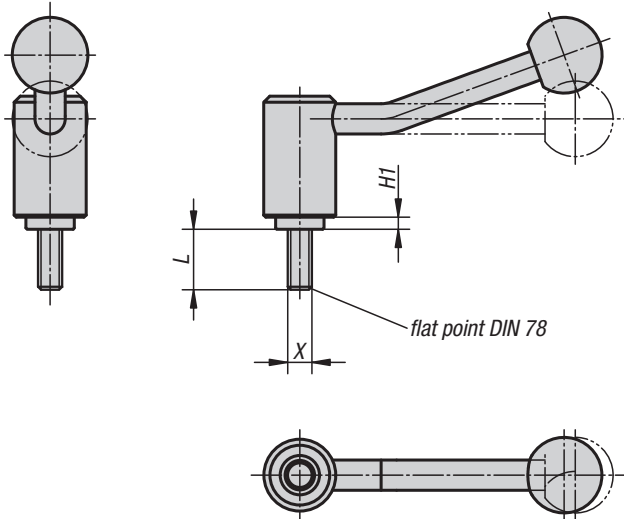


KIPP Tension levers with internal thread

Order No. 0 degree	Order No. 20 degrees	Size	X	T	D	D1	D2	D3	H	H1	H2	H3	H4	A	A1	A2	No. of teeth
K0108.1082	K0108.1081	1	M8	14	16	24	25	10	44,5	4,5	37	-/58,5	49,5	-/88	92/-	-/15	22
K0108.1102	K0108.1101	1	M10	14	16	24	25	10	44,5	4,5	37	-/58,5	49,5	-/88	92/-	-/15	22
K0108.2102	K0108.2101	2	M10	17	19	28	32	12	51,5	5,5	42	-/68,5	57,5	-/106	111/-	-/15	24
K0108.2122	K0108.2121	2	M12	17	19	28	32	12	51,5	5,5	42	-/68,5	57,5	-/106	111/-	-/15	24
K0108.3122	K0108.3121	3	M12	23	23	33	32	13	58	6	47	-/81	65	-/128,5	134,5/-	-/15	26
K0108.3162	K0108.3161	3	M16	23	23	33	32	13	58	6	47	-/81	65	-/128,5	134,5/-	-/15	26
K0108.4162	K0108.4161	4	M16	27	30	41	32	13	68,5	7,5	56,5	-/89,5	76,5	-/128,5	134/-	-/15	36
K0108.4202	K0108.4201	4	M20	27	30	41	32	13	68,5	7,5	56,5	-/89,5	76,5	-/128,5	134/-	-/15	36
K0108.4242	K0108.4241	4	M24	27	30	41	32	13	68,5	7,5	56,5	-/89,5	76,5	-/128,5	134/-	-/15	36

Tension levers

external thread



Material:

Steel parts grade 5.8.
Ball knob black plastic.

Version:

Plastic-coated with fine texture, black

Sample order:

K0108.1082X30 (include length L)

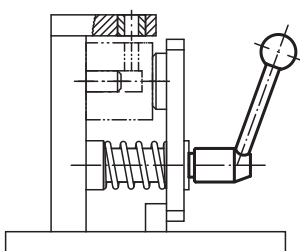
Note:

Missing dimensions see tension levers with internal thread.

On request:

Other external threads, screw lengths and special versions.
Dimensions „H1“, „A“ and „A1“ available in other lengths at extra charge.

example:



KIPP Tension levers with external thread

Order No. 0 degree	Order No. 20 degrees	Size	X	H1	L
K0108.1082X	K0108.1081X	1	M8	4,5	15/20/25/30/40/50/60
K0108.1102X	K0108.1101X	1	M10	4,5	15/20/25/30/40/50/60
K0108.1122X	K0108.1121X	1	M12	4,5	15/20/25/30/40/50/60
K0108.2122X	K0108.2121X	2	M12	5,5	20/25/30/40/50/60
K0108.3122X	K0108.3121X	3	M12	6	20/25/30/40/50/60/70/80/90
K0108.3162X	K0108.3161X	3	M16	6	20/25/30/40/50/60/70/80/90
K0108.4162X	K0108.4161X	4	M16	7,5	30/40/50/60/70/80/90
K0108.4202X	K0108.4201X	4	M20	7,5	30/40/50/60/70/80/90
K0108.4242X	K0108.4241X	4	M24	7,5	30/40/50/60/70/80/90

Tension levers

internal thread, stainless steel

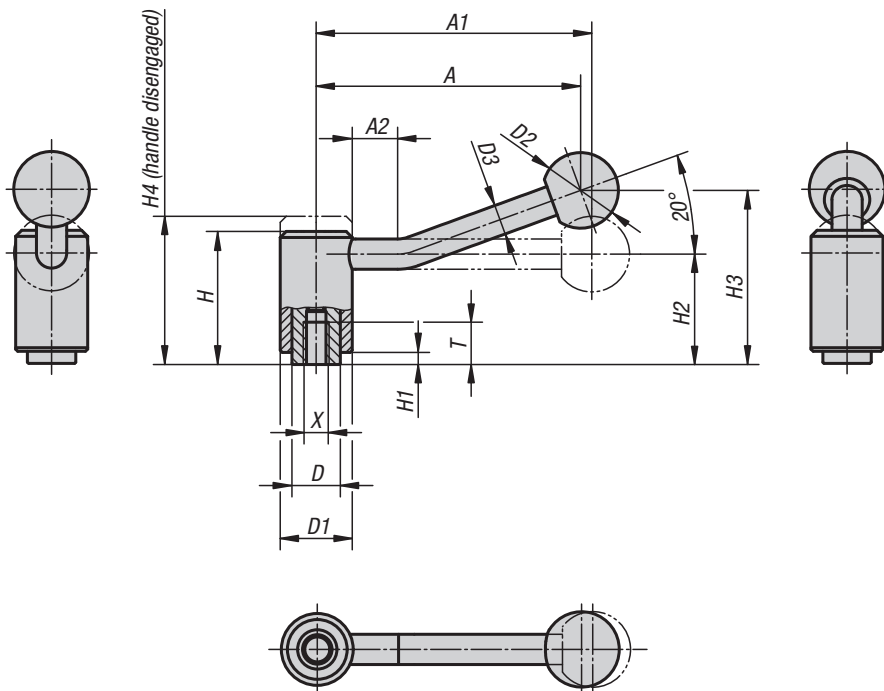


Material:
Steel parts stainless steel 1.4305.
Ball knob black plastic.

Version:
Steel parts bright.
Ball knob polished.

Sample order:
K0109.1082

On request:
Other internal threads and special versions.
Dimensions „H1“, „A“ and „A1“ available in other lengths at extra charge.



KIPP Tension levers, internal thread, stainless steel

Order No. 0 degree	Order No. 20 degrees	Size	X	T	D	D1	D2	D3	H	H1	H2	H3	H4	A	A1	A2	No. of teeth
K0109.1082	K0109.1081	1	M8	14	16	24	25	10	44,5	4,5	37	-/58,5	49,5	-/88	92/-	-/15	22
K0109.1102	K0109.1101	1	M10	14	16	24	25	10	44,5	4,5	37	-/58,5	49,5	-/88	92/-	-/15	22
K0109.2102	K0109.2101	2	M10	17	19	28	32	12	51,5	5,5	42	-/68,5	57,5	-/106	111/-	-/15	24
K0109.2122	K0109.2121	2	M12	17	19	28	32	12	51,5	5,5	42	-/68,5	57,5	-/106	111/-	-/15	24
K0109.3122	K0109.3121	3	M12	23	23	33	32	13	58	6	47	-/81	65	-/128,5	134,5/-	-/15	26
K0109.3162	K0109.3161	3	M16	23	23	33	32	13	58	6	47	-/81	65	-/128,5	134,5/-	-/15	26
K0109.4162	K0109.4161	4	M16	27	30	41	32	13	68,5	7,5	56,5	-/89,5	76,5	-/128,5	134/-	-/15	36
K0109.4202	K0109.4201	4	M20	27	30	41	32	13	68,5	7,5	56,5	-/89,5	76,5	-/128,5	134/-	-/15	36

Tension levers

external thread, stainless steel



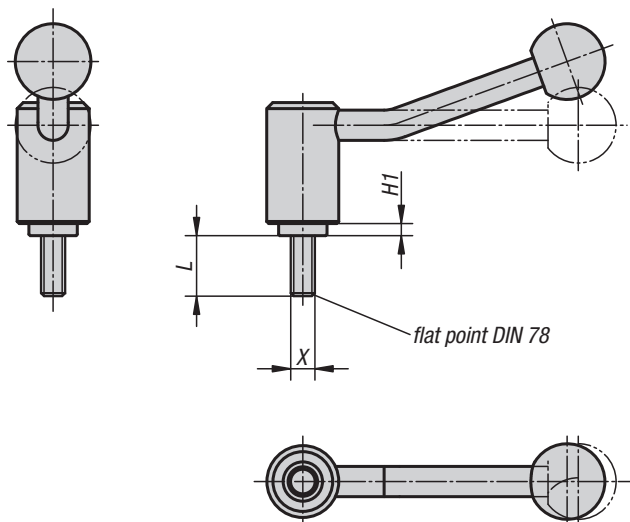
Material:
Steel parts stainless steel 1.4305.
Ball knob black plastic.

Version:
Steel parts bright.
Ball knob polished.

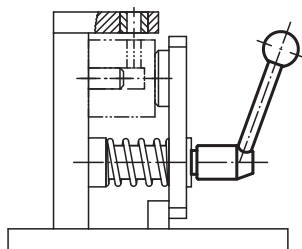
Sample order:
K0109.1082X30 (include length L)

Note:
Missing dimensions see tension levers with internal thread.

On request:
Other external threads, screw lengths and special versions.
Dimensions „H1“, „A“ and „A1“ available in other lengths at extra charge.



example:

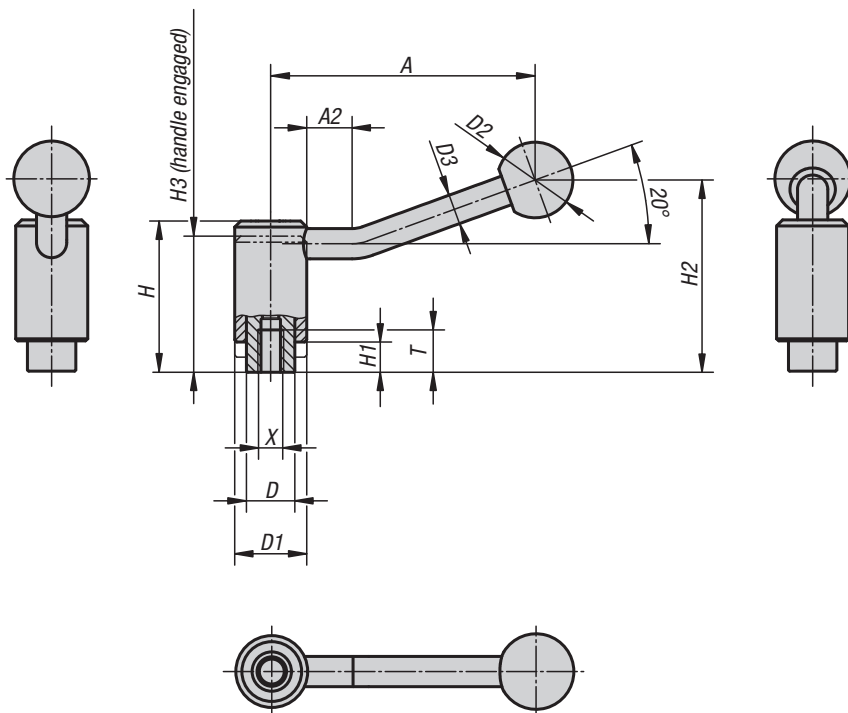


KIPP Tension levers, external thread, stainless steel

Order No. 0 degree	Order No. 20 degrees	Size	X	H1	L
K0109.1082X	K0109.1081X	1	M8	4,5	15/20/25/30/40/50/60
K0109.1102X	K0109.1101X	1	M10	4,5	15/20/25/30/40/50/60
K0109.1122X	K0109.1121X	1	M12	4,5	15/20/25/30/40/50/60
K0109.2122X	K0109.2121X	2	M12	5,5	20/25/30/40/50/60
K0109.3122X	K0109.3121X	3	M12	6	20/25/30/40/50/60/70/80/90
K0109.3162X	K0109.3161X	3	M16	6	20/25/30/40/50/60/70/80/90
K0109.4162X	K0109.4161X	4	M16	7,5	30/40/50/60/70/80/90
K0109.4202X	K0109.4201X	4	M20	7,5	30/40/50/60/70/80/90

Tension levers safety

internal thread



Material:

Steel parts grade 5.8.
Ball knob black plastic.

Version:

Plastic-coated with fine texture, black

Sample order:

K0112.1108

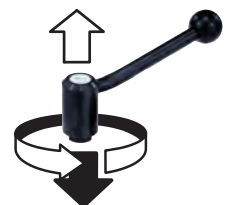
Method of operation:

To operate safety tension levers, press the handle down until the teeth are fully engaged. The object concerned can now be clamped or released. Spring pressure releases the locking mechanism immediately, thereby restoring the safety function (handle can be turned effortlessly).

On request:

Special versions.
Dimensions „H1“ and „A“ available in other lengths at extra charge.

press to engage
(safety function)

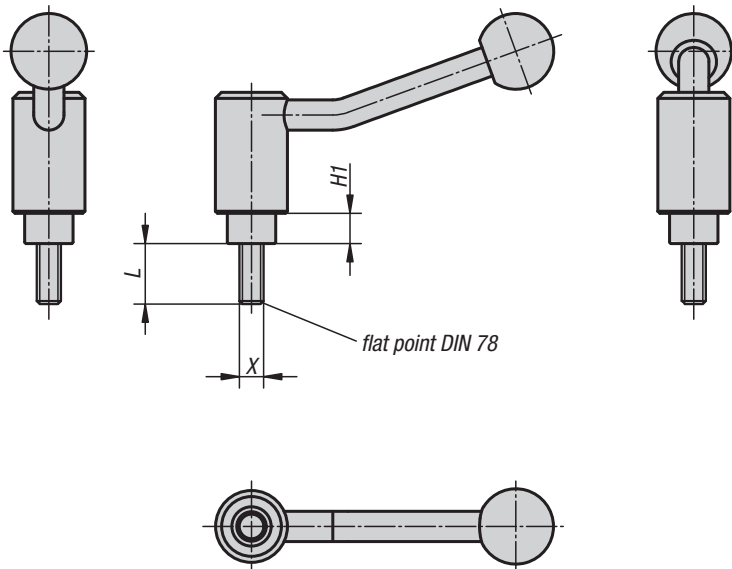


KIPP Tension levers, safety, with internal thread

Order No.	Size	X	T	D	D1	D2	D3	H	H1	H2	H3	A	A2	No. of teeth
K0112.1108	1	M8	14	16	24	25	10	49,5	9,5	63,5	44,5	88	15	22
K0112.1110	1	M10	14	16	24	25	10	49,5	9,5	63,5	44,5	88	15	22
K0112.1210	2	M10	17	19	28	32	12	56,5	10,5	74	51	106	15	24
K0112.1212	2	M12	17	19	28	32	12	56,5	10,5	74	51	106	15	24
K0112.1312	3	M12	23	23	33	32	13	64,5	12,5	87,5	57,5	128,5	15	26
K0112.1316	3	M16	23	23	33	32	13	64,5	12,5	87,5	57,5	128,5	15	26

Tension levers safety

external thread



Material:

Steel parts grade 5.8.
Ball knob black plastic.

Version:

Plastic-coated with fine texture, black

Sample order:

K0112.1108X30 (include length L)

Note:

Missing dimensions see safety tension levers with internal thread.

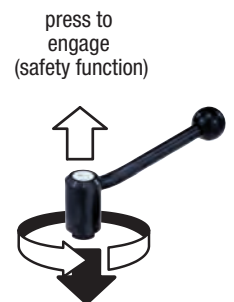
Method of operation:

To operate safety tension levers, press the handle down until the teeth are fully engaged. The object concerned can now be clamped or released. Spring pressure releases the locking mechanism immediately, thereby restoring the safety function (handle can be turned effortlessly).

On request:

Other external threads, screw lengths and special versions.

Dimensions „H1“ and „A“ available in other lengths at extra charge.



KIPP Tension levers, safety, with external thread

Order No.	X	Size	H1	L
K0112.1108X	M8	1	9,5	20/25/30/40/50/60
K0112.1110X	M10	1	9,5	20/25/30/40/50/60
K0112.1112X	M12	1	9,5	20/25/30/40/50/60
K0112.1212X	M12	2	10,5	20/25/30/40/50/60
K0112.1312X	M12	3	12,5	25/30/40/50/60
K0112.1316X	M16	3	12,5	25/30/40/50/60

Tension levers flat

internal thread



Material:

Steel parts grade 5.8.
Ball knob black plastic.

Version:

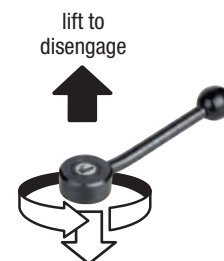
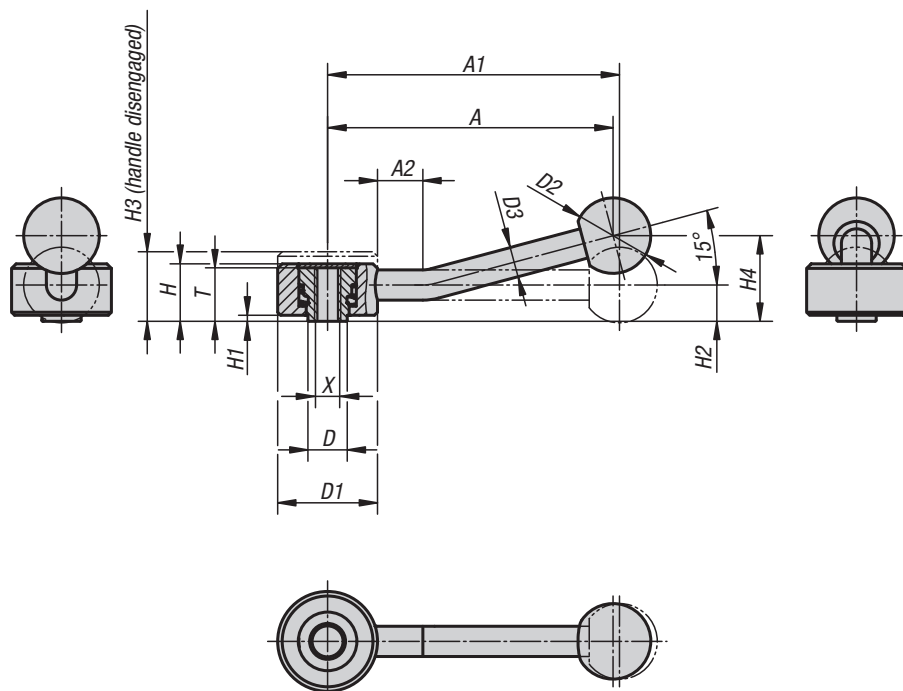
Black oxidised.

Sample order:

K0114.1061

On request:

Other internal threads and special versions.
Dimensions „H1“, „A“ and „A1“ available in other lengths at extra charge.

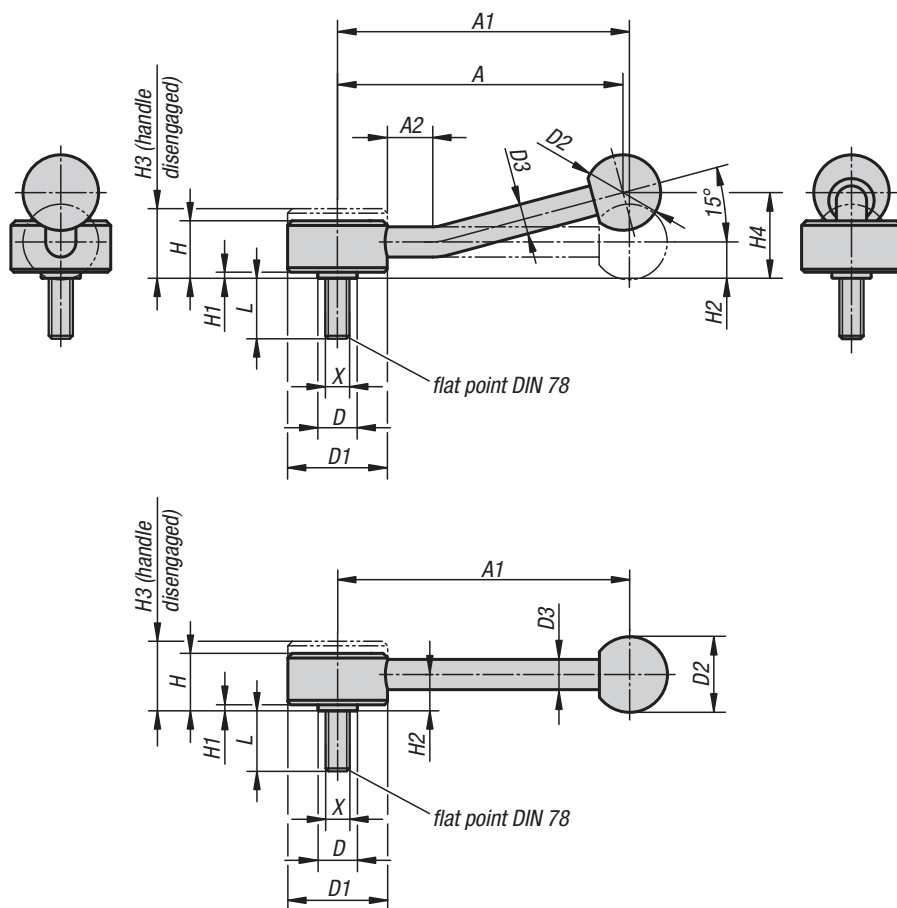


KIPP Tension levers, flat, with internal thread

Order No. 0 degree	Order No. 15 degrees	Size	X	T	D	D1	D2	D3	H	H1	H2	H3	H4	A	A1	A2	No. of teeth
K0114.1061	K0114.1062	1	M6	18	13,5	33	25	10	19	2	12	23	-/29	-/100	102/-	-/15	26
K0114.1081	K0114.1082	1	M8	18	13,5	33	25	10	19	2	12	23	-/29	-/100	102/-	-/15	26
K0114.2101	K0114.2102	2	M10	21	19	41	30	12	22	2	13,5	26	-/38	-/127	131/-	-/15	30
K0114.2121	K0114.2122	2	M12	21	19	41	30	12	22	2	13,5	26	-/38	-/127	131/-	-/15	30
K0114.3121	K0114.3122	3	M12	27	23	45	37	14	28	2	17	33	-/48	-/145	148/-	-/15	36
K0114.3161	K0114.3162	3	M16	27	23	45	37	14	28	2	17	33	-/48	-/145	148/-	-/15	36

Tension levers flat

external thread



Material:

Steel parts grade 5.8.
Ball knob black plastic.

Version:

Black oxidised.

Sample order:

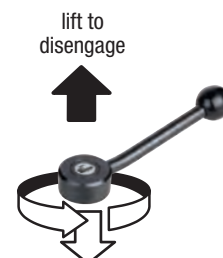
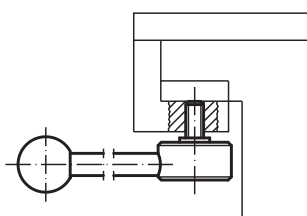
K0114.1081X30 (include length L)

On request:

Other external threads, screw lengths and special versions.

Dimensions „H1“, „A“ and „A1“ available in other lengths at extra charge.

example:



KIPP Tension levers, flat, with external thread

Order No. 0 degree	Order No. 15 degrees	Size	X	D	D1	D2	D3	H	H1	H2	H3	H4	A	A1	A2	No. of teeth	L
K0114.1081X	K0114.1082X	1	M8	13,5	33	25	10	19	2	12	23	-/29	-/100	102/-	-/15	20	15/20/25/30/40/50/60
K0114.1101X	K0114.1102X	1	M10	13,5	33	25	10	19	2	12	23	-/29	-/100	102/-	-/15	20	15/20/25/30/40/50/60
K0114.2101X	K0114.2102X	2	M10	19	41	30	12	22	2	13,5	26	-/38	-/127	131/-	-/15	24	20/25/30/40/50/60
K0114.2121X	K0114.2122X	2	M12	19	41	30	12	22	2	13,5	26	-/38	-/127	131/-	-/15	24	20/25/30/40/50/60
K0114.3121X	K0114.3122X	3	M12	23	45	37	14	28	2	17	33	-/48	-/145	148/-	-/15	26	20/25/30/40/50/60
K0114.3161X	K0114.3162X	3	M16	23	45	37	14	28	2	17	33	-/48	-/145	148/-	-/15	26	20/25/30/40/50/60

Tension levers flat

internal thread, stainless steel



Material:

Steel parts stainless steel 1.4305.
Ball knob black plastic.

Version:

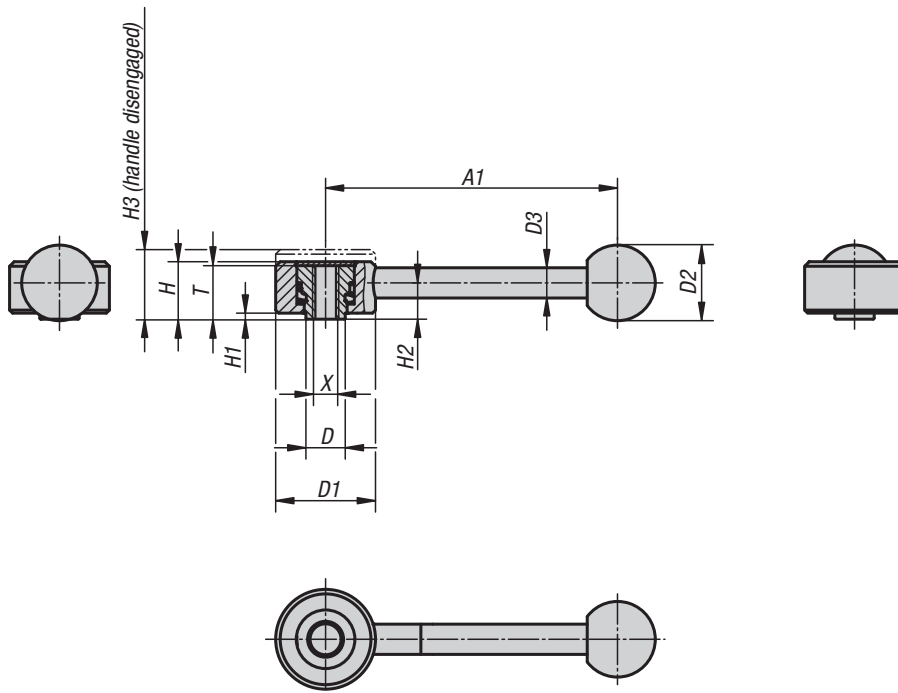
Steel parts bright.

Sample order:

K0129.1081

On request:

Other internal threads and special versions.
Dimensions „H1“ and „A1“ available in other lengths at extra charge.

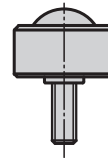
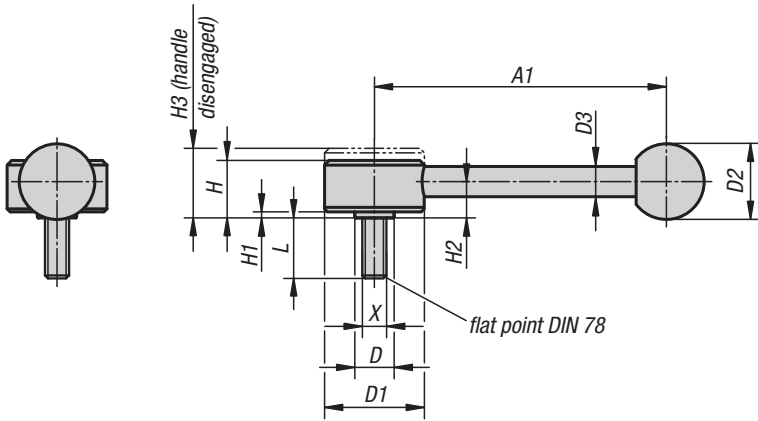


KIPP Tension levers, flat, internal thread, stainless steel

Order No.	Size	X	T	D	D1	D2	D3	H	H1	H2	H3	A1	No. of teeth
K0129.1081	1	M8	18	13,5	33	25	10	19	2	12	23	102	26
K0129.2101	2	M10	21	19	41	30	12	22	2	13,5	26	131	30
K0129.2121	2	M12	21	19	41	30	12	22	2	13,5	26	131	30
K0129.3161	3	M16	27	23	45	37	14	28	2	17	33	148	36

Tension levers flat

external thread, stainless steel



Material:

Steel parts stainless steel 1.4305.
Ball knob black plastic.

Version:

Steel parts bright.

Sample order:

K0129.1081X40 (include length L)

On request:

Other external threads, screw lengths and special versions.
Dimensions „H1“ and „A1“ available in other lengths at extra charge.



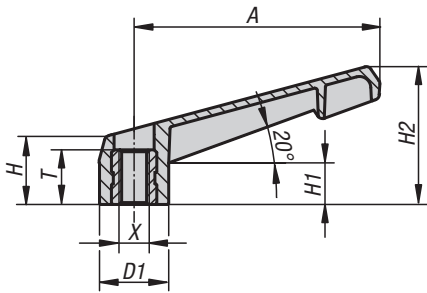
KIPP Tension levers flat, external thread, stainless steel

Order No.	Size	X	D	D1	D2	D3	H	H1	H2	H3	A1	No. of teeth	L
K0129.1081X	1	M8	13,5	33	25	10	19	2	12	23	102	26	30/40/50
K0129.2101X	2	M10	19	41	30	12	22	2	13,5	26	131	30	30/40/50/60
K0129.2121X	2	M12	19	41	30	12	22	2	13,5	26	131	30	30/40/50/60
K0129.3161X	3	M16	23	45	37	14	28	2	17	33	148	36	40/50/60

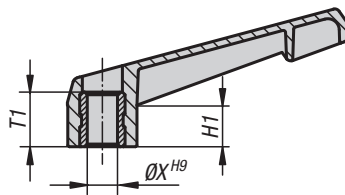
Clamping levers non-adjustable



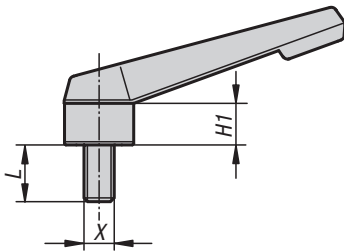
Non-adjustable clamping lever with internal thread



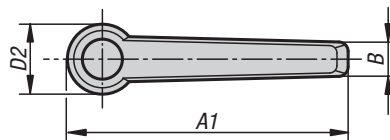
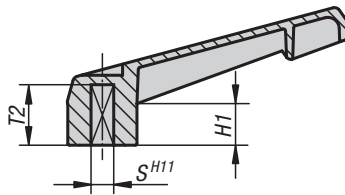
Non-adjustable clamping lever with reamed hole



Non-adjustable clamping lever with external thread



Non-adjustable clamping lever with square socket



Material:
Handle fibreglass reinforced plastic.
Steel parts grade 5.8.

Version:
Handle black grey.
Steel parts blue chromed.

Sample order:
K0175.105X20 (include length L)

Note:
Non-adjustable clamping levers can be used for simple applications. Generally there must be enough space so that the lever can be turned 360°.

On request:
Special versions.



KIPP Non-adjustable clamping levers with internal thread

Order No.	Size	X	T	D1	D2	H	H1	H2	A	A1	B
K0175.104000	1	M4	10	13,8	14	17	11	27	40	47	8
K0175.105000	1	M5	10	13,8	14	17	11	27	40	47	8
K0175.106000	1	M6	10	13,8	14	17	11	27	40	47	8
K0175.208000	2	M8	14	18,3	18,5	18	11	36,5	65	75	9
K0175.310000	3	M10	14	21,8	22	22	14	45	80	91	11
K0175.412000	4	M12	18	25,8	26	26	17	54	95	108	13
K0175.516000	5	M16	18	30,8	31	31	21	63	110	126	16

KIPP Non-adjustable clamping levers with external thread

Order No.	Size	X	D1	D2	H	H1	H2	A	A1	B	L
K0175.105X	1	M5	13,8	14	17	11	27	40	47	8	20
K0175.106X	1	M6	13,8	14	17	11	27	40	47	8	20
K0175.208X	2	M8	18,3	18,5	18	11	36,5	65	75	9	15/20/30
K0175.310X	3	M10	21,8	22	22	14	45	80	91	11	30
K0175.412X	4	M12	25,8	26	26	17	54	95	108	13	30
K0175.516X	5	M16	30,8	31	31	21	63	110	126	16	40

KIPP Non-adjustable clamping levers with reamed hole

Order No.	Size	X	T1	D1	D2	H	H1	H2	A	A1	B
K0175.106001	1	6	10	13,8	14	17	11	27	40	47	8
K0175.208001	2	8	14	18,3	18,5	18	11	36,5	65	75	9
K0175.310001	3	10	14	21,8	22	22	14	45	80	91	11
K0175.412001	4	12	18	25,8	26	26	17	54	95	108	13
K0175.516001	5	16	18	30,8	31	31	21	63	110	126	16

KIPP Non-adjustable clamping levers with square socket

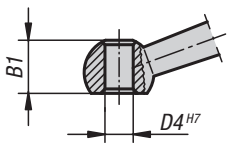
Order No.	Size	S	T2	D1	D2	H	H1	H2	A	A1	B
K0175.105002	1	5	13	13,8	14	17	11	27	40	47	8
K0175.206002	2	6	16	18,3	18,5	18	11	36,5	65	75	9
K0175.308002	3	8	18	21,8	22	22	14	45	80	91	11
K0175.410002	4	10	20	25,8	26	26	17	54	95	108	13
K0175.512002	5	12	26	30,8	31	31	21	63	110	126	16

Levers

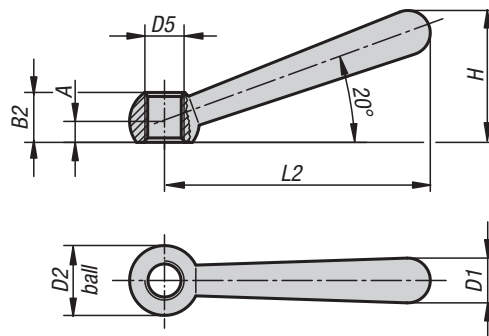
DIN 99



Form L
reamed



Form N
tapped

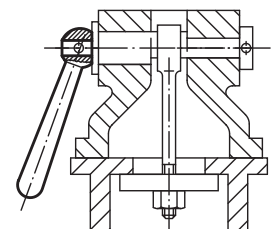


Material:
Steel.

Version:
Polished.

Sample order:
K0174.212

Note:
To fix the lever to another element, gluing is often more cost-effective than pinning.



KIPP Levers DIN 99

Order No. Form L	Order No. Form N	A	D4	D5	B1	B2	D1	D2 ball	L2	H
K0174.106	K0174.206	4	6/-	-/M6	9,5/-	-/9,5	8	12	48	24
K0174.108	K0174.208	5	8/-	-/M8	12/-	-/12	10	16	60	30,5
K0174.110	K0174.210	6	10/-	-/M10	14,5/-	-/14,5	13	20	76	38
K0174.112	K0174.212	7,5	12/-	-/M12	18,5/-	-/18,5	16	25	95	47
K0174.116	K0174.216	10	16/-	-/M16	24/-	-/24	20	32	119	59,5
K0174.120	K0174.220	12,5	20/-	-/M20	30/-	-/30	25	40	152	75,5

Tension levers



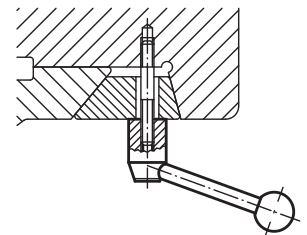
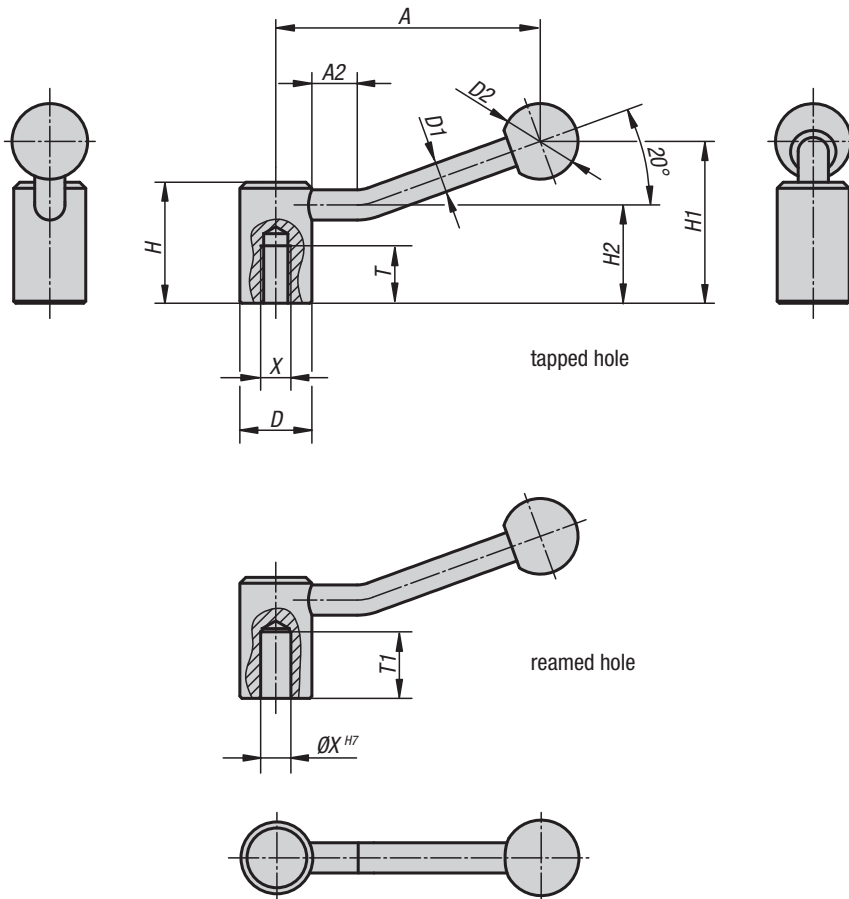
Material:
Steel parts grade 5.8.
Ball knob black plastic.

Version:
Black oxidised.

Sample order:
K0176.208

Note:
Tension levers can be used for simple clamping or control operations.
Where applicable, there must be enough space available so that the grip can be rotated 360°.

On request:
Other internal threads, reamed holes and special versions.
Dimension „A“ available in other lengths at extra charge.



KIPP Tension levers

Order No.	Version	Size	X	T	T1	D	D1	D2	H	H1	H2	A	A2
K0176.208	internal thread	1	M8	18	-	24	10	25	40	52,5	32,5	84,5	15
K0176.210	internal thread	1	M10	19	-	24	10	25	40	52,5	32,5	84,5	15
K0176.212	internal thread	2	M12	20	-	28	12	32	46	61	36,5	100	15
K0176.216	internal thread	3	M16	23	-	33	13	32	52	72	41	121	15
K0176.220	internal thread	4	M20	26	-	41	13	32	61	80	49	123	15
K0176.108	reamed hole	1	8	-	22	24	10	25	40	52,5	32,5	84,5	15
K0176.110	reamed hole	1	10	-	22	24	10	25	40	52,5	32,5	84,5	15
K0176.112	reamed hole	2	12	-	25	28	12	32	46	61	36,5	100	15
K0176.114	reamed hole	2	14	-	25	28	12	32	46	61	36,5	100	15
K0176.116	reamed hole	3	16	-	28	33	13	32	52	72	41	121	15
K0176.118	reamed hole	3	18	-	28	33	13	32	52	72	41	121	15
K0176.120	reamed hole	4	20	-	32	41	13	32	61	80	49	123	15

Tension levers flat



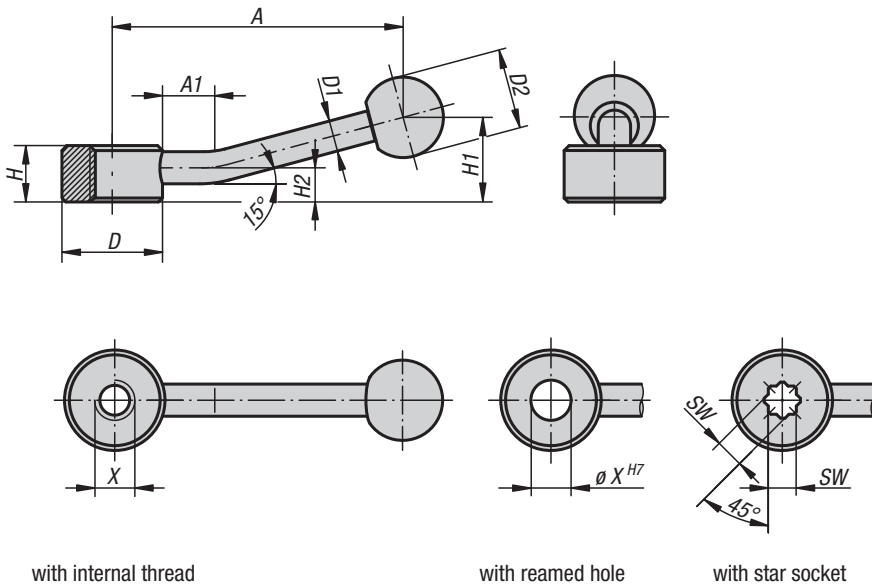
Material:
Steel parts grade 5.8.
Ball knob black duroplastic PF 31

Version:
Black oxidised.

Sample order:
K0177.206

Note:
Flat tension levers can be used for simple clamping or control operations. Generally there must be enough space so that the handle can be turned 360°. The version with star socket is designed to allow a 45° change of position.

On request:
Other internal threads, reamed holes and star sockets. Dimension „A“ available in other lengths at extra charge.



with internal thread

with reamed hole

with star socket



KIPP Tension levers flat with internal thread

Order No.	Version	Size	X	D	D1	D2	H	H1	H2	A	A1
K0177.206	internal thread	1	M6	25	8	20	14	22	8,5	75	15
K0177.208	internal thread	1	M8	25	8	20	14	22	8,5	75	15
K0177.210	internal thread	1	M10	25	8	20	14	22	8,5	75	15
K0177.212	internal thread	2	M12	33	10	25	17	27	10	100	15
K0177.216	internal thread	2	M16	33	10	25	17	27	10	100	15
K0177.220	internal thread	3	M20	41	12	30	20	36	11,5	128	15
K0177.224	internal thread	3	M24	41	12	30	20	36	11,5	128	15

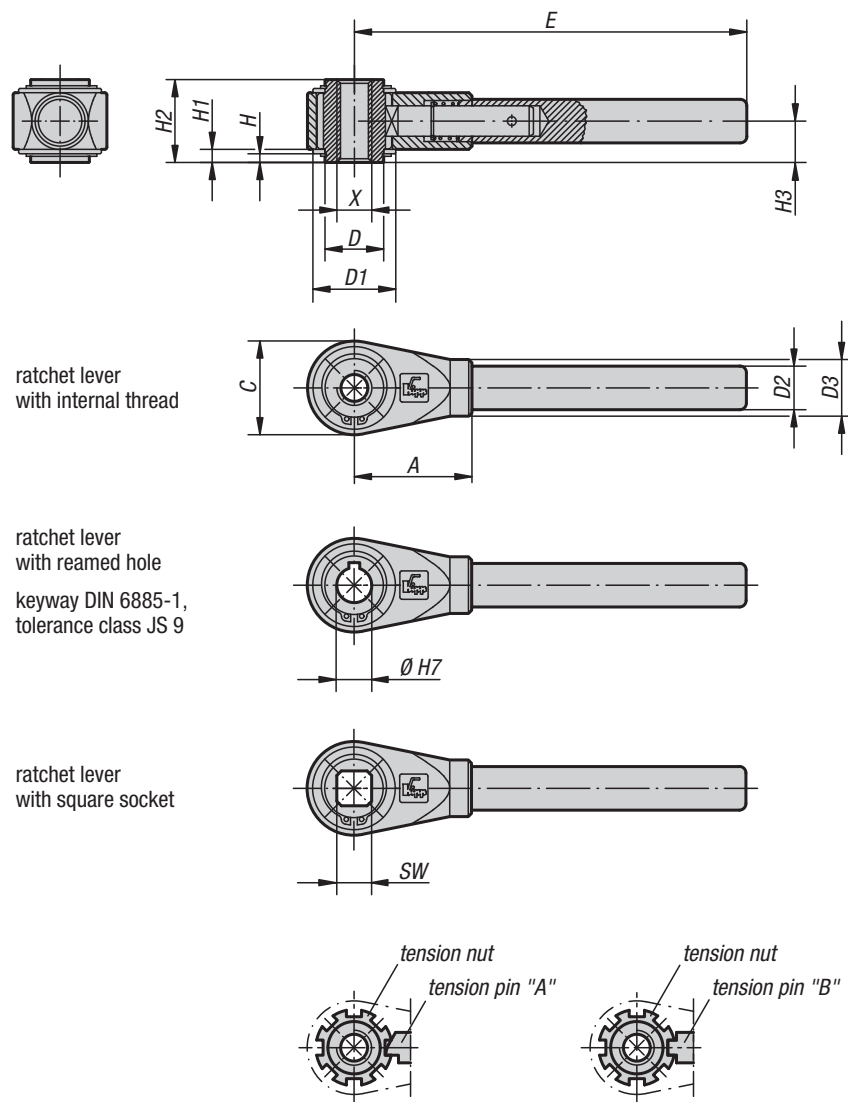
KIPP Tension lever flat with reamed hole

Order No.	Version	Size	X	D	D1	D2	H	H1	H2	A	A1
K0177.106	reamed hole	1	6	25	8	20	14	22	8,5	75	15
K0177.108	reamed hole	1	8	25	8	20	14	22	8,5	75	15
K0177.110	reamed hole	1	10	25	8	20	14	22	8,5	75	15
K0177.112	reamed hole	2	12	33	10	25	17	27	10	100	15
K0177.116	reamed hole	2	16	33	10	25	17	27	10	100	15
K0177.120	reamed hole	3	20	41	12	30	20	36	11,5	128	15
K0177.124	reamed hole	3	24	41	12	30	20	36	11,5	128	15

KIPP Tension lever flat with star socket

Order No.	Version	Size	SW	D	D1	D2	H	H1	H2	A	A1
K0177.305	star socket	1	5,5	25	8	20	14	22	8,5	75	15
K0177.307	star socket	1	7	25	8	20	14	22	8,5	75	15
K0177.309	star socket	2	9	33	10	25	17	27	10	100	15
K0177.311	star socket	2	11	33	10	25	17	27	10	100	15
K0177.314	star socket	3	14	41	12	30	20	36	11,5	128	15
K0177.319	star socket	3	19	41	12	30	20	36	11,5	128	15

Ratchet levers



Material:

Housing carbon steel, tension nut and tension pin case-hardened steel.

Version:

Black oxidised.
Matt-finished or high-polish chrome-plated versions available at extra charge.

Sample order:

K0128.316

Note:

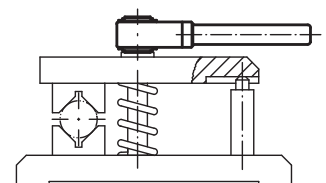
Tension Pin A standard version (for ratchet action):
Use for clamping and releasing in limited space and when considerable travel is involved. In order to change the tightening direction, the handle must be reversed by 180°.

Tension Pin B special version:

Use for clamping and releasing in limited space and when short travel is involved. The handle is not reversed in order to change the tightening direction. It must be pulled out before it can be engaged in the next slot.

On request:

Other internal threads, reamed holes and square sockets.
Dimension „E“ available in other lengths at extra charge.
Special version: Tension pin B.





KIPP Ratchet levers with internal thread

Order No.	Size	X	D	D1	D2	D3	H	H1	H2	H3	C	A	E	No. of index slots
K0128.310	1	M10	22	33	17	22	3	4,5	31	15,5	36	48	150	7
K0128.312	1	M12	22	33	17	22	3	4,5	31	15,5	36	48	150	7
K0128.314	2	M14	27	38	20	26	4	6	38	19	43	54	180	8
K0128.316	2	M16	27	38	20	26	4	6	38	19	43	54	180	8
K0128.318	3	M18	35	45	24	30	4	6	42	21	51	70	230	8
K0128.320	3	M20	35	45	24	30	4	6	42	21	51	70	230	8
K0128.322	4	M22	42	56	28	35	4	6	47	23,5	61	80	300	9
K0128.324	4	M24	42	56	28	35	4	6	47	23,5	61	80	300	9
K0128.327	4	M27	42	56	28	35	4	6	47	23,5	61	80	300	9
K0128.330	5	M30	60	75	32	38	5	7,5	53	26,5	82	110	400	11
K0128.336	5	M36	60	75	32	38	5	7,5	53	26,5	82	110	400	11
K0128.342	5	M42	60	75	32	38	5	7,5	53	26,5	82	110	400	11

KIPP Ratchet levers with reamed hole

Order No.	Size	Loc. hole Ø H7 with keyway DIN 6885-1	D	D1	D2	D3	H	H1	H2	H3	C	A	E	No. of index slots
K0128.412	1	12	22	33	17	22	3	4,5	31	15,5	36	48	150	7
K0128.414	2	14	27	38	20	26	4	6	38	19	43	54	180	8
K0128.415	2	15	27	38	20	26	4	6	38	19	43	54	180	8
K0128.416	2	16	27	38	20	26	4	6	38	19	43	54	180	8
K0128.418	3	18	35	45	24	30	4	6	42	21	51	70	230	8
K0128.420	3	20	35	45	24	30	4	6	42	21	51	70	230	8
K0128.422	4	22	42	56	28	35	4	6	47	23,5	61	80	300	9
K0128.425	4	25	42	56	28	35	4	6	47	23,5	61	80	300	9
K0128.427	4	27	42	56	28	35	4	6	47	23,5	61	80	300	9
K0128.430	5	30	60	75	32	38	5	7,5	53	26,5	82	110	400	11
K0128.436	5	36	60	75	32	38	5	7,5	53	26,5	82	110	400	11

KIPP Ratchet levers with square socket

Order No.	Size	Square socket SW	D	D1	D2	D3	H	H1	H2	H3	C	A	E	No. of index slots
K0128.510	1	10	22	33	17	22	3	4,5	31	15,5	36	48	150	7
K0128.512	1	12	22	33	17	22	3	4,5	31	15,5	36	48	150	7
K0128.513	2	13	27	38	20	26	4	6	38	19	43	54	180	8
K0128.514	2	14	27	38	20	26	4	6	38	19	43	54	180	8
K0128.517	3	17	35	45	24	30	4	6	42	21	51	70	230	8
K0128.519	4	19	42	56	28	35	4	6	47	23,5	61	80	300	9
K0128.520	4	20	42	56	28	35	4	6	47	23,5	61	80	300	9
K0128.522	4	22	42	56	28	35	4	6	47	23,5	61	80	300	9
K0128.524	4	24	42	56	28	35	4	6	47	23,5	61	80	300	9
K0128.530	5	30	60	75	32	38	5	7,5	53	26,5	82	110	400	11
K0128.532	5	32	60	75	32	38	5	7,5	53	26,5	82	110	400	11

